

# DATA SHEET



## Single Phase Induction Motor - Squirrel Cage

Customer :

Product line : W22 JM Pump Single-Phase Product code : 15881748

Frame	: 182/4JM	Locked rotor time	: 18s (cold) 10s (hot)
Output	: 1 HP (0.75 kW)	Temperature rise	: 80 K
Poles	: 6	Duty cycle	: Cont.(S1)
Frequency	: 60 Hz	Ambient temperature	: -20°C to +40°C
Rated voltage	: 208-230 V	Altitude	: 1000 m.a.s.l.
Rated current	: 6.75-7.49 A	Protection degree	: IP55
L. R. Amperes	: 57.4-63.7 A	Cooling method	: IC411 - TEFC
LRC	: 8.5x(Code N)	Mounting	: F-1
No load current	: 4.95-6.75 A	Rotation <sup>1</sup>	: Both (CW and CCW)
Rated speed	: 1185 rpm	Noise level <sup>2</sup>	: 60.0 dB(A)
Slip	: 1.25 %	Starting method	: Direct On Line
Rated torque	: 0.612 kgfm	Approx. weight <sup>3</sup>	: 45.0 kg
Locked rotor torque	: 320 %		
Breakdown torque	: 380 %		
Insulation class	: F		
Service factor	: 1.15		
Moment of inertia (J)	: 0.0238 kgm <sup>2</sup>		

Output	25%	50%	75%	100%	Foundation loads	
Efficiency (%)	0.000	50.5	59.5	66.0	Max. traction	: 26 kgf
Power Factor	0.00	0.51	0.59	0.66	Max. compression	: 71 kgf

	Drive end	Non drive end
Bearing type	: 6307 ZZ	6206 ZZ
Sealing	: V'Ring	V'Ring
Lubrication interval	: 0 h	0 h
Lubricant amount	: 0 g	0 g
Lubricant type	: Mobil Polyrex EM	

### Notes

This revision replaces and cancel the previous one, which must be eliminated.

- (1) Looking the motor from the shaft end.
- (2) Measured at 1m and with tolerance of +3dB(A).
- (3) Approximate weight subject to changes after manufacturing process.
- (4) At 100% of full load.

These are average values based on tests with sinusoidal power supply, subject to the tolerances stipulated in NEMA MG-1.

Rev.	Changes Summary	Performed	Checked	Date
Performed by		Page		Revision
Checked by		1 / 2		
Date	30/10/2024			

# LOAD PERFORMANCE CURVE

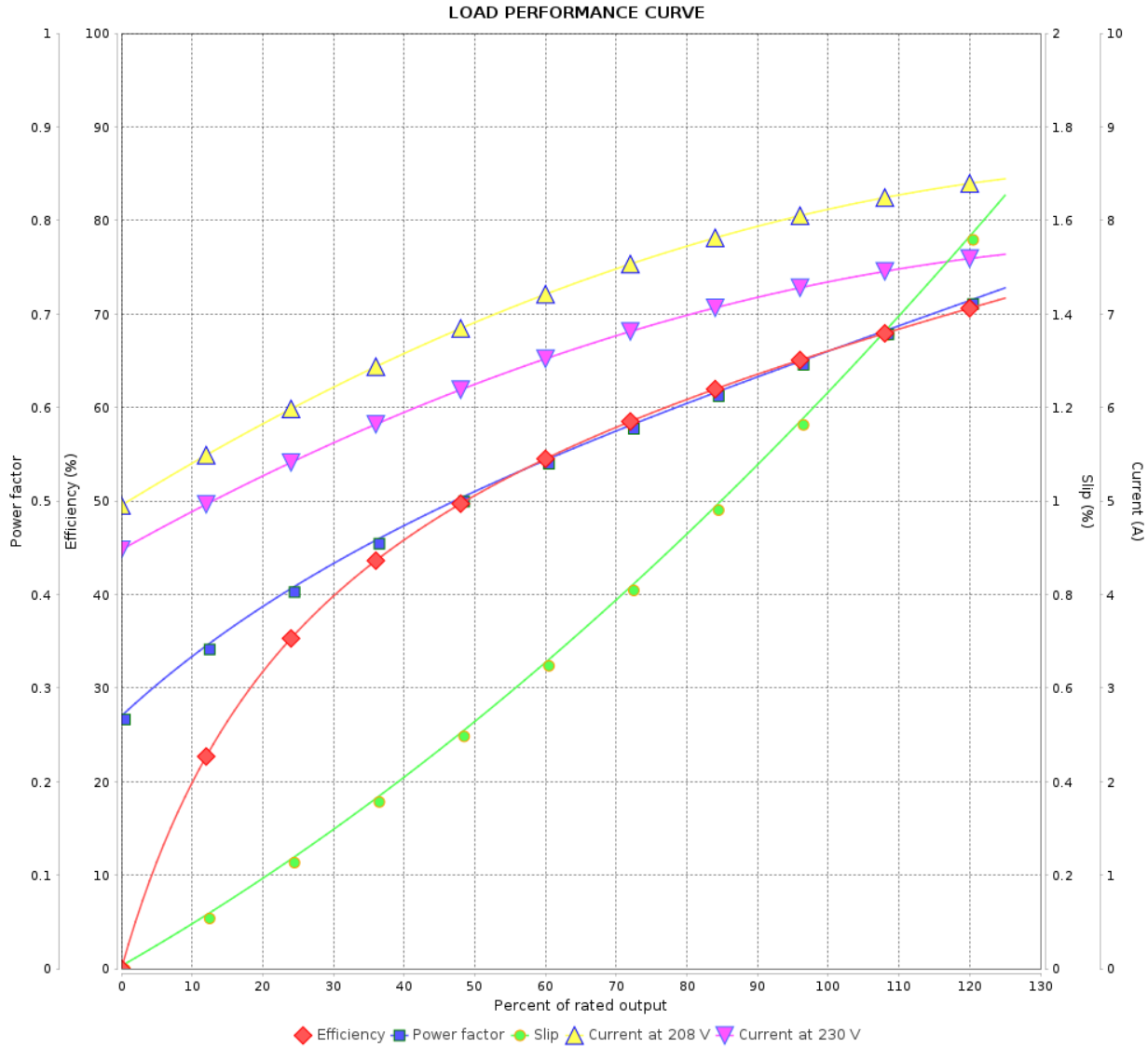
Single Phase Induction Motor - Squirrel Cage



Customer :

Product line : W22 JM Pump Single-Phase

Product code : 15881748



Performance : 208-230 V 60 Hz 6P

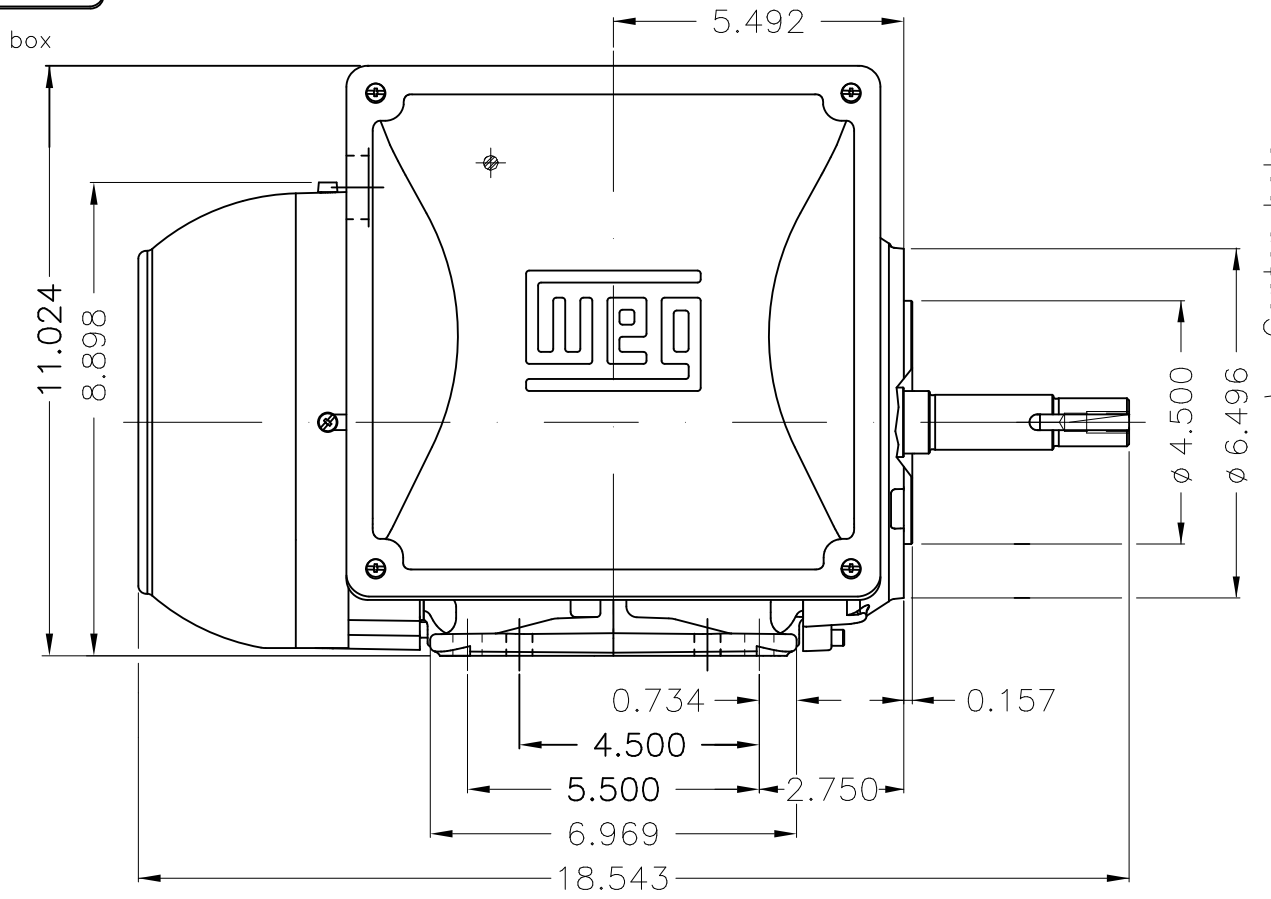
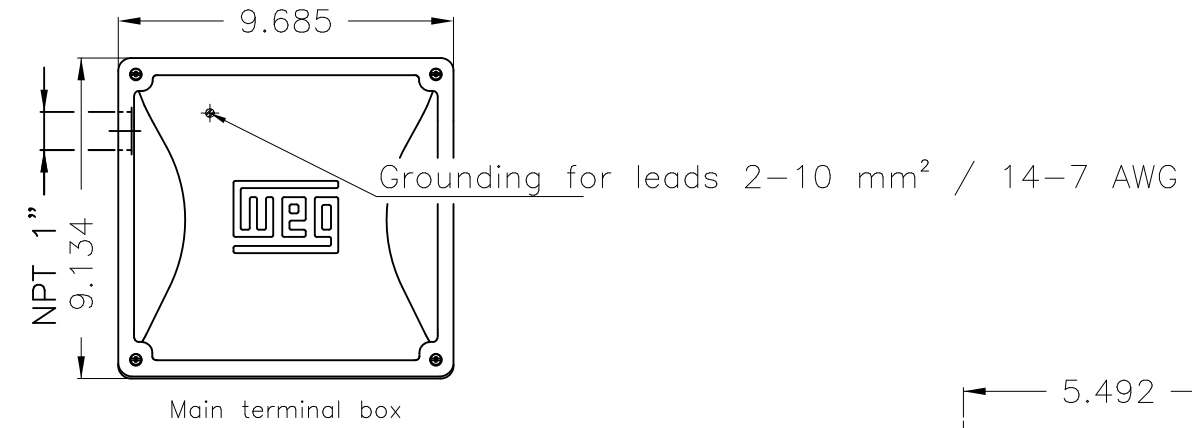
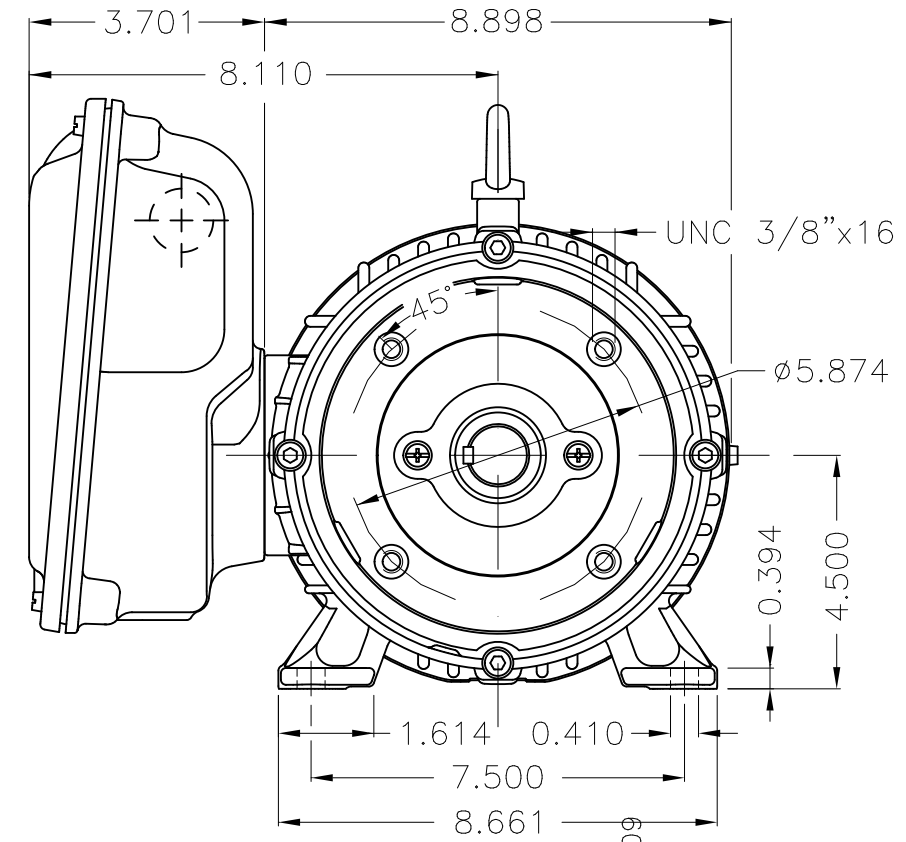
Rated current : 6.75-7.49 A  
 LRC : 8.5  
 Rated torque : 0.612 kgfm  
 Locked rotor torque : 320 %  
 Breakdown torque : 380 %  
 Rated speed : 1185 rpm

Moment of inertia (J) : 0.0238 kgm<sup>2</sup>  
 Duty cycle : Cont.(S1)  
 Insulation class : F  
 Service factor : 1.15  
 Temperature rise : 80 K

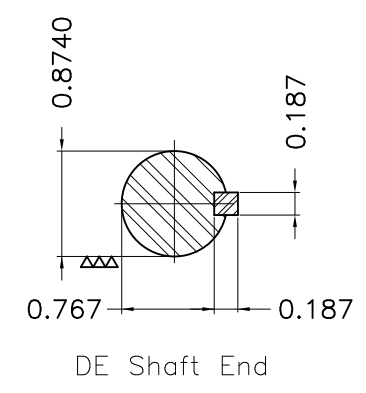
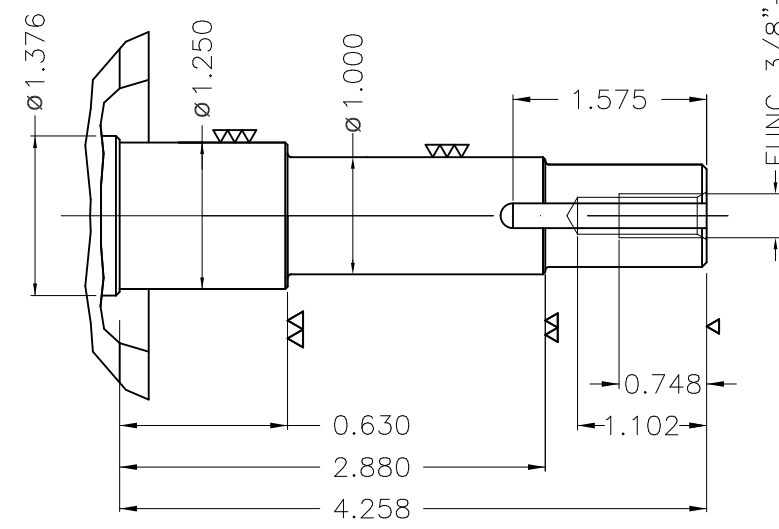
Rev.	Changes Summary	Performed	Checked	Date
Performed by			Page 2 / 2	Revision
Checked by				
Date	30/10/2024			

1 2 3 4 5 6

A  
B  
C  
D  
E



Center hole  
EUNC 3/8"-16 WEG WPR-7309



1 HP 06 Poles 60 Hz

Mounting NEMA F-1									
Mounting B34R(D)									
ECM	LOC	SUMMARY OF MODIFICATIONS				HYBRISUSER			00
EXECUTED	HYBRISUSER	SINGLE PH. MOTOR W22 CLOSE COUPLED PUMP JM TYPE				EXECUTED	CHECKED	RELEASED	DATE
CHECKED		FRAME 182/4JM IP55 TEFC				PREVIEW			
RELEASED						WDD 00			
REL. DATE		WMO	Jaragua do Sul	Product Engineering	SHEET		1 / 1		

