

# DATA SHEET



## Three Phase Induction Motor - Squirrel Cage

Customer :

Product line : W40 JP Pump NEMA Premium Efficiency Three-Phase      Product code : 15860071

Frame	: 324/6JP	Locked rotor time	: 30s (cold) 17s (hot)
Output	: 30 HP (22 kW)	Temperature rise	: 80 K
Poles	: 6	Duty cycle	: Cont.(S1)
Frequency	: 60 Hz	Ambient temperature	: -20°C to +40°C
Rated voltage	: 575 V	Altitude	: 1000 m.a.s.l.
Rated current	: 28.8 A	Protection degree	: IP23
L. R. Amperes	: 181 A	Cooling method	: IC01 - ODP
LRC	: 6.3x(Code G)	Mounting	: F-1
No load current	: 12.1 A	Rotation <sup>1</sup>	: Both (CW and CCW)
Rated speed	: 1182 rpm	Noise level <sup>2</sup>	: 62.0 dB(A)
Slip	: 1.50 %	Starting method	: Direct On Line
Rated torque	: 18.4 kgfm	Approx. weight <sup>3</sup>	: 240 kg
Locked rotor torque	: 200 %		
Breakdown torque	: 240 %		
Insulation class	: F		
Service factor	: 1.25		
Moment of inertia (J)	: 0.4029 kgm <sup>2</sup>		
Design	: B		

Output	50%	75%	100%	Foundation loads
Efficiency (%)	92.4	93.0	93.6	Max. traction
Power Factor	0.66	0.77	0.82	Max. compression

	Drive end	Non drive end
Bearing type	: 6312 Z C3	6211 Z C3
Sealing	: Without Bearing Seal	Without Bearing Seal
Lubrication interval	: 20000 h	20000 h
Lubricant amount	: 21 g	11 g
Lubricant type	: Mobil Polyrex EM	

Notes

This revision replaces and cancel the previous one, which must be eliminated.

- (1) Looking the motor from the shaft end.
- (2) Measured at 1m and with tolerance of +3dB(A).
- (3) Approximate weight subject to changes after manufacturing process.
- (4) At 100% of full load.

These are average values based on tests with sinusoidal power supply, subject to the tolerances stipulated in NEMA MG-1.

Rev.	Changes Summary	Performed	Checked	Date
Performed by		Page		Revision
Checked by		1 / 2		
Date	30/10/2024			

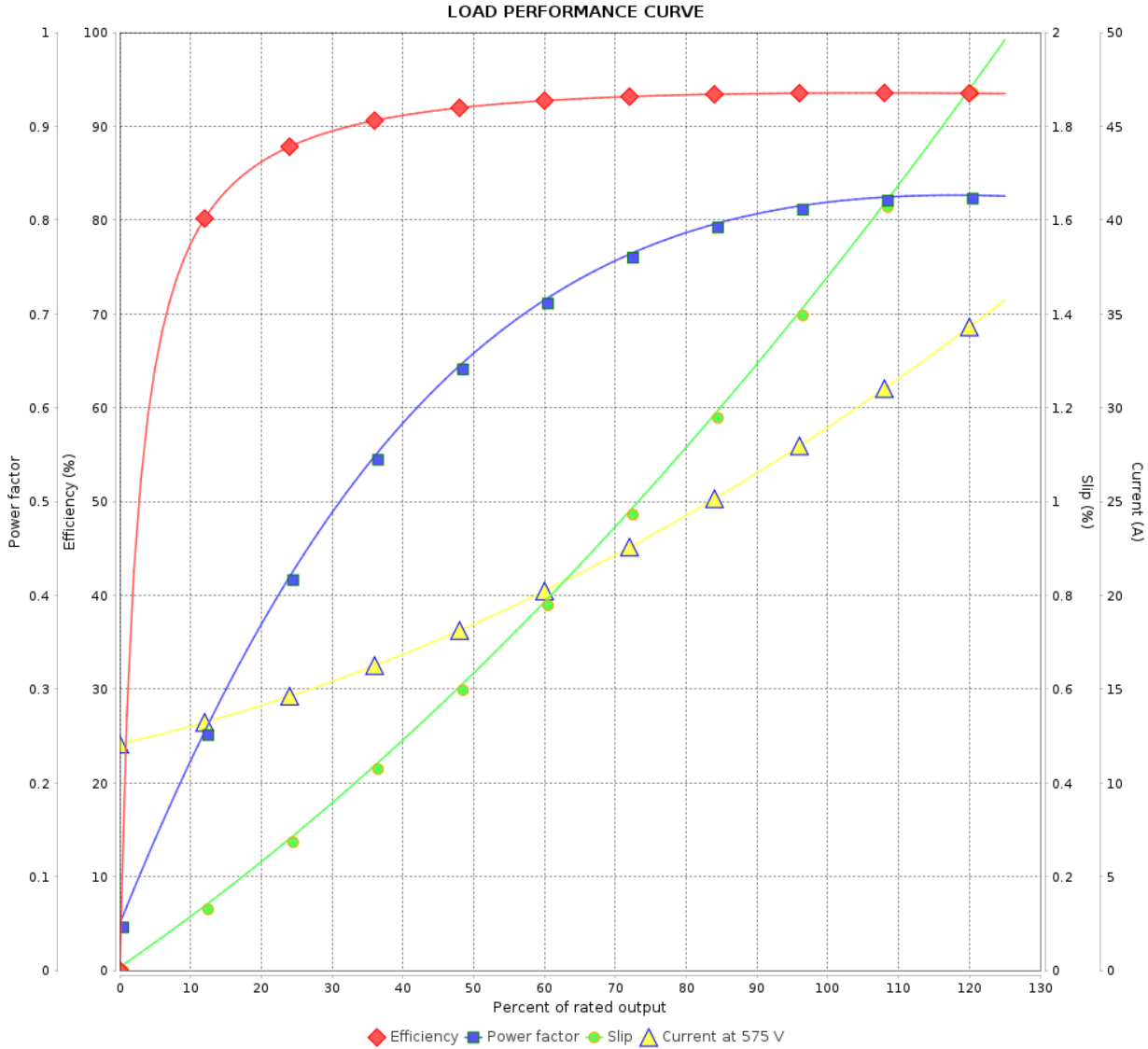
# LOAD PERFORMANCE CURVE

Three Phase Induction Motor - Squirrel Cage



Customer :

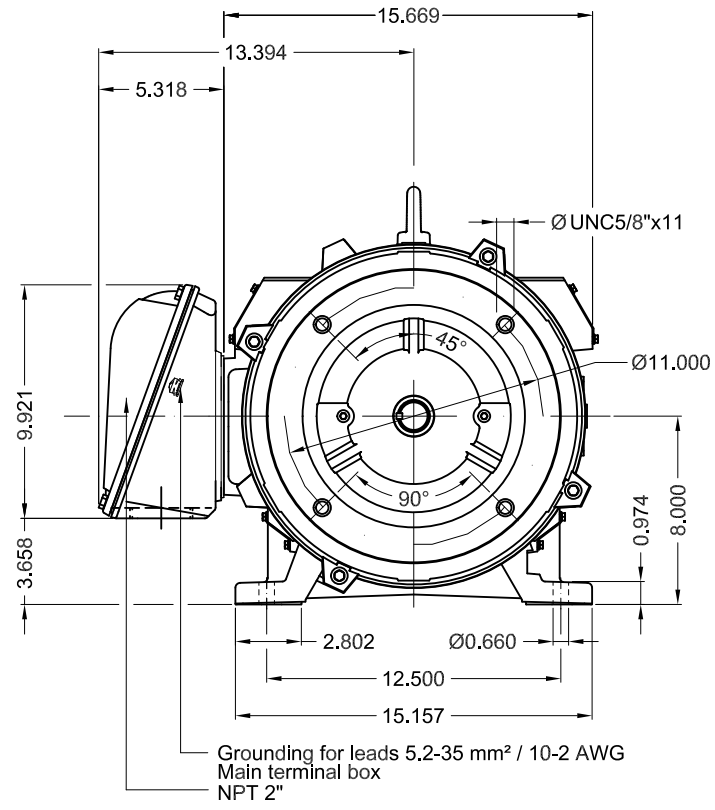
Product line : W40 JP Pump NEMA Premium Efficiency Three-Phase      Product code : 15860071



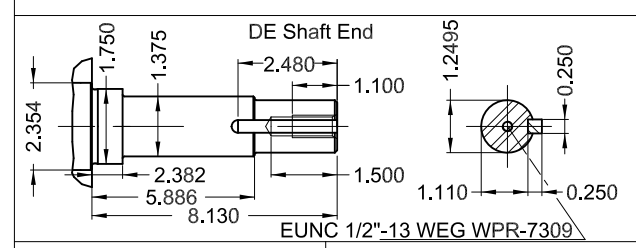
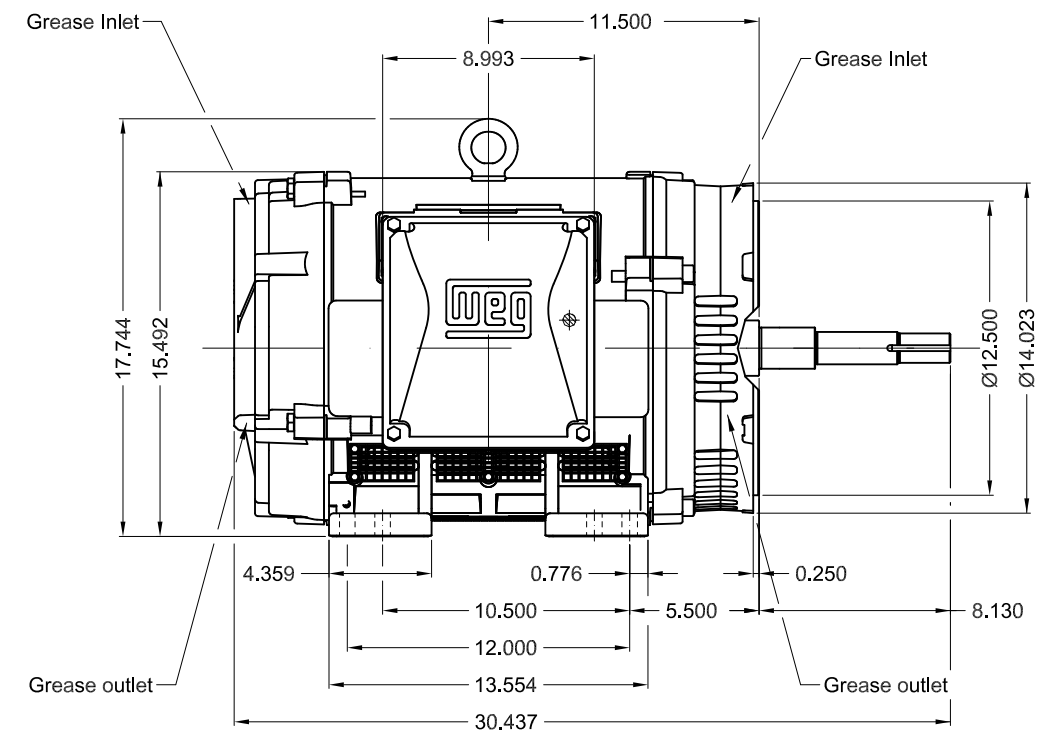
Performance : 575 V 60 Hz 6P

Rated current	: 28.8 A	Moment of inertia (J)	: 0.4029 kgm <sup>2</sup>
LRC	: 6.3	Duty cycle	: Cont.(S1)
Rated torque	: 18.4 kgfm	Insulation class	: F
Locked rotor torque	: 200 %	Service factor	: 1.25
Breakdown torque	: 240 %	Temperature rise	: 80 K
Rated speed	: 1182 rpm	Design	: B

Rev.	Changes Summary	Performed	Checked	Date
Performed by			Page	Revision
Checked by				
Date				



Grounding for leads 5.2-35 mm<sup>2</sup> / 10-2 AWG  
Main terminal box  
NPT 2"



30 HP 06 Poles 60 Hz A

1:8

ECM	LOC	SUMMARY OF MODIFICATIONS	EXECUTED	CHECKED	RELEASED	DATE	VER
EXECUTED	HYBRISUSER	THREE PH. MOTOR W40 CLOSE COUPLED PUMP JP TYPE NEMA 3REW/FF					
CHECKED		FRAME 324/6JP IP23 ODP					
RELEASED							
REL. DATE		WMO Jaragua do Sul	Product Engineering	WDD	00	SHEET	1 / 1

- Color RAL 5009
- Painting plan 203A
- Mounting NEMA F-1
- Mounting B34R(D)

