

# DATA SHEET



## Three Phase Induction Motor - Squirrel Cage

Customer :						
Product line		: W21 In Line Extra Thrust NEMA Premium Efficiency Three-Phase		Product code : 15845772		
Frame	: 184LP		Locked rotor time	: 30s (cold) 17s (hot)		
Output	: 5 HP (3.7 kW)		Temperature rise	: 80 K		
Poles	: 4		Duty cycle	: Cont.(S1)		
Frequency	: 60 Hz		Ambient temperature	: -20°C to +40°C		
Rated voltage	: 460 V		Altitude	: 1000 m.a.s.l.		
Rated current	: 6.57 A		Protection degree	: IP55		
L. R. Amperes	: 46.6 A		Cooling method	: IC411 - TEFC		
LRC	: 7.1x(Code J)		Mounting	: W-6		
No load current	: 3.10 A		Rotation <sup>1</sup>	: Both (CW and CCW)		
Rated speed	: 1750 rpm		Noise level <sup>2</sup>	: 56.0 dB(A)		
Slip	: 2.78 %		Starting method	: Direct On Line		
Rated torque	: 2.07 kgfm		Approx. weight <sup>3</sup>	: 71.0 kg		
Locked rotor torque	: 250 %					
Breakdown torque	: 330 %					
Insulation class	: F					
Service factor	: 1.15					
Moment of inertia (J)	: 0.0156 kgm <sup>2</sup>					
Design	: B					
Output	25%	50%	75%	100%	Foundation loads	
Efficiency (%)	0.000	86.5	88.5	89.5	Max. traction	
Power Factor	0.00	0.59	0.71	0.79	Max. compression	
			<u>Drive end</u>		<u>Non drive end</u>	
Bearing type	:	6206 C3			7306BECB	
Sealing	:	Oil Seal			Lip Seal	
Lubrication interval	:	19765 h			16157 h	
Lubricant amount	:	5 g			7 g	
Lubricant type	:	Mobil Polyrex EM				
Notes						
This revision replaces and cancel the previous one, which must be eliminated. (1) Looking the motor from the shaft end. (2) Measured at 1m and with tolerance of +3dB(A). (3) Approximate weight subject to changes after manufacturing process. (4) At 100% of full load.			These are average values based on tests with sinusoidal power supply, subject to the tolerances stipulated in NEMA MG-1.			
Rev.	Changes Summary			Performed	Checked	Date
Performed by						
Checked by					Page	Revision
Date	30/10/2024				1 / 2	

# LOAD PERFORMANCE CURVE

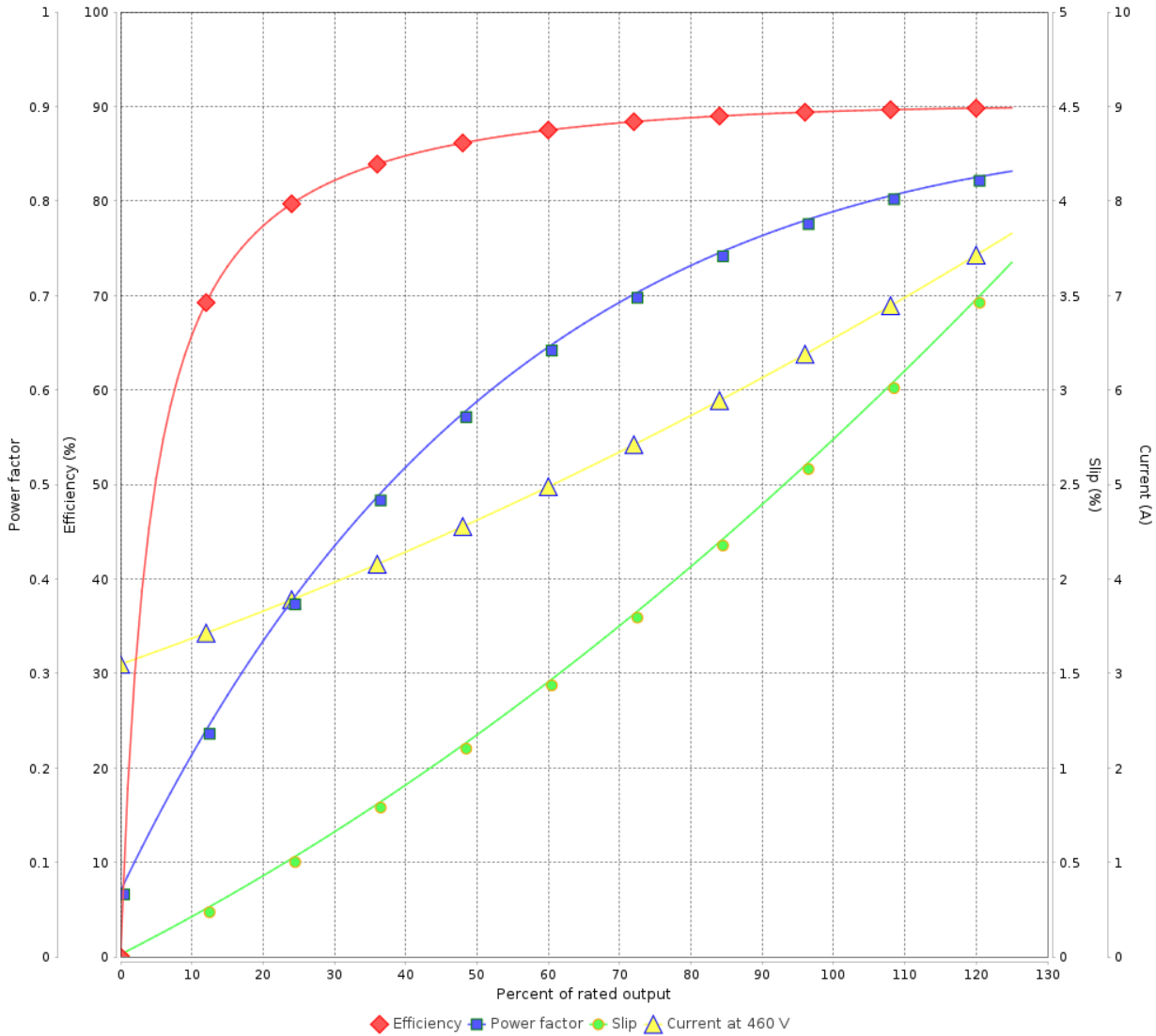
Three Phase Induction Motor - Squirrel Cage



Customer :

Product line : W21 In Line Extra Thrust NEMA Premium Efficiency Three-Phase      Product code : 15845772

LOAD PERFORMANCE CURVE

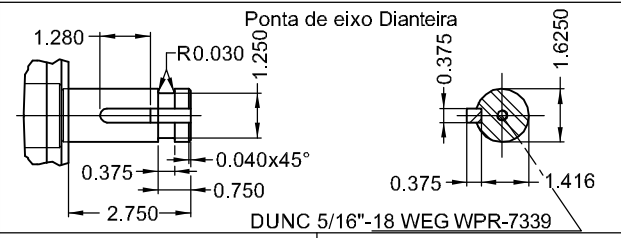
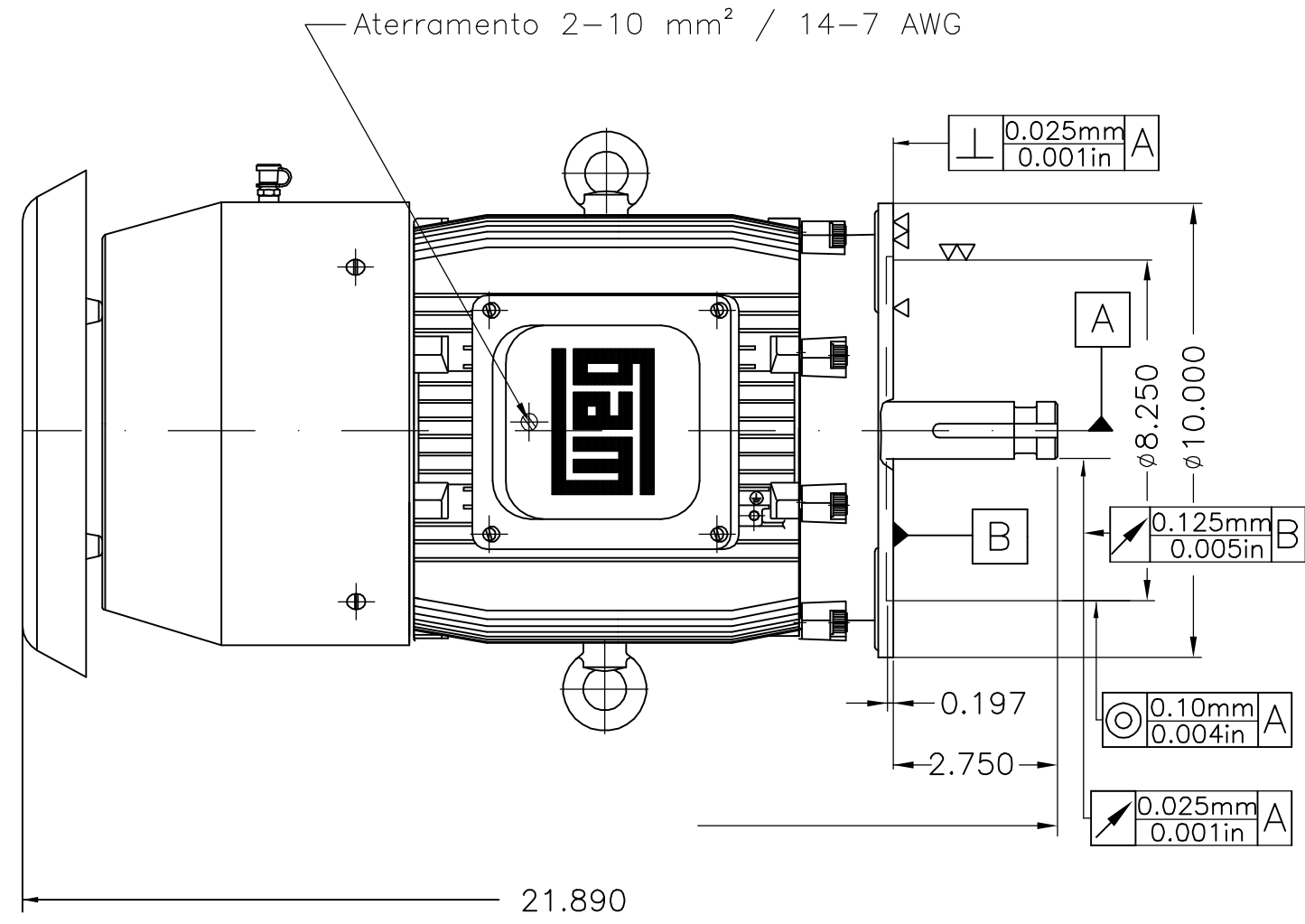
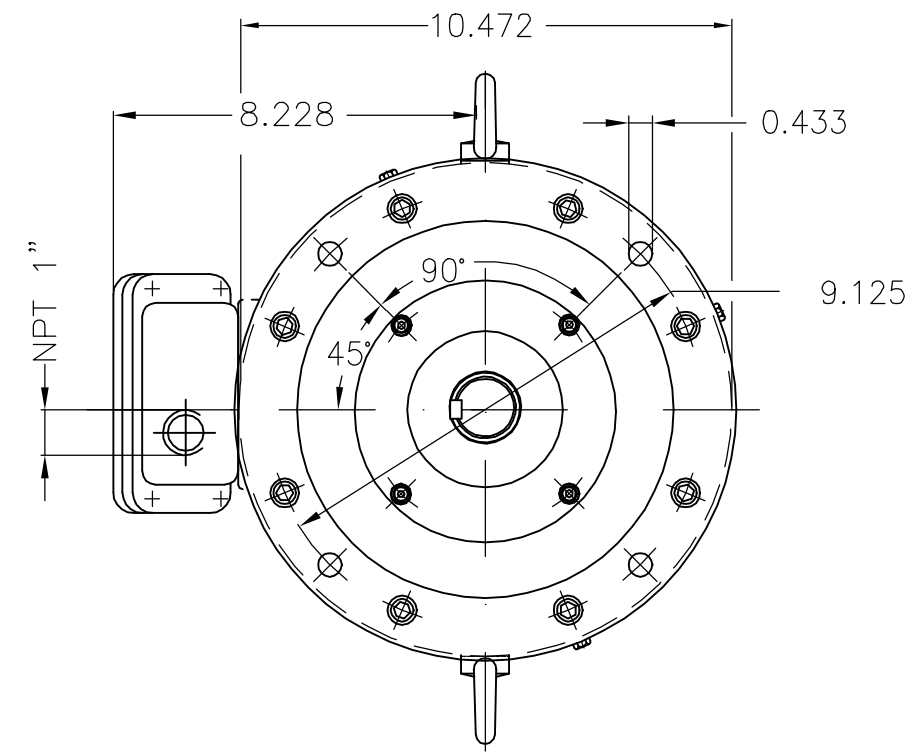


Performance : 460 V 60 Hz 4P

Rated current	: 6.57 A	Moment of inertia (J)	: 0.0156 kgm <sup>2</sup>
LRC	: 7.1	Duty cycle	: Cont.(S1)
Rated torque	: 2.07 kgfm	Insulation class	: F
Locked rotor torque	: 250 %	Service factor	: 1.15
Breakdown torque	: 330 %	Temperature rise	: 80 K
Rated speed	: 1750 rpm	Design	: B

Rev.	Changes Summary	Performed	Checked	Date
Performed by			Page 2 / 2	Revision
Checked by				
Date	30/10/2024			

**ATENÇÃO/ATTENTION**  
 MOTOR DEVE SER LIGADO APENAS NA  
 POSIÇÃO VERTICAL  
 MOTOR MUST BE ENERGIZED ONLY IN THE  
 VERTICAL POSITION



5 HP 04 Polos 60 Hz							A
<b>V.J. PAMENSKY CANADA INC.</b>							
500002148791		ALT CONFORME 418229042	CLAUDEMIRR	JACKSONDC	JACKSONDC	14.06.2022	01
500001885176		INITIAL ISSUE 417654340/0-ELET	DVEGINI	CLEITONGS	AMANDAL	04.02.2021	00
ECM	LOC	RESUMO MODIFICAÇÃO	EXECUTADO	VERIFICADO	LIBERADO	DATA	VER
EXECUTOR	DVEGINI	MOTOR TRIFÁSICO IN LINE EXTRA THRUST CARÇAÇA 184LP IP55 TEFC	10008297958				
VERIFICADOR	CLEITONGS		000	01			
LIBERADOR	AMANDAL						
DATA LB.	04.02.2021	WMO Jaraguá do Sul	Engenharia de Produto	FOLHA	1 / 1		

Placa de identificação com a informação da linha do inversor  
 Forma construtiva NEMA W-6  
 Forma construtiva V1

CÓPIA SEM CONTROLE  
 Dimensões em polegadas  
 LIBERADO  
 ZME A3