

DATA SHEET



Three Phase Induction Motor - Squirrel Cage

Customer :

Product line : W21 In Line Extra Thrust NEMA Premium Efficiency Three-Phase Product code : 15733440

Frame	: 256LP	Locked rotor time	: 46s (cold) 26s (hot)
Output	: 20 HP (15 kW)	Temperature rise	: 80 K
Poles	: 2	Duty cycle	: Cont.(S1)
Frequency	: 60 Hz	Ambient temperature	: -20°C to +40°C
Rated voltage	: 575 V	Altitude	: 1000 m.a.s.l.
Rated current	: 18.6 A	Protection degree	: IP55
L. R. Amperes	: 115 A	Cooling method	: IC411 - TEFC
LRC	: 6.2x(Code G)	Mounting	: W-6
No load current	: 5.52 A	Rotation ¹	: Both (CW and CCW)
Rated speed	: 3530 rpm	Noise level ²	: 75.0 dB(A)
Slip	: 1.94 %	Starting method	: Direct On Line
Rated torque	: 4.11 kgfm	Approx. weight ³	: 170 kg
Locked rotor torque	: 200 %		
Breakdown torque	: 250 %		
Insulation class	: F		
Service factor	: 1.15		
Moment of inertia (J)	: 0.0611 kgm ²		
Design	: B		

Output	25%	50%	75%	100%	Foundation loads
Efficiency (%)	0.000	90.2	91.0	91.0	Max. traction
Power Factor	0.00	0.79	0.86	0.89	Max. compression

	Drive end	Non drive end
Bearing type	: 6309	: 7309BECB
Sealing	: Oil Seal	: Lip Seal
Lubrication interval	: 7898 h	: 4933 h
Lubricant amount	: 13 g	: 13 g
Lubricant type	: Mobil Polyrex EM	

Notes

This revision replaces and cancel the previous one, which must be eliminated.

- (1) Looking the motor from the shaft end.
- (2) Measured at 1m and with tolerance of +3dB(A).
- (3) Approximate weight subject to changes after manufacturing process.
- (4) At 100% of full load.

These are average values based on tests with sinusoidal power supply, subject to the tolerances stipulated in NEMA MG-1.

Rev.	Changes Summary	Performed	Checked	Date
Performed by		Page		Revision
Checked by		1 / 2		
Date	30/10/2024			

LOAD PERFORMANCE CURVE

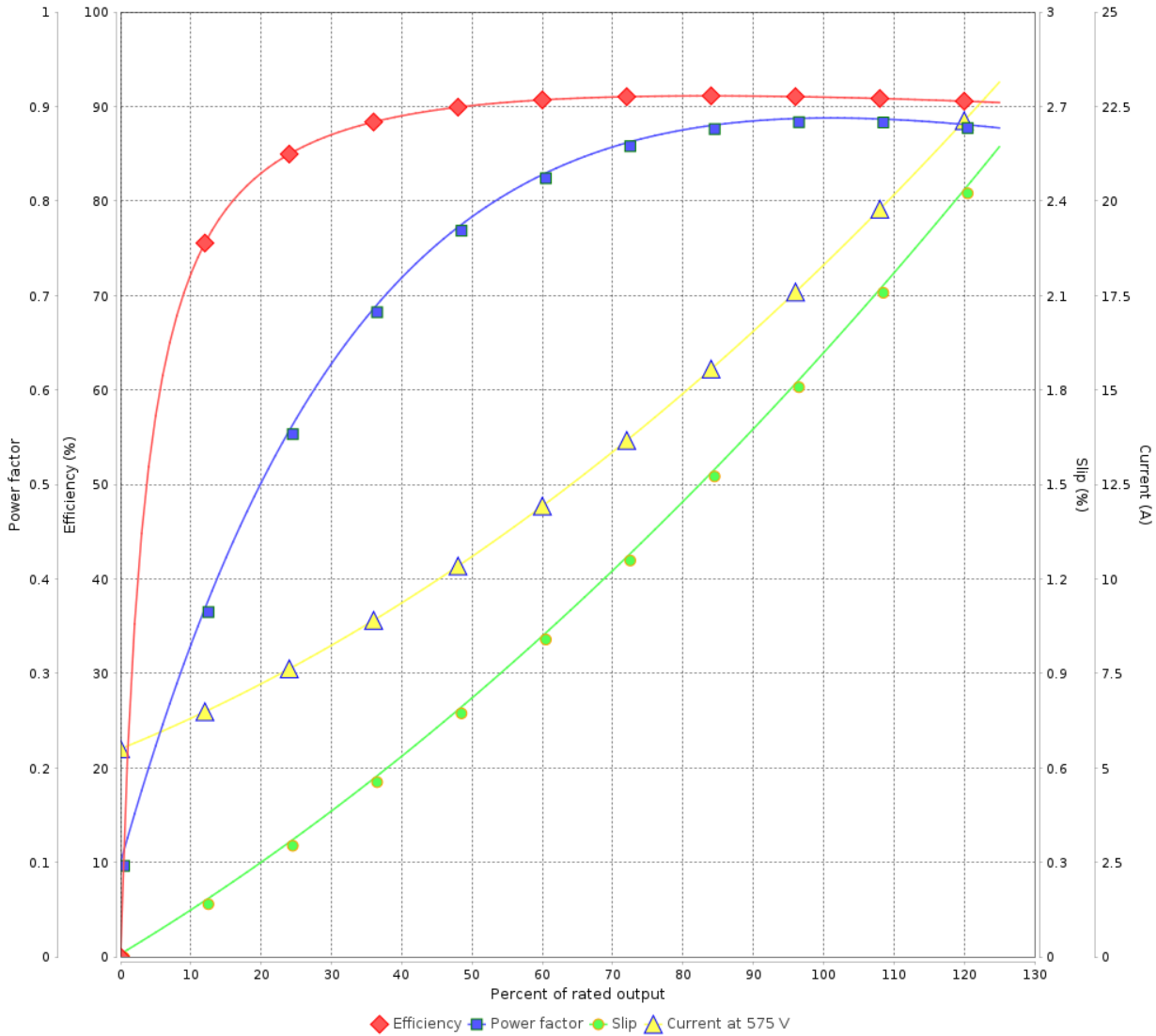
Three Phase Induction Motor - Squirrel Cage



Customer :

Product line : W21 In Line Extra Thrust NEMA Premium Efficiency Three-Phase Product code : 15733440

LOAD PERFORMANCE CURVE

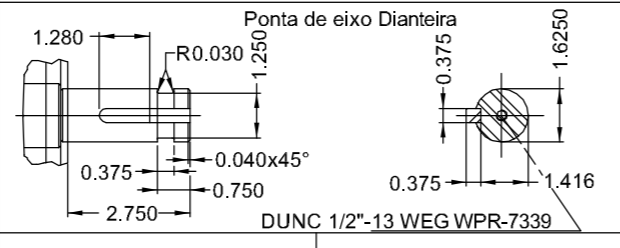
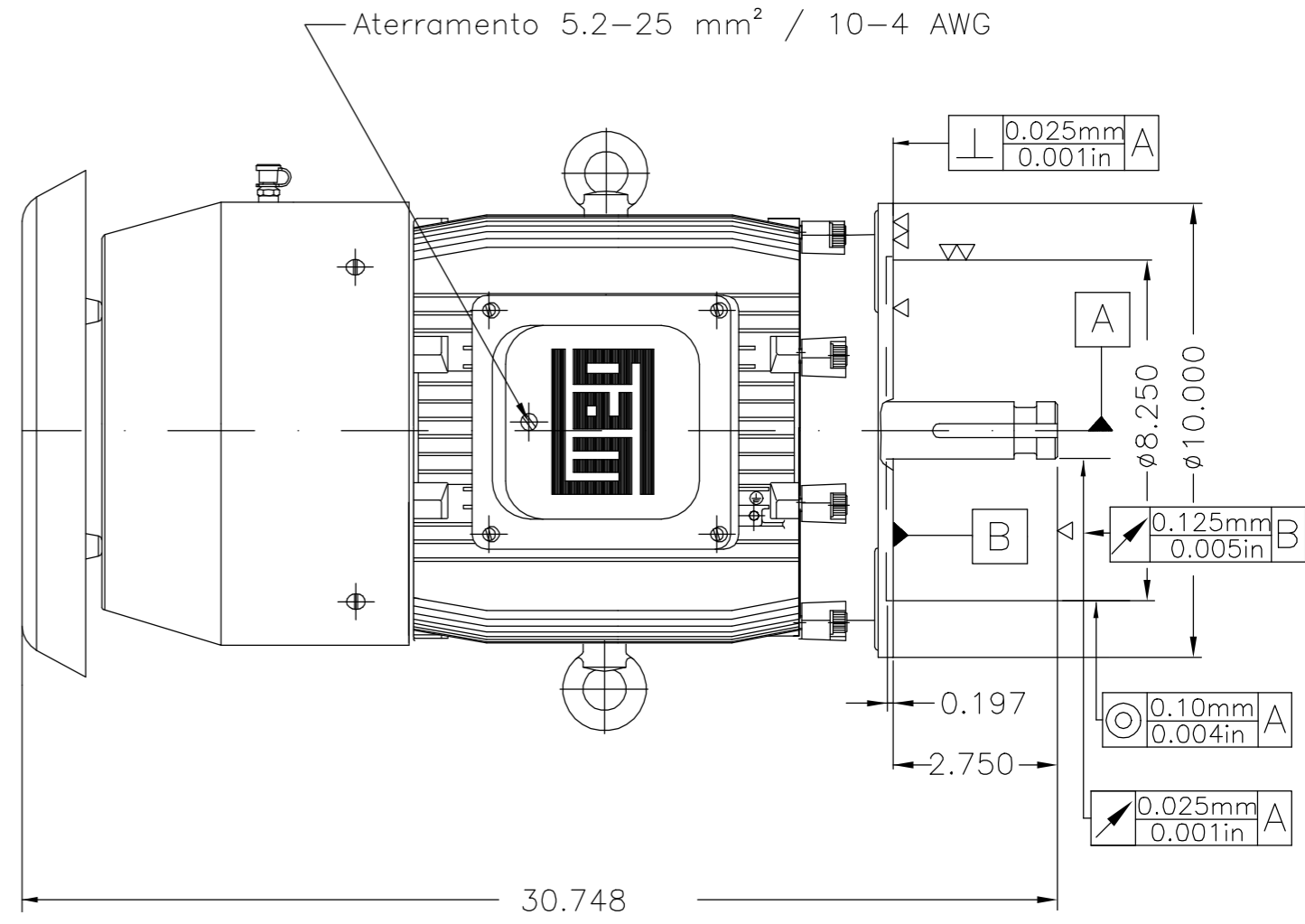
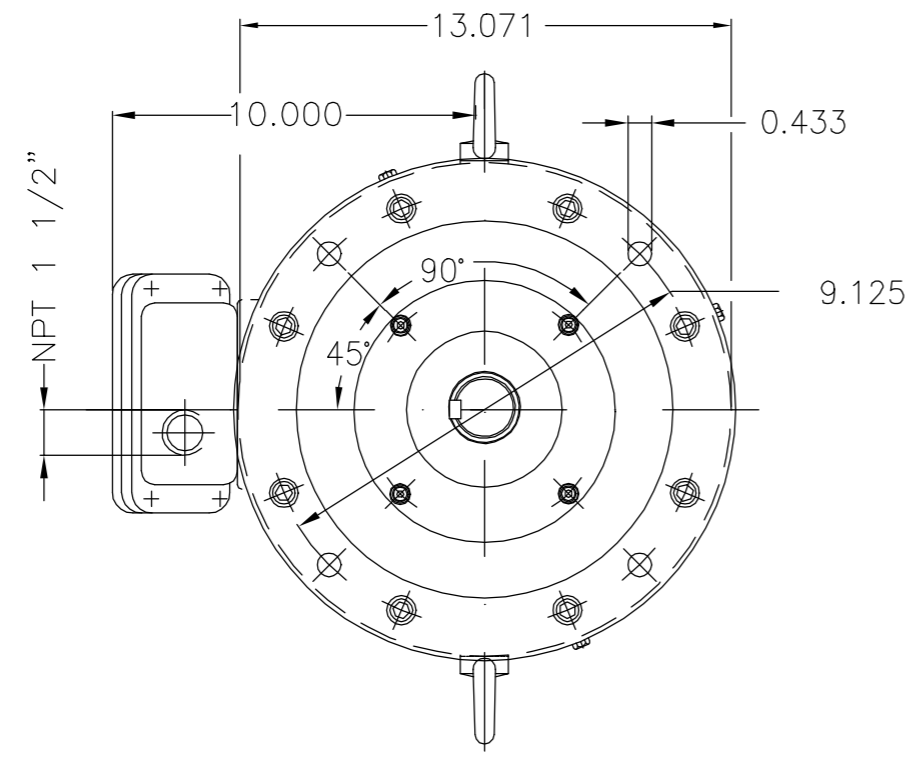


Performance : 575 V 60 Hz 2P

Rated current	: 18.6 A	Moment of inertia (J)	: 0.0611 kgm ²
LRC	: 6.2	Duty cycle	: Cont.(S1)
Rated torque	: 4.11 kgfm	Insulation class	: F
Locked rotor torque	: 200 %	Service factor	: 1.15
Breakdown torque	: 250 %	Temperature rise	: 80 K
Rated speed	: 3530 rpm	Design	: B

Rev.	Changes Summary	Performed	Checked	Date
Performed by			Page 2 / 2	Revision
Checked by				
Date	30/10/2024			

ATENÇÃO/ATTENTION
 MOTOR DEVE SER LIGADO APENAS NA
 POSIÇÃO VERTICAL
 MOTOR MUST BE ENERGIZED ONLY IN THE
 VERTICAL POSITION



20 HP 02 Polos 60 Hz

V.J. PAMENSKY CANADA INC.

500002148791		ALT CONFORME 418229042	CLAUDEMIRR	JACKSONDC	JACKSONDC	14.06.2022	01
500001845793		INITIAL ISSUE 417536426/0	DVEGINI	SCARMAGNANI	LUIZS	09.11.2020	00
ECM	LOC	RESUMO MODIFICAÇÃO	EXECUTADO	VERIFICADO	LIBERADO	DATA	VER
EXECUTOR	DVEGINI	MOTOR TRIFÁSICO IN LINE EXTRA THRUST CARÇAÇA 256LP IP55 TEFC	10008087208				
VERIFICADOR	SCARMAGNANI		000	01			
LIBERADOR	LUIZS						
DATA LB.	09.11.2020	WMO Jaraguá do Sul	Engenharia de Produto	FOLHA	1 / 1		

Placa de identificação com a informação da linha do inversor
 Forma construtiva NEMA W-6
 Forma construtiva V1

CÓPIA SEM CONTROLE
 Dimensões em polegadas
 LIBERADO
 ZME A3