

DATA SHEET



Three Phase Induction Motor - Squirrel Cage

Customer :						
Product line		: W21 In Line Extra Thrust NEMA Premium Efficiency Three-Phase		Product code : 15686551		
Frame	: 182LP		Locked rotor time	: 54s (cold) 30s (hot)		
Output	: 3 HP (2.2 kW)		Temperature rise	: 80 K		
Poles	: 2		Duty cycle	: Cont.(S1)		
Frequency	: 60 Hz		Ambient temperature	: -20°C to +40°C		
Rated voltage	: 208-230/460 V		Altitude	: 1000 m.a.s.l.		
Rated current	: 8.31-7.51/3.76 A		Protection degree	: IP55		
L. R. Amperes	: 69.8-63.1/31.6 A		Cooling method	: IC411 - TEFC		
LRC	: 8.4x(Code K)		Mounting	: W-6		
No load current	: 2.70-2.80/1.40 A		Rotation ¹	: Both (CW and CCW)		
Rated speed	: 3515 rpm		Noise level ²	: 69.0 dB(A)		
Slip	: 2.36 %		Starting method	: Direct On Line		
Rated torque	: 0.619 kgfm		Approx. weight ³	: 65.0 kg		
Locked rotor torque	: 260 %					
Breakdown torque	: 380 %					
Insulation class	: F					
Service factor	: 1.25					
Moment of inertia (J)	: 0.0059 kgm ²					
Design	: B					
Output	25%	50%	75%	100%	Foundation loads	
Efficiency (%)	0.000	78.5	84.0	86.5	Max. traction	
Power Factor	0.00	0.72	0.81	0.85	Max. compression	
			<u>Drive end</u>		<u>Non drive end</u>	
Bearing type	:	6206			7306BECB	
Sealing	:	Oil Seal			Lip Seal	
Lubrication interval	:	13463 h			8437 h	
Lubricant amount	:	5 g			7 g	
Lubricant type	:	Mobil Polyrex EM				
Notes						
This revision replaces and cancel the previous one, which must be eliminated. (1) Looking the motor from the shaft end. (2) Measured at 1m and with tolerance of +3dB(A). (3) Approximate weight subject to changes after manufacturing process. (4) At 100% of full load.			These are average values based on tests with sinusoidal power supply, subject to the tolerances stipulated in NEMA MG-1.			
Rev.	Changes Summary			Performed	Checked	Date
Performed by						
Checked by					Page	Revision
Date	30/10/2024				1 / 2	

LOAD PERFORMANCE CURVE

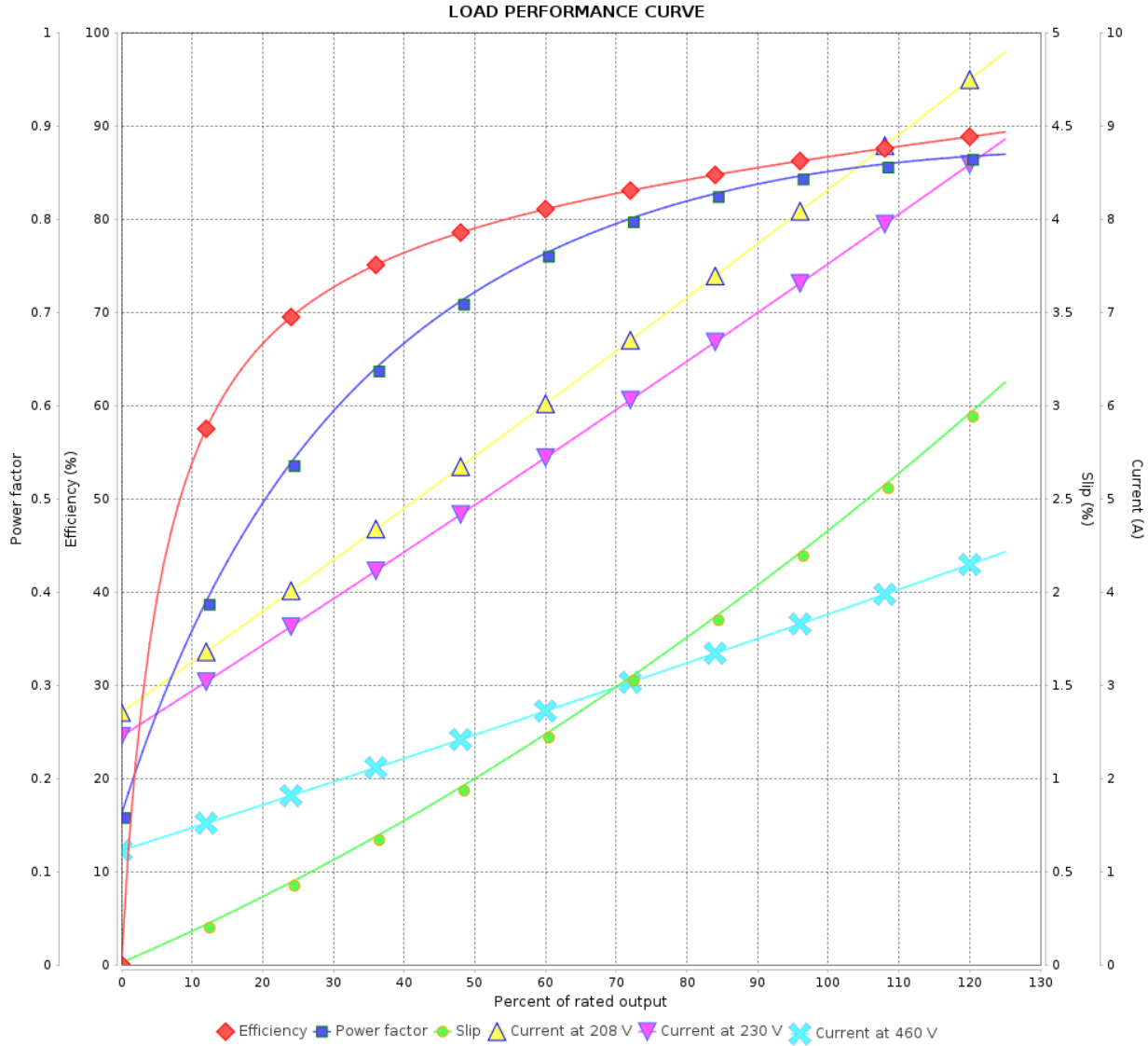
Three Phase Induction Motor - Squirrel Cage



Customer : _____

Product line : W21 In Line Extra Thrust NEMA Premium Efficiency Three-Phase

Product code : 15686551



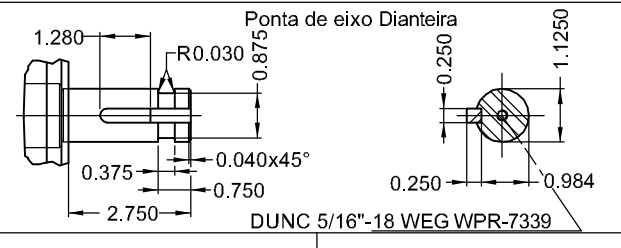
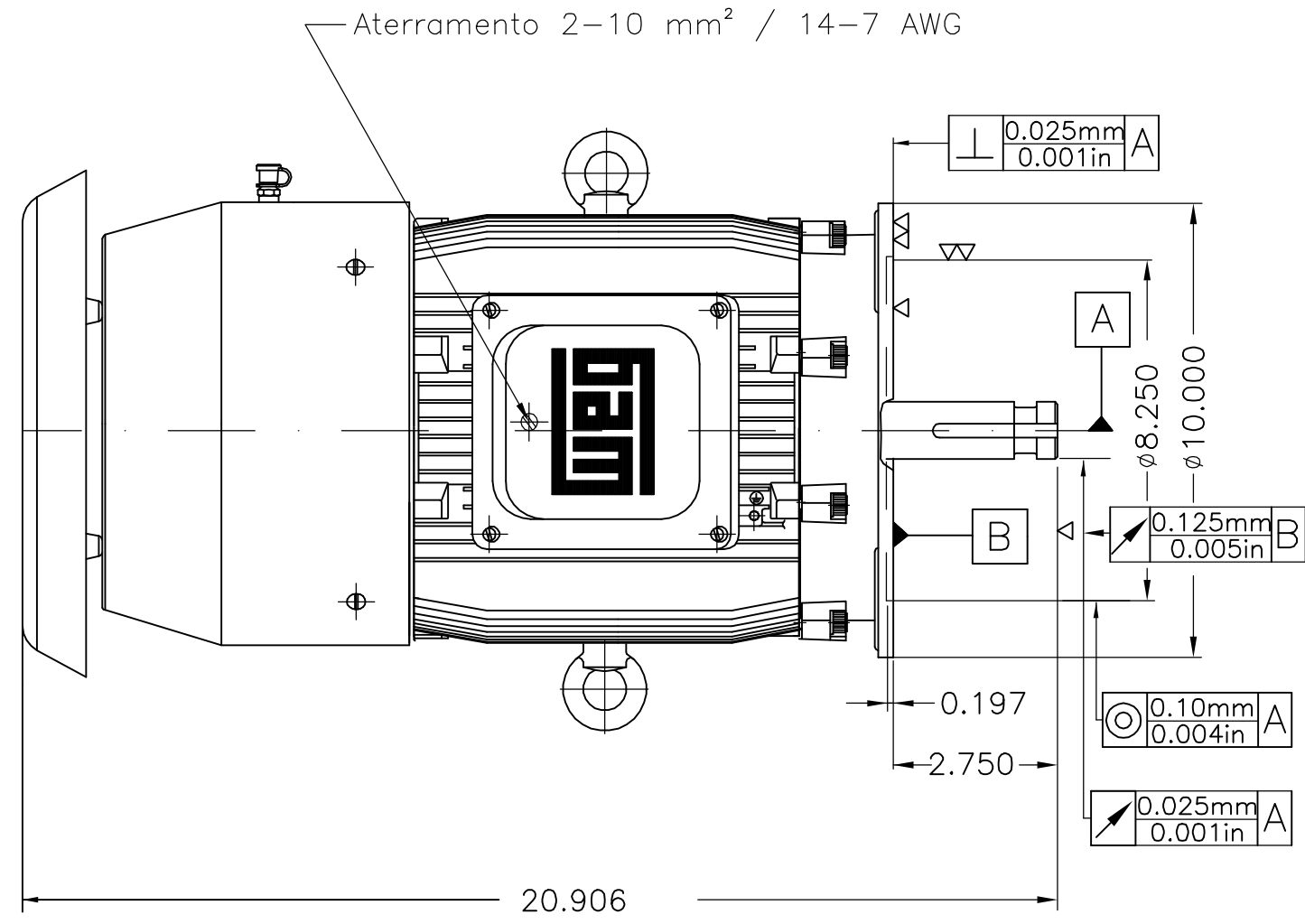
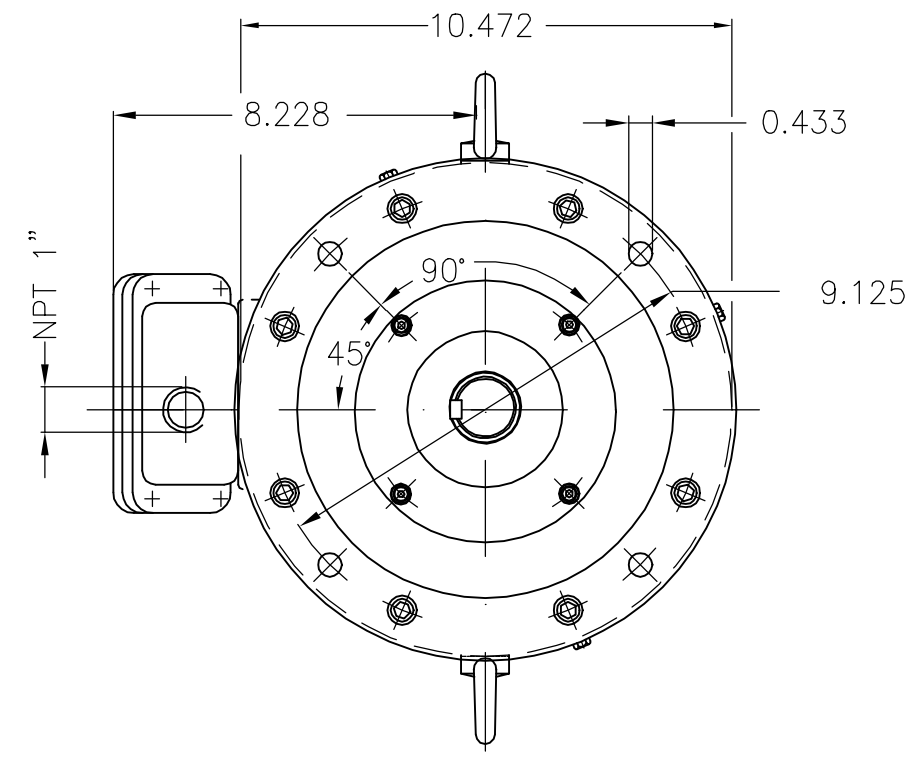
Performance : 208-230/460 V 60 Hz 2P

Rated current : 8.31-7.51/3.76 A
 LRC : 8.4
 Rated torque : 0.619 kgfm
 Locked rotor torque : 260 %
 Breakdown torque : 380 %
 Rated speed : 3515 rpm

Moment of inertia (J) : 0.0059 kgm²
 Duty cycle : Cont.(S1)
 Insulation class : F
 Service factor : 1.25
 Temperature rise : 80 K
 Design : B

Rev.	Changes Summary	Performed	Checked	Date
Performed by			Page 2 / 2	Revision
Checked by				
Date	30/10/2024			

ATENÇÃO/ATTENTION
 MOTOR DEVE SER LIGADO APENAS NA
 POSIÇÃO VERTICAL
 MOTOR MUST BE ENERGIZED ONLY IN THE
 VERTICAL POSITION



3 HP 02 Polos 60 Hz							A
V.J. PAMENSKY CANADA INC.							
500002148791		ALT CONFORME 418229042	CLAUDEMIRR	JACKSONDC	JACKSONDC	14.06.2022	01
500001832452		INITIAL ISSUE - 417500668/O-MEC.	NSCHMIDT	NOERNBERG	LUIZS	13.10.2020	00
ECM	LOC	RESUMO MODIFICAÇÃO	EXECUTADO	VERIFICADO	LIBERADO	DATA	VER
EXECUTOR	NSCHMIDT	MOTOR TRIFÁSICO IN LINE EXTRA THRUST CARÇAÇA 182LP IP55 TEFC	10008013438				
VERIFICADOR	NOERNBERG		000	01			
LIBERADOR	LUIZS						
DATA LB.	13.10.2020	WMO Jaraguá do Sul	Engenharia de Produto	FOLHA	1 / 1		

Placa de identificação com a informação da linha do inversor
 Forma construtiva NEMA W-6
 Forma construtiva V1

CÓPIA SEM CONTROLE
 Dimensões em polegadas
 LIBERADO
 ZME A3