

DATA SHEET

Three Phase Induction Motor - Squirrel Cage



Customer : V.J. PAMENSKY CANADA INC.

Product line : W01 - TEFC - Premium Efficiency (DOE) Jet Pump - Forma J Derating Product code : 19175770

Frame	: 56J	Cooling method	: IC411 - TEFC
Insulation class	: F	Mounting	: W-6/V17R(D)
Duty cycle	: S1	Rotation ¹	: Counter clockwise
Ambient temperature	: -20 °C to +40 °C	Starting method	: Direct On Line
Altitude	: 3280 ft	Approx. weight ³	: 34.2 lb
Protection degree	: IP55	Moment of inertia (J)	: 0.1020 sq.ft.lb
Design	: B		

	1.5 HP (1.1 kW)	1.5 HP (1.1 kW)	1.5 HP (1.1 kW)
Output	1.5 HP (1.1 kW)	1.5 HP (1.1 kW)	1.5 HP (1.1 kW)
Poles	2	2	2
Frequency	60 Hz	50 Hz	50 Hz
Rated voltage	230/460 V	190/380 V	220/415 V
Rated current	3.74/1.87 A	4.44/2.22 A	3.90/2.07 A
L. R. Amperes	34.0/17.0 A	32.0/16.0 A	33.2/17.6 A
LRC	9.1	7.2	8.5
No load current	1.72/0.860 A	1.69/0.845 A	1.83/0.971 A
Rated speed	3520 rpm	2895 rpm	2915 rpm
Slip	2.22 %	3.50 %	2.83 %
Rated torque	2.21 ft.lb	2.68 ft.lb	2.66 ft.lb
Locked rotor torque	230 %	190 %	240 %
Pull up torque	195 %	160 %	200 %
Breakdown torque	300 %	280 %	330 %
Service factor	1.15	1.15	1.15
Temperature rise	80 K	80 K	80 K
Noise level ²	68.0 dB(A)	65.0 dB(A)	65.0 dB(A)
Locked rotor time (hot)	17 s	16 s	14 s
Locked rotor time (cold)	31 s	29 s	25 s
Efficiency (%)	50%	80.0	82.6
	75%	82.5	83.8
	100%	84.0	82.9
Power Factor	50%	0.71	0.77
	75%	0.82	0.87
	100%	0.88	0.91

Losses at normative operating points (speed;torque), in percentage of rated output power

Losses (%)	P1(0,9;1,0)	P2(0,5;1,0)	P3(0,25;1,0)	P4(0,9;0,5)	P5(0,5;0,5)	P6(0,5;0,25)	P7(0,25;0,25)
	17.5	14.5	13.6	9.4	5.7	4.0	2.5
	16.8	13.9	13.0	9.0	5.5	3.8	2.5
	18.3	15.1	14.2	9.8	6.0	4.1	2.6

Bearing type	Drive end	Non drive end	Foundation loads
	6203-2RS	6202-2RS	
Lubrication interval	-	-	Max. compression : 460 N
Lubricant amount	-	-	Load type :-
Lubricant type	MOBIL POLYREX EM		Load torque :-
			Load inertia (J=GD ² /4) :-

Notes
See notes on page 2.

Rev.	Changes Summary	Rev.	Checked	Date
Performed by	farazq			1867000526
Checked by	AUTOMATICO		Page	Rev.
Date	29/06/2026		1 / 2	0

DATA SHEET

Three Phase Induction Motor - Squirrel Cage



Customer : V.J. PAMENSKY CANADA INC.

Product line : W01 - TEFC - Premium Efficiency (DOE) Jet Pump - Forma J Derating
Product code : 19175770

Thermal protection ID	Application	Type	Quantity	Sensing Temperature
-----------------------	-------------	------	----------	---------------------

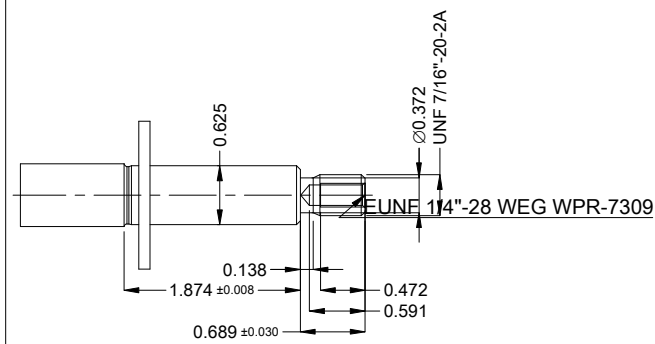
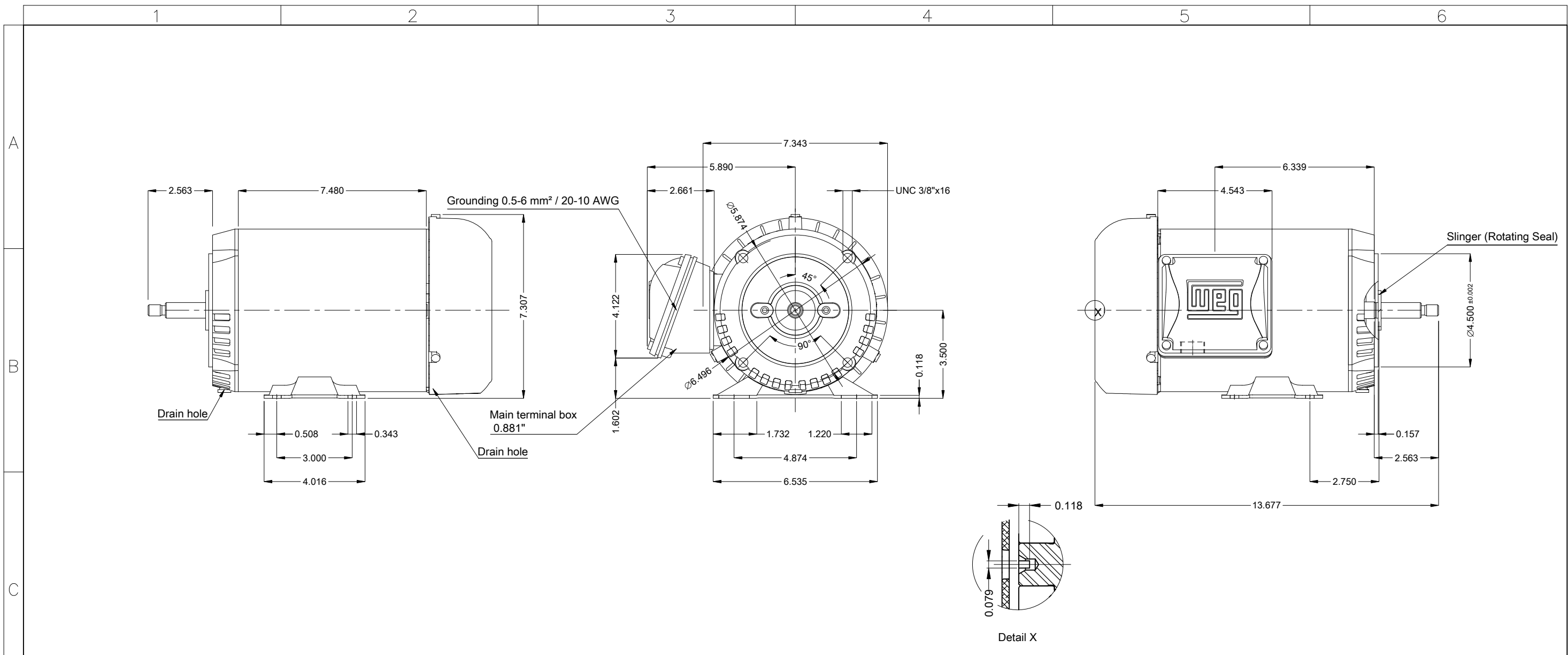
Notes
USABLE @208V 4.13A SF 1.15 SFA 4.76A

Standards	Specification	: MG1 - Part 10	Vibration	: MG1 - Part 7
	Test	: MG1 - Part 12	Tolerance	: MG1 - Part 12
	Noise	: MG1 - Part 9		

This revision replaces and cancel the previous one, which must be eliminated.
(1) Looking the motor from the shaft end.
(2) Measured at 1m and with tolerance of +3dB(A).
(3) Approximate weight, subject to be changed after manufacturing process.

These are average values based on tests with sinusoidal power supply, subject to the tolerances stipulated in NEMA MG 1-12.

Rev.	Changes Summary	Rev.	Checked	Date
Performed by	farazq	1867000526		
Checked by	AUTOMATICO	Page	Rev.	
Date	29/06/2026	2 / 2	0	



- Reinforce the foot with 2 mig welding spots
- Shaft material - stainless steel AISI 304
- Fan cover - steel plate
- NDE sealing - V ring
- Color Munsell N 1 matte black
- Painting plan 207N
- Mounting MARKET W-6/V17R(D)
- Mounting W-6/V17R(D)

1.5 HP 02 Poles 60 Hz										A
Scale 1 : 4										
HYBRISUSER										00
ECM	LOC	SUMMARY OF MODIFICATIONS				EXECUTED	CHECKED	RELEASED	DATE	VER
EXECUTED	HYBRISUSER	THREE PH. MOTOR ROLLED STEEL JET PUMP THREADED PREM. EFF. FRAME 56J IP55 TEFC				EXECUTED	CHECKED	RELEASED	DATE	VER
CHECKED						EXECUTED	CHECKED	RELEASED	DATE	VER
RELEASED						EXECUTED	CHECKED	RELEASED	DATE	VER
REL. DATE						EXECUTED	CHECKED	RELEASED	DATE	VER

PREVIEW

WDD 00

SHEET 1 / 1

