

# DATA SHEET

## Three Phase Induction Motor - Squirrel Cage



Customer	:				
Product line	: JP Pump NEMA Premium Efficiency Three-Phase	Product code :	13482979		
Frame	: 213/5JP	Cooling method	: IC01 - ODP		
Insulation class	: F	Mounting	: W-6		
Duty cycle	: Cont.(S1)	Rotation <sup>1</sup>	: Both (CW and CCW)		
Ambient temperature	: -20°C to +40°C	Starting method	: Direct On Line		
Altitude	: 1000 m.a.s.l.	Approx. weight <sup>3</sup>	: 57.4 kg		
Design	: B	Moment of inertia (J)	: 0.0196 kgm <sup>2</sup>		
Output [HP]	10				
Poles	2				
Frequency [Hz]	60				
Rated voltage [V]	575				
Rated current [A]	9.60				
L. R. Amperes [A]	65.3				
LRC [A]	6.8x(Code H)				
No load current [A]	3.73				
Rated speed [RPM]	3535				
Slip [%]	1.81				
Rated torque [kgfm]	2.05				
Locked rotor torque [%]	200				
Breakdown torque [%]	280				
Service factor	1.15				
Temperature rise	80 K				
Locked rotor time	19s (cold) 11s (hot)				
Noise level <sup>2</sup>	66.0 dB(A)				
Efficiency (%)	25%				
	50%	88.5			
	75%	89.5			
	100%	89.5			
Power Factor	25%				
	50%	0.74			
	75%	0.84			
	100%	0.88			
Bearing type	: Drive end	Non drive end	Foundation loads		
Sealing	: 6209 ZZ	6206 ZZ	Max. traction	: 77 kgf	
Lubrication interval	: Without	Without	Max. compression	: 135 kgf	
Lubricant amount	: Bearing Seal	Bearing Seal			
Lubricant type	: -	-			
Notes					
This revision replaces and cancel the previous one, which must be eliminated. (1) Looking the motor from the shaft end. (2) Measured at 1m and with tolerance of +3dB(A). (3) Approximate weight subject to changes after manufacturing process. (4) At 100% of full load.			These are average values based on tests with sinusoidal power supply, subject to the tolerances stipulated in NEMA MG-1.		
Rev.	Changes Summary		Performed	Checked	Date
Performed by					
Checked by				Page	Revision
Date	17/05/2022			1 / 2	

# LOAD PERFORMANCE CURVE

Three Phase Induction Motor - Squirrel Cage

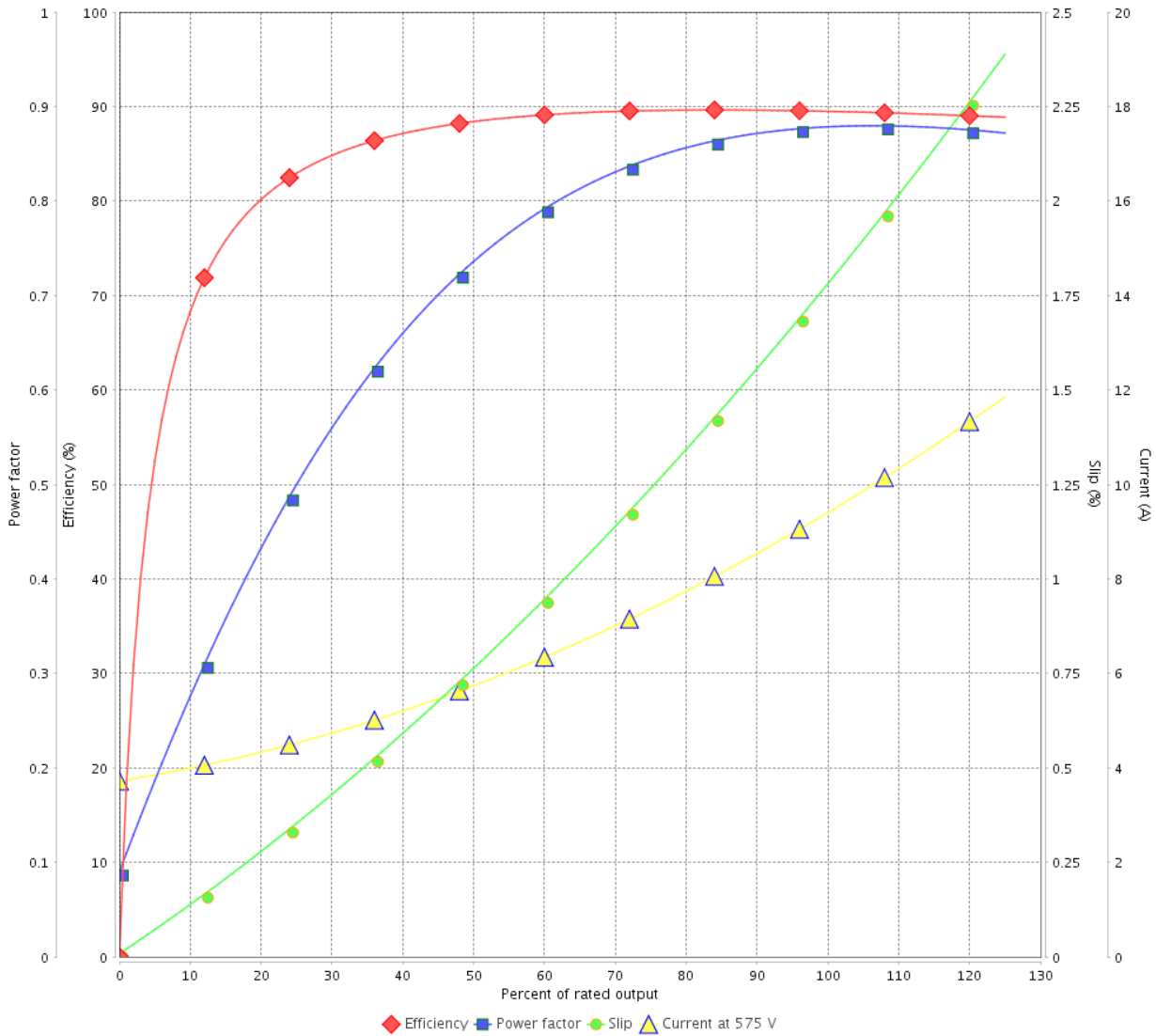


Customer : \_\_\_\_\_

Product line : JP Pump NEMA Premium  
Efficiency Three-Phase

Product code : 13482979

LOAD PERFORMANCE CURVE

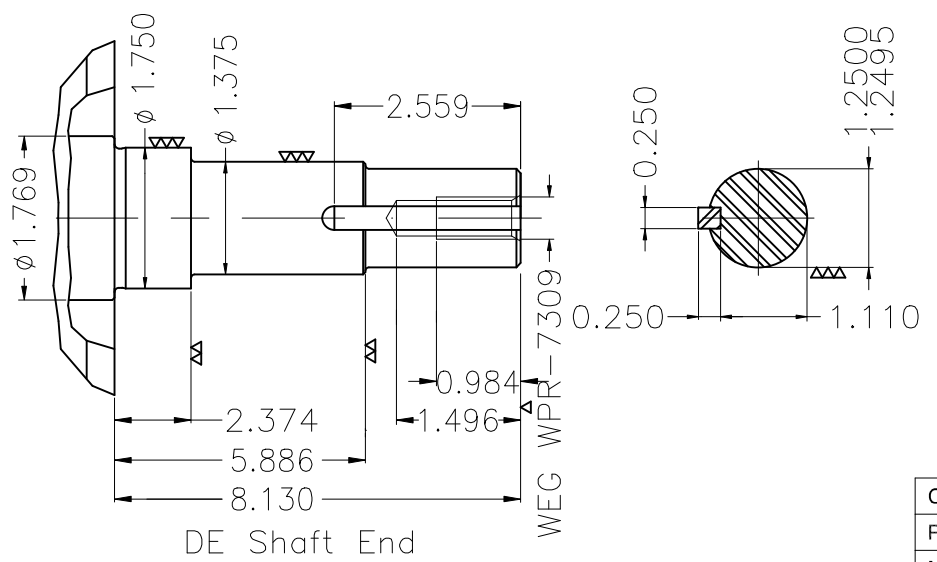
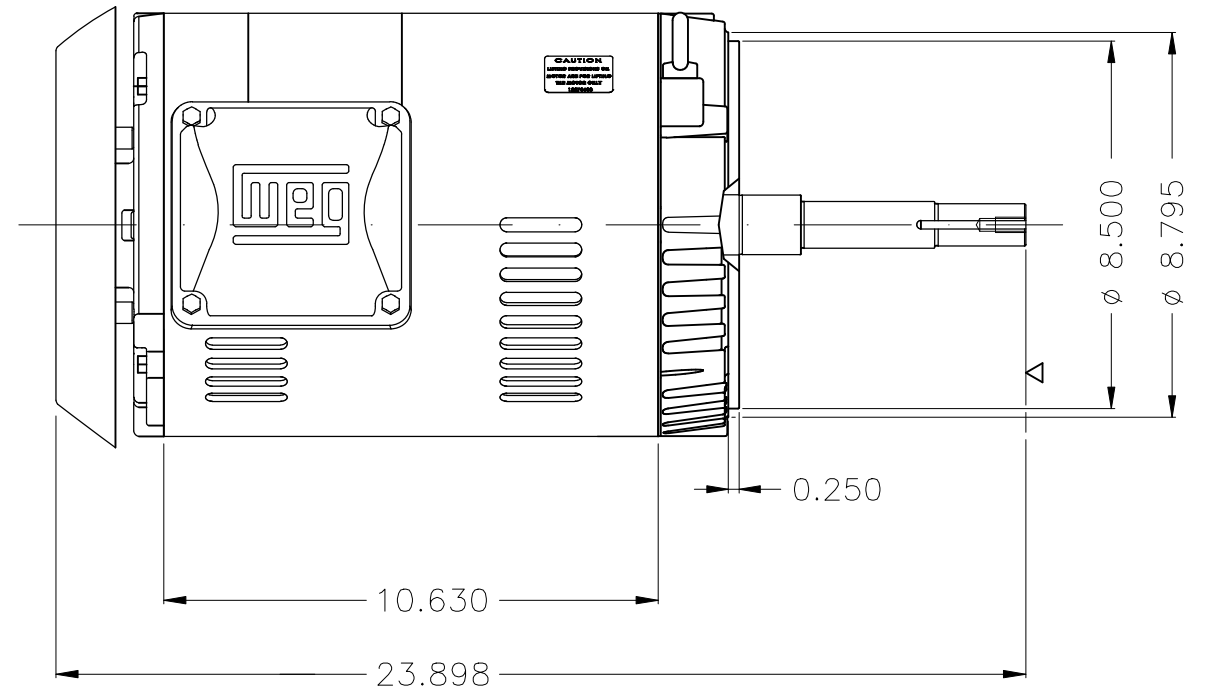
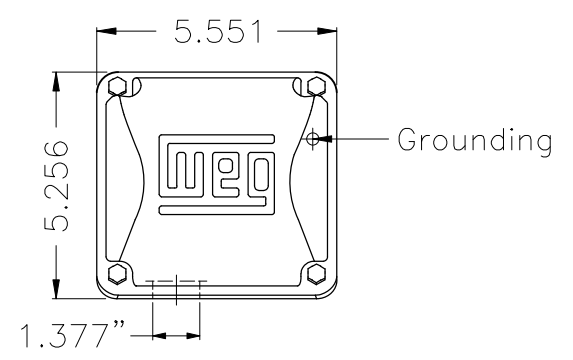
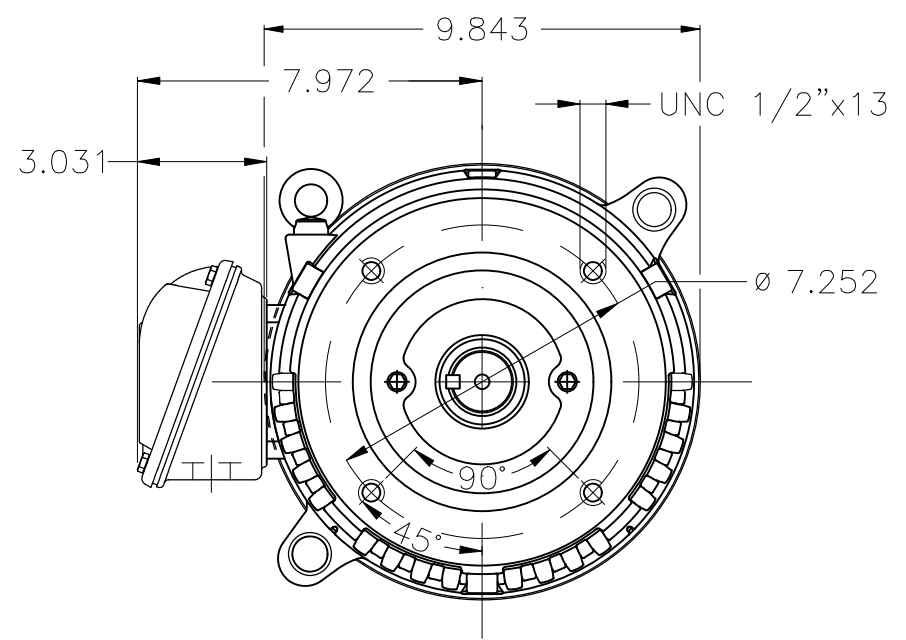


Performance : 575 V 60 Hz 2P

Rated current : 9.60 A  
LRC : 6.8  
Rated torque : 2.05 kgfm  
Locked rotor torque : 200 %  
Breakdown torque : 280 %  
Rated speed : 3535 rpm

Moment of inertia (J) : 0.0196 kgm<sup>2</sup>  
Duty cycle : Cont.(S1)  
Insulation class : F  
Service factor : 1.15  
Temperature rise : 80 K  
Design : B

Rev.	Changes Summary	Performed	Checked	Date
Performed by			Page 2 / 2	Revision
Checked by				
Date	17/05/2022			



EUNC 1/2"-13 WEG WPR-7309

DE Shaft End

Color Munsell N 1 matte black  
 Painting plan 207N  
 Mounting W-6/V18R(D)

ECM	LOC	SUMMARY OF MODIFICATIONS	EXECUTED	CHECKED	RELEASED	DATE	VER
EXECUTED	HYBRISUSER	THREE PH. MOTOR ROLLED STEEL JP NEMA PREM. EFF. FRAME 213/5JP IP21 ODP					
CHECKED							
RELEASED							
REL. DATE	WMO	Jaragua do Sul	Product Engineering	WDD	00		

10 HP 02 Poles 60 Hz

REL. DATE WMO Jaragua do Sul Product Engineering SHEET 1 / 1



Dimensions in inches XME A3

WEG's property. Forbidden reproduction without previous authorization.