

DATA SHEET

Single Phase Induction Motor - Squirrel Cage



Customer	:			
Product line	: Single-Phase	Product code : 15598666		
Frame	: 56H	Cooling method : IC01 - ODP		
Insulation class	: F	Mounting : F-1		
Duty cycle	: Cont.(S1)	Rotation ¹ : Both (CW and CCW)		
Ambient temperature	: -20°C to +40°C	Starting method : Direct On Line		
Altitude	: 1000 m.a.s.l.	Approx. weight ³ : 17.2 kg		
Design	: L	Moment of inertia (J) : 0.0032 kgm ²		
Output [HP]		2		
Poles		2		
Frequency [Hz]		60		
Rated voltage [V]		115/208-230		
Rated current [A]		16.8/9.29-8.40		
L. R. Amperes [A]		144/79.9-72.2		
LRC [A]		8.6x(Code K)		
No load current [A]		5.00/2.16-2.50		
Rated speed [RPM]		3500		
Slip [%]		2.78		
Rated torque [kgfm]		0.415		
Locked rotor torque [%]		250		
Breakdown torque [%]		280		
Service factor				
Temperature rise		80 K		
Locked rotor time		14s (cold) 8s (hot)		
Noise level ²		58.0 dB(A)		
Efficiency (%)	25%			
	50%	76.0		
	75%	81.0		
	100%	82.9		
Power Factor	25%			
	50%	0.90		
	75%	0.94		
	100%	0.94		
Bearing type	: <u>Drive end</u> 6204 ZZ <u>Non drive end</u> 6202 ZZ	Foundation loads		
Sealing	: Without Without Bearing Seal Bearing Seal	Max. traction : 28 kgf Max. compression : 46 kgf		
Lubrication interval	: - -			
Lubricant amount	: - -			
Lubricant type	: Mobil Polyrex EM			
Notes				
This revision replaces and cancel the previous one, which must be eliminated. (1) Looking the motor from the shaft end. (2) Measured at 1m and with tolerance of +3dB(A). (3) Approximate weight subject to changes after manufacturing process. (4) At 100% of full load.		These are average values based on tests with sinusoidal power supply, subject to the tolerances stipulated in NEMA MG-1.		
Rev.	Changes Summary	Performed	Checked	Date
Performed by				
Checked by			Page	Revision
Date	17/05/2022		1 / 2	

LOAD PERFORMANCE CURVE

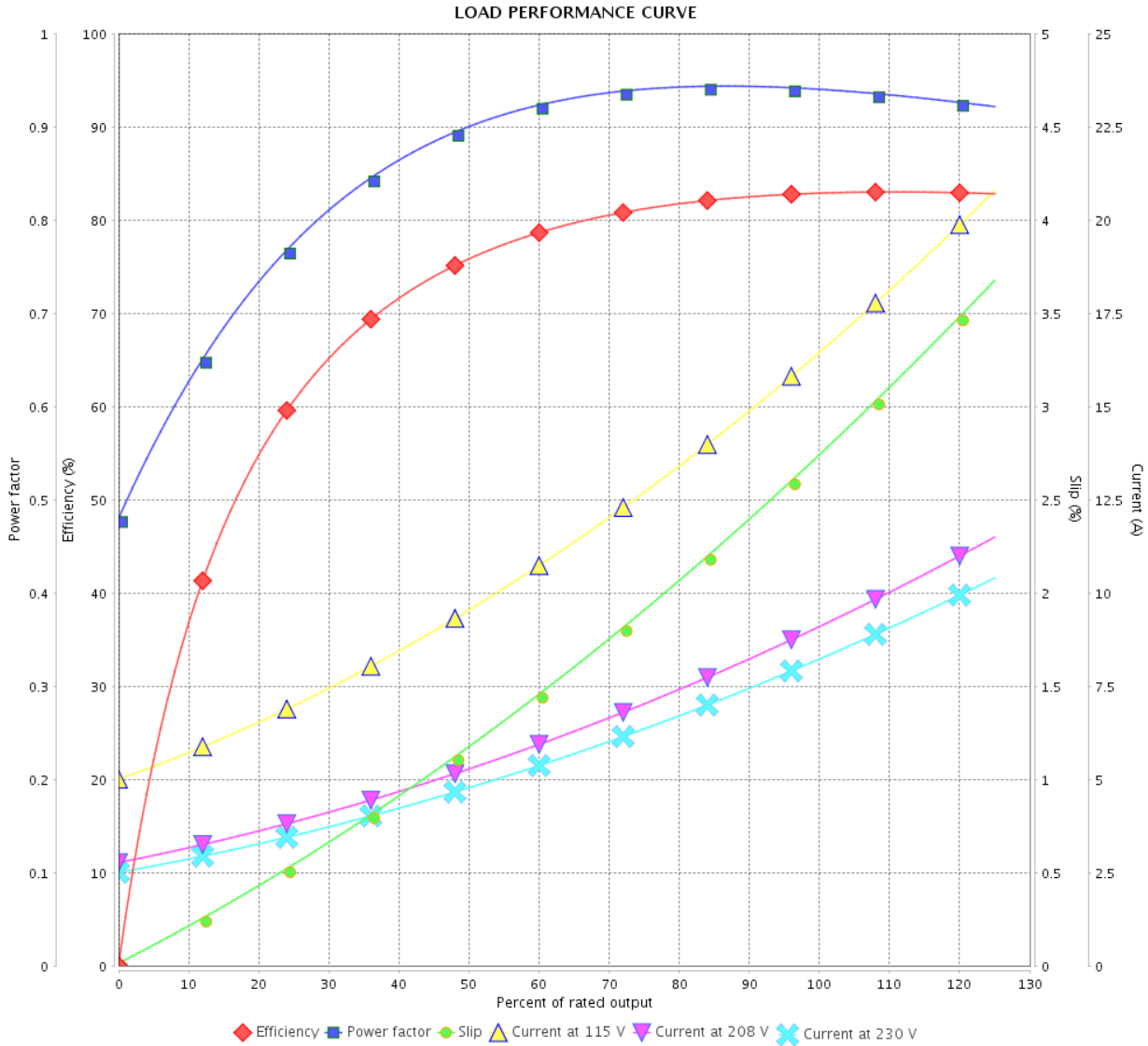
Single Phase Induction Motor - Squirrel Cage



Customer :

Product line : Single-Phase

Product code : 15598666

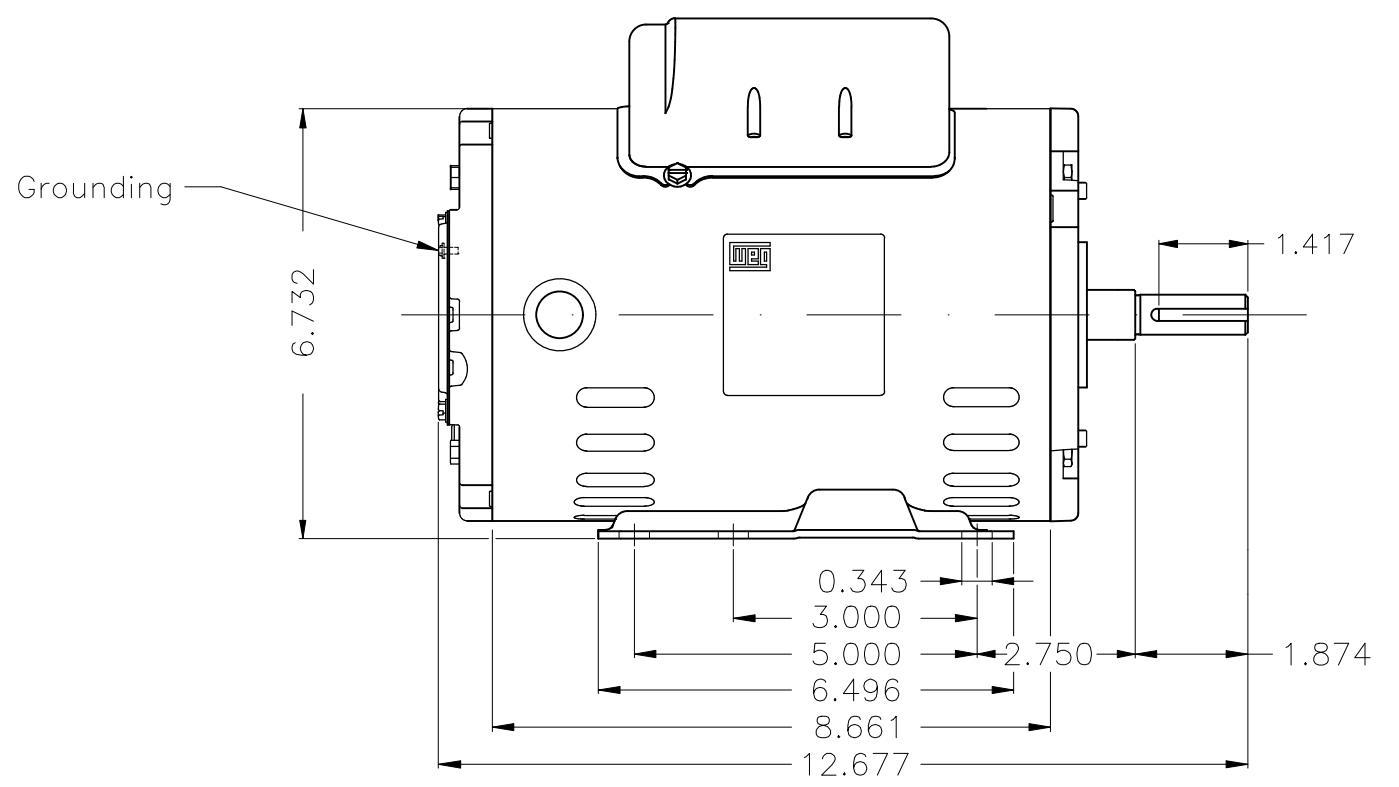
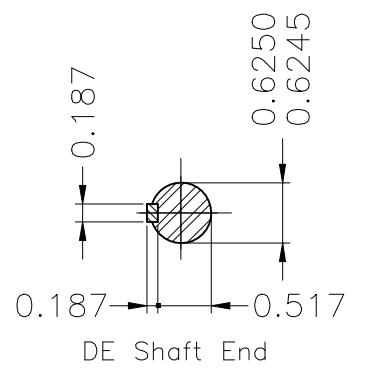
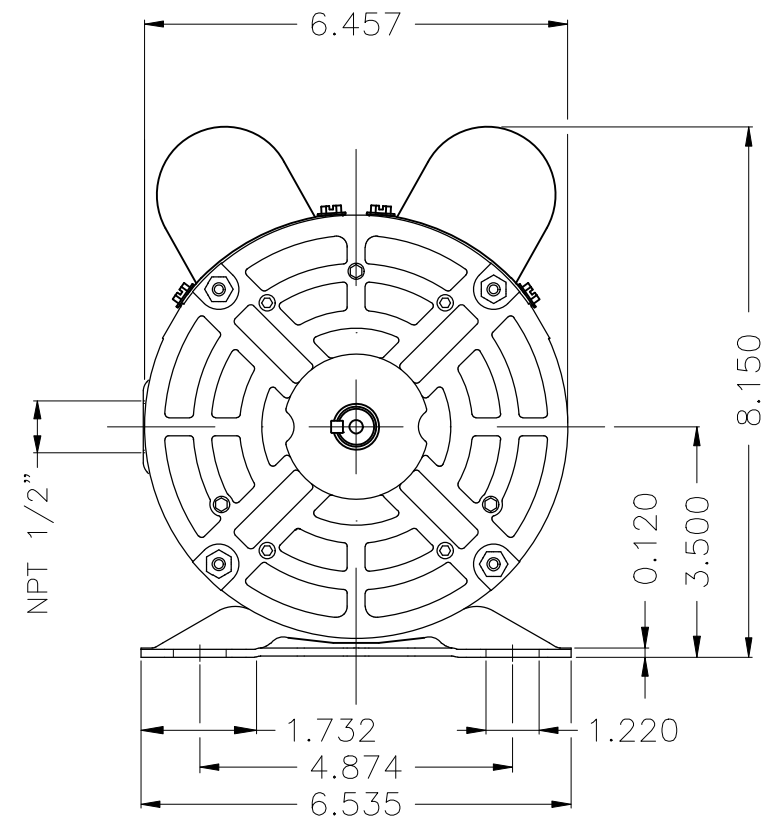


Performance : 115/208-230 V 60 Hz 2P

Rated current : 16.8/9.29-8.40 A
 LRC : 8.6
 Rated torque : 0.415 kgfm
 Locked rotor torque : 250 %
 Breakdown torque : 280 %
 Rated speed : 3500 rpm

Moment of inertia (J) : 0.0032 kgm²
 Duty cycle : Cont.(S1)
 Insulation class : F
 Service factor :
 Temperature rise : 80 K
 Design : L

Rev.	Changes Summary	Performed	Checked	Date
Performed by			Page 2 / 2	Revision
Checked by				
Date	17/05/2022			



Mounting F-1/B3R(D)									
ECM	LOC	SUMMARY OF MODIFICATIONS			EXECUTED	CHECKED	RELEASED	DATE	VER
EXECUTED	HYBRISUSER	SINGLE PH. MOTOR ROLLED STEEL PREM. EFF.							
CHECKED		FRAME 56H IP21 ODP							
RELEASED									
REL. DATE		WMO	Jaragua do Sul	Product Engineering					

2 HP 02 Poles 60 Hz

PREVIEW
WDD 00
SHEET 1 / 1

