

# DATA SHEET



## Three Phase Induction Motor - Squirrel Cage

Customer					
Product line	: Jet Pump - J type Premium Efficiency Three-Phase	Product code :	15366042		
Frame	: W56J	Cooling method	: IC01 - ODP		
Insulation class	: F	Mounting	: F-1		
Duty cycle	: Cont.(S1)	Rotation <sup>1</sup>	: CCW		
Ambient temperature	: -20°C to +40°C	Starting method	: Direct On Line		
Altitude	: 1000 m.a.s.l.	Approx. weight <sup>3</sup>	: 6.5 kg		
		Moment of inertia (J)	: 0.0006 kgm <sup>2</sup>		
Output [HP]	0.5				
Poles	2				
Frequency [Hz]	60				
Rated voltage [V]	575				
Rated current [A]	0.703				
L. R. Amperes [A]	5.13				
LRC [A]	7.3x(Code M)				
No load current [A]	0.480				
Rated speed [RPM]	3450				
Slip [%]	4.17				
Rated torque [kgfm]	0.105				
Locked rotor torque [%]	370				
Breakdown torque [%]	400				
Service factor	1.60				
Temperature rise	80 K				
Locked rotor time	43s (cold) 24s (hot)				
Noise level <sup>2</sup>	62.0 dB(A)				
Efficiency (%)	25%				
	50%	62.0			
	75%	68.0			
	100%	73.4			
Power Factor	25%				
	50%	0.53			
	75%	0.65			
	100%	0.72			
Bearing type	: Drive end : 6203 2RS	Non drive end : 6202 2RS	Foundation loads		
Sealing	: Without	Without	Max. traction	: 10 kgf	
	Bearing Seal	Bearing Seal	Max. compression	: 16 kgf	
Lubrication interval	: -	-			
Lubricant amount	: -	-			
Lubricant type	: Mobil Polyrex EM				
Notes					
This revision replaces and cancel the previous one, which must be eliminated. (1) Looking the motor from the shaft end. (2) Measured at 1m and with tolerance of +3dB(A). (3) Approximate weight subject to changes after manufacturing process. (4) At 100% of full load.			These are average values based on tests with sinusoidal power supply, subject to the tolerances stipulated in NEMA MG-1.		
Rev.	Changes Summary		Performed	Checked	Date
Performed by					
Checked by					
Date	17/05/2022			Page	Revision
				1 / 2	

# LOAD PERFORMANCE CURVE

Three Phase Induction Motor - Squirrel Cage

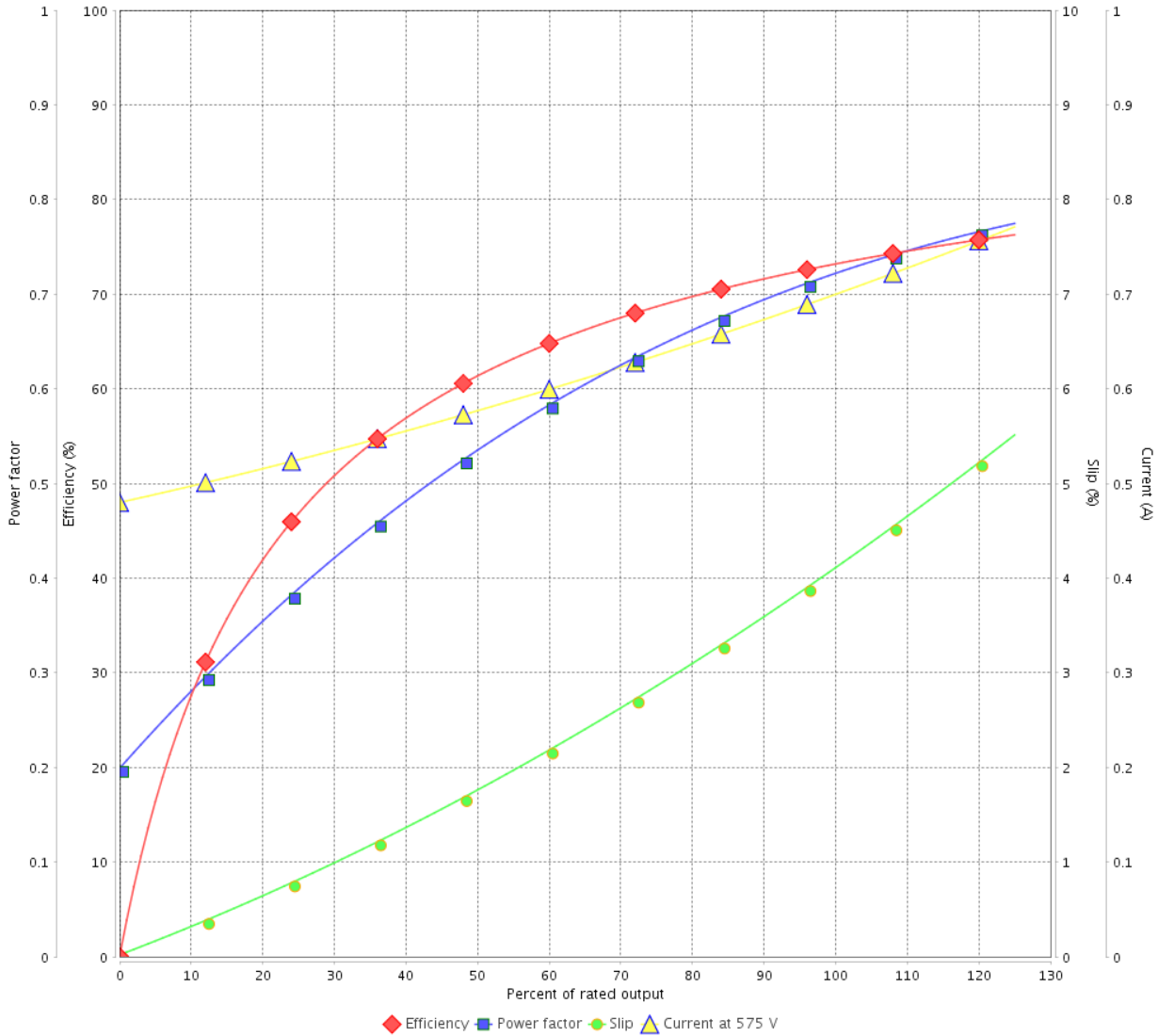


Customer :

Product line : Jet Pump - J type Premium  
Efficiency Three-Phase

Product code : 15366042

LOAD PERFORMANCE CURVE

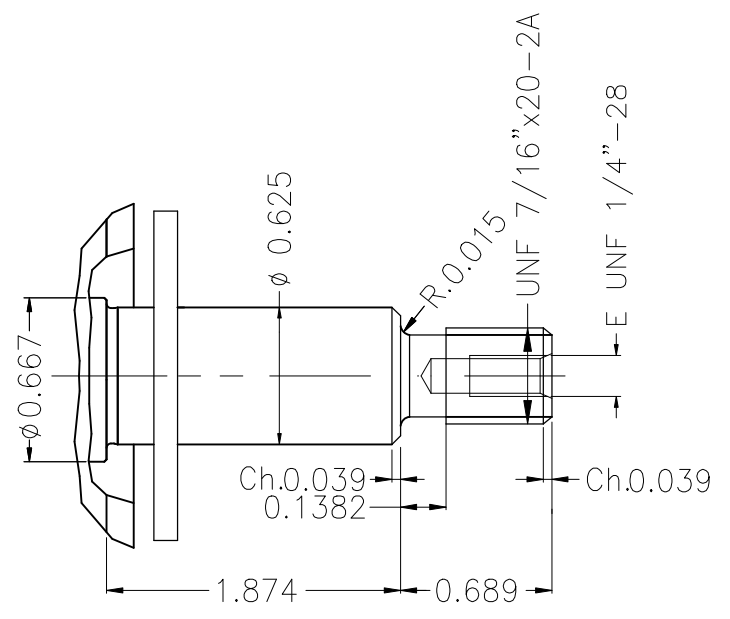
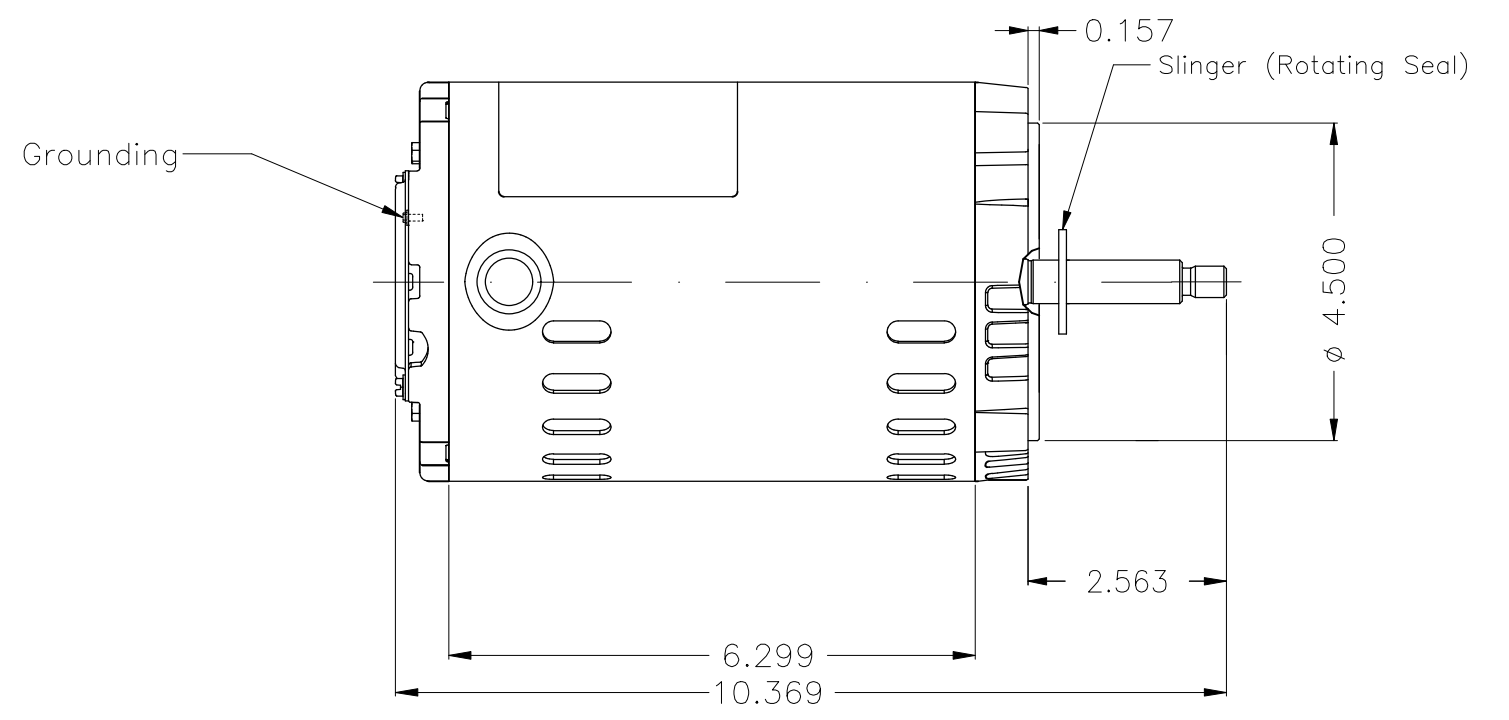
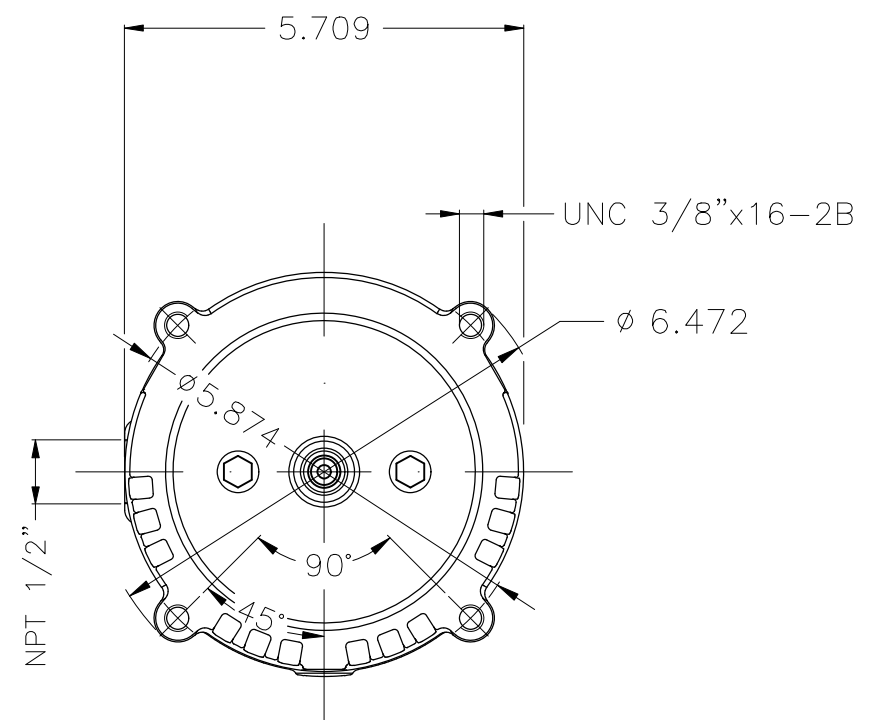


Performance : 575 V 60 Hz 2P

Rated current : 0.703 A  
LRC : 7.3  
Rated torque : 0.105 kgfm  
Locked rotor torque : 370 %  
Breakdown torque : 400 %  
Rated speed : 3450 rpm

Moment of inertia (J) : 0.0006 kgm<sup>2</sup>  
Duty cycle : Cont.(S1)  
Insulation class : F  
Service factor : 1.60  
Temperature rise : 80 K

Rev.	Changes Summary	Performed	Checked	Date
Performed by			Page 2 / 2	Revision
Checked by				
Date	17/05/2022			



Color Munsell N 1 matte black  
 Painting plan 207N  
 Mounting F-1/B14R(D)

ECM	LOC	SUMMARY OF MODIFICATIONS	EXECUTED	CHECKED	RELEASED	DATE	VER
EXECUTED	HYBRISUSER	THREE PH. MOTOR ROLLED STEEL JET PUMP THREADED PREL. SET					00
CHECKED		FRAME W56J IP21 ODP					
RELEASED							

REL. DATE: WMO Jaragua do Sul Product Engineering SHEET 1 / 1

WDD 00

PREVIEW

0.5 HP 02 Poles 60 Hz

A