

DATA SHEET

Three Phase Induction Motor - Squirrel Cage



Customer :					
Product line		: Premium Efficiency Three-Phase	Product code :	14338081	
Frame	: W56C	Cooling method	: IC01 - ODP		
Insulation class	: F	Mounting	: F-1		
Duty cycle	: Cont.(S1)	Rotation ¹	: Both (CW and CCW)		
Ambient temperature	: -20°C to +40°C	Starting method	: Direct On Line		
Altitude	: 1000 m.a.s.l.	Approx. weight ²	: 7.6 kg		
		Moment of inertia (J)	: 0.0008 kgm ²		
Output [HP]	1	1	1		
Poles	2	2	2		
Frequency [Hz]	60	50	50		
Rated voltage [V]	230/460	190-220/380	415		
Rated current [A]	2.94/1.47	3.52-3.04/1.76	1.72		
L. R. Amperes [A]	20.6/10.3	17.6-15.2/8.80	9.80		
LRC [A]	7.0x(Code K)	5.0x(Code G)	5.7x(Code H)		
No load current [A]	1.76/0.879	1.70-1.47/0.849	1.17		
Rated speed [RPM]	3420	2715	2770		
Slip [%]	5.00	9.50	7.67		
Rated torque [kgfm]	0.212	0.267	0.262		
Locked rotor torque [%]	310	220	280		
Breakdown torque [%]	330	210	260		
Service factor		1.25	1.00		
Temperature rise	80 K	105 K	105 K		
Locked rotor time	23s (cold) 13s (hot)	19s (cold) 11s (hot)	18s (cold) 10s (hot)		
Noise level ²	62.0 dB(A)		60.0 dB(A)		
Efficiency (%)	25%				
	50%	74.0	71.0	70.0	
	75%	75.5	72.0	73.0	
	100%	77.0	72.0	73.0	
Power Factor	25%				
	50%	0.61	0.71	0.59	
	75%	0.74	0.83	0.74	
	100%	0.83	0.90	0.83	
Bearing type	: Drive end 6203 ZZ Non drive end 6202 ZZ	Foundation loads			
Sealing	: Without Bearing Seal Without Bearing Seal	Max. traction	: 18 kgf		
		Max. compression	: 25 kgf		
Lubrication interval	: -				
Lubricant amount	: -				
Lubricant type	: Mobil Polyrex EM				
Notes USABLE @208V 3.25A SF 1.00 SFA 3.25A					
This revision replaces and cancel the previous one, which must be eliminated. (1) Looking the motor from the shaft end. (2) Measured at 1m and with tolerance of +3dB(A). (3) Approximate weight subject to changes after manufacturing process. (4) At 100% of full load.			These are average values based on tests with sinusoidal power supply, subject to the tolerances stipulated in NEMA MG-1.		
Rev.	Changes Summary		Performed	Checked	Date
Performed by					
Checked by				Page	Revision
Date	17/05/2022			1 / 4	

LOAD PERFORMANCE CURVE

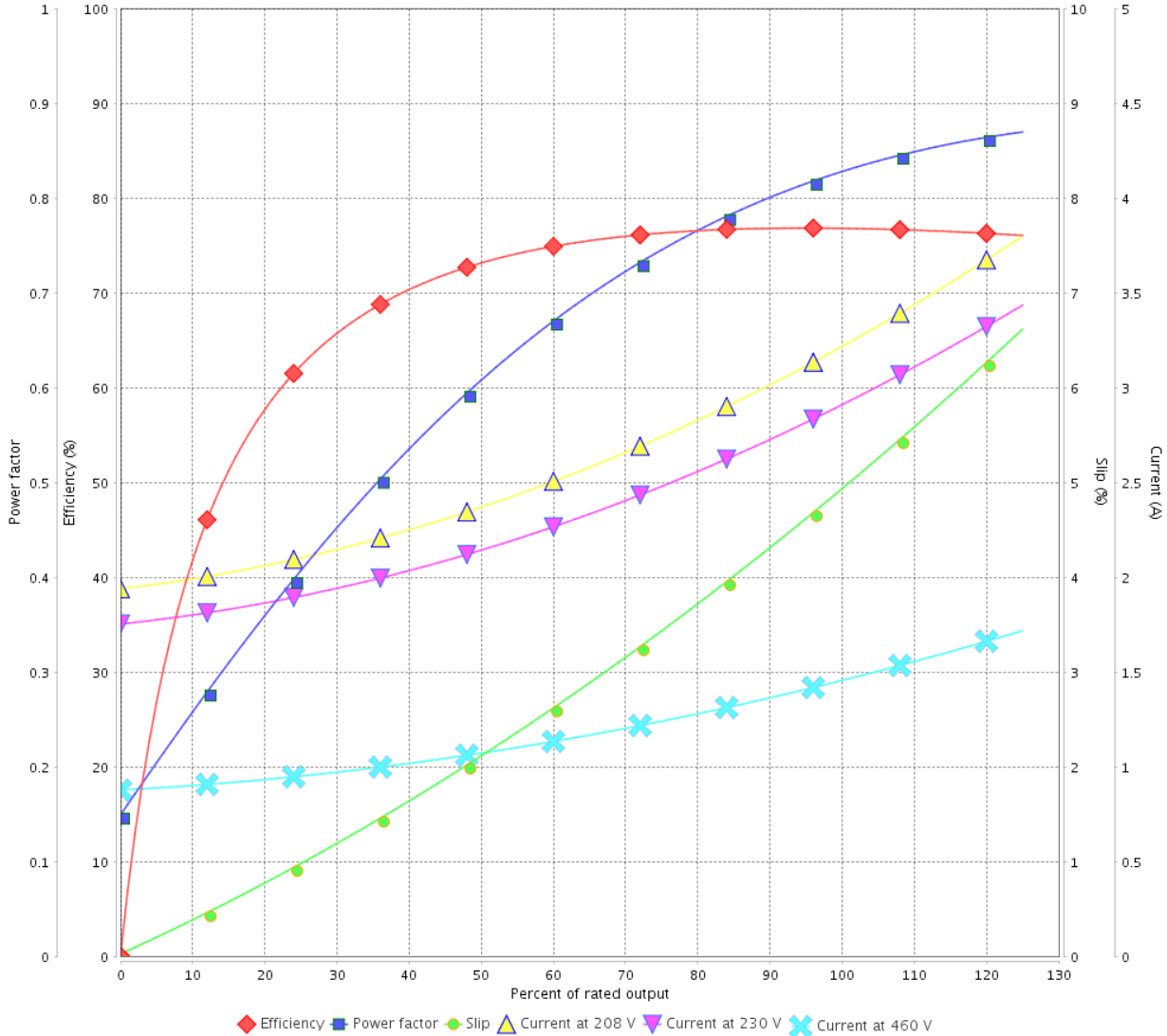
Three Phase Induction Motor - Squirrel Cage



Customer :

Product line : Premium Efficiency Three-Phase Product code : 14338081

LOAD PERFORMANCE CURVE



Performance : 230/460 V 60 Hz 2P

Rated current : 2.94/1.47 A
 LRC : 7.0
 Rated torque : 0.212 kgfm
 Locked rotor torque : 310 %
 Breakdown torque : 330 %
 Rated speed : 3420 rpm

Moment of inertia (J) : 0.0008 kgm²
 Duty cycle : Cont.(S1)
 Insulation class : F
 Service factor :
 Temperature rise : 80 K

Rev.	Changes Summary	Performed	Checked	Date
Performed by			Page 2 / 4	Revision
Checked by				
Date	17/05/2022			

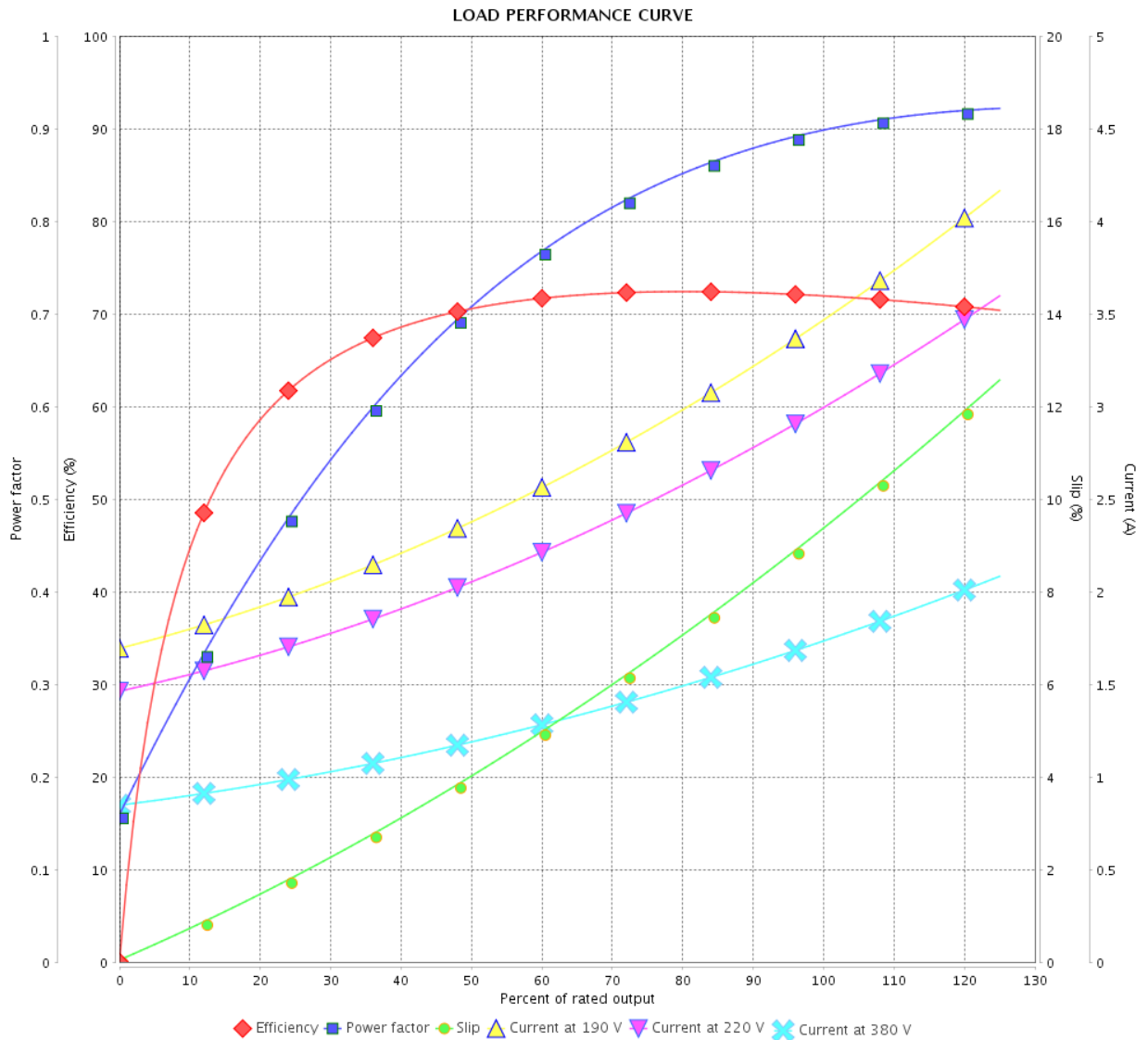
LOAD PERFORMANCE CURVE

Three Phase Induction Motor - Squirrel Cage



Customer : _____

Product line : Premium Efficiency Three-Phase Product code : 14338081



Performance : 190-220/380 V 50 Hz 2P

Rated current : 3.52-3.04/1.76 A
 LRC : 5.0
 Rated torque : 0.267 kgfm
 Locked rotor torque : 220 %
 Breakdown torque : 210 %
 Rated speed : 2715 rpm

Moment of inertia (J) : 0.0008 kgm²
 Duty cycle : Cont.(S1)
 Insulation class : F
 Service factor : 1.25
 Temperature rise : 105 K

Rev.	Changes Summary	Performed	Checked	Date
Performed by			Page	Revision
Checked by				
Date				

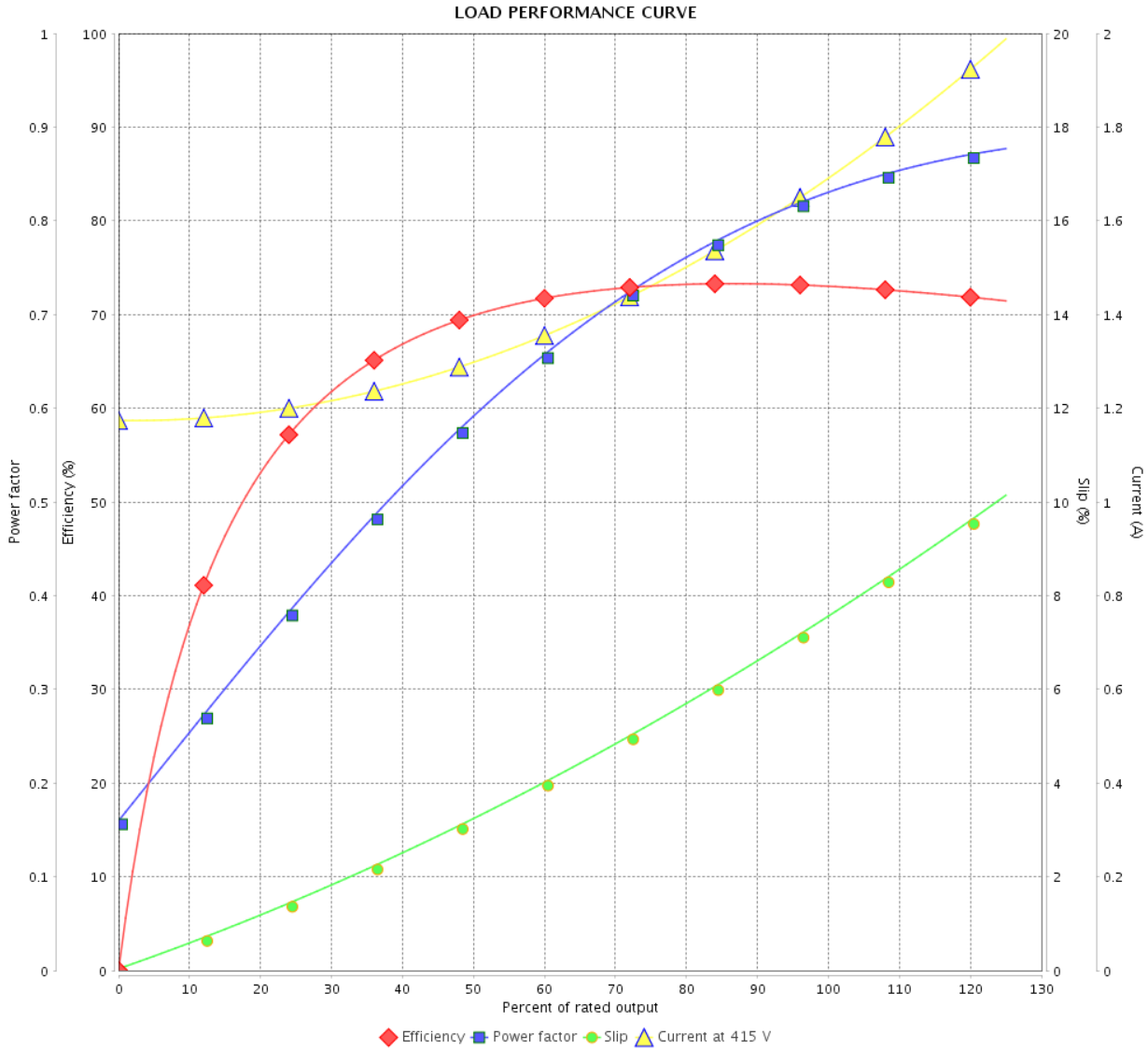
LOAD PERFORMANCE CURVE

Three Phase Induction Motor - Squirrel Cage



Customer :

Product line : Premium Efficiency Three-Phase Product code : 14338081



Performance : 415 V 50 Hz 2P

Rated current : 1.72 A
 LRC : 5.7
 Rated torque : 0.262 kgfm
 Locked rotor torque : 280 %
 Breakdown torque : 260 %
 Rated speed : 2770 rpm

Moment of inertia (J) : 0.0008 kgm²
 Duty cycle : Cont.(S1)
 Insulation class : F
 Service factor : 1.00
 Temperature rise : 105 K

Rev.	Changes Summary	Performed	Checked	Date
Performed by			Page 4 / 4	Revision
Checked by				
Date	17/05/2022			

1

2

3

4

5

6

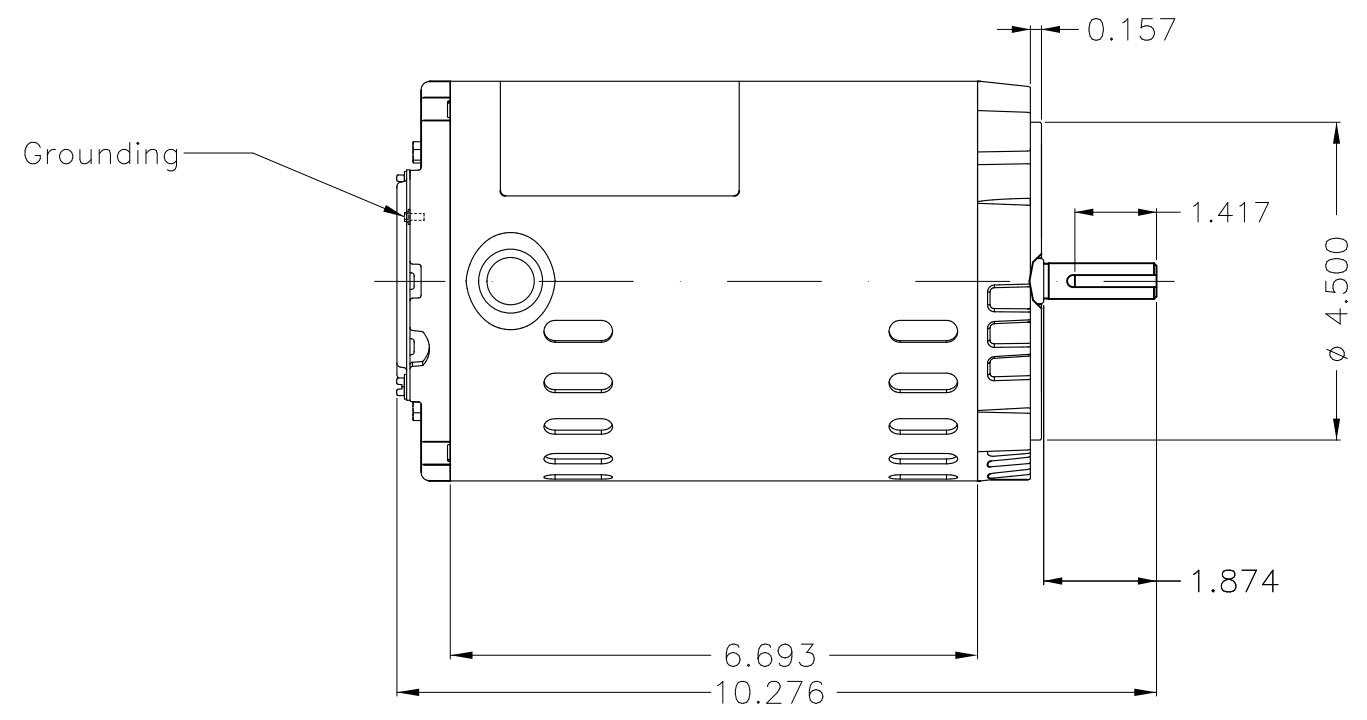
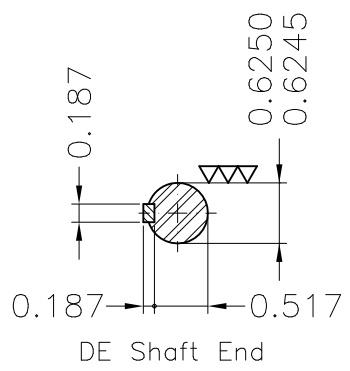
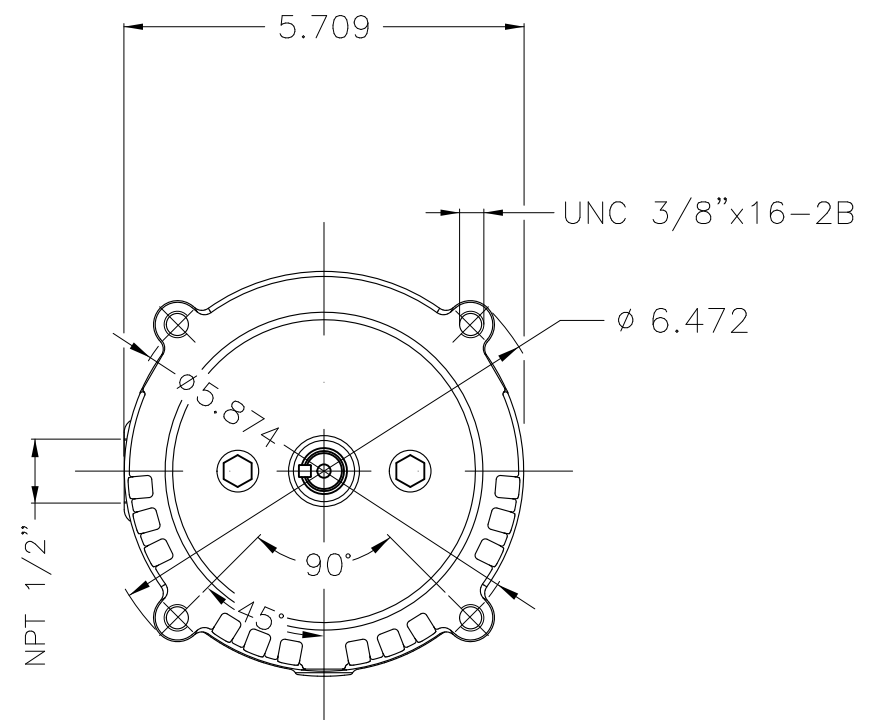
A


B

C

D

E



Color Munsell N 1 matte black						
Painting plan 207N						
Mounting F-1/B14R(D)						
				HYBRISUSER		00
ECM	LOC	SUMMARY OF MODIFICATIONS		EXECUTED	CHECKED	RELEASED DATE VER
EXECUTED	HYBRISUSER	THREE PH. MOTOR ROLLED STEEL PREM. EFF.			PREVIEW	
CHECKED		FRAME W56C IP21 ODP			WDD	00
RELEASED					SHEET	1 / 1
REL. DATE		WMO	Jaragua do Sul	Product Engineering		

1 HP 02 Poles 60 Hz

A

Dimensions in inches XME A3