

DATA SHEET

Three Phase Induction Motor - Squirrel Cage



Customer :

Product line : W22 P Base NEMA Premium Efficiency Three-Phase Product code : 15010603

Frame	: 182HP	Locked rotor time	: 28s (cold) 16s (hot)
Output	: 1.5 HP (1.1 kW)	Temperature rise	: 80 K
Poles	: 6	Duty cycle	: Cont.(S1)
Frequency	: 60 Hz	Ambient temperature	: -20°C to +40°C
Rated voltage	: 575 V	Altitude	: 1000 m.a.s.l.
Rated current	: 2.03 A	Protection degree	: IP55
L. R. Amperes	: 15.8 A	Cooling method	: IC411 - TEFC
LRC	: 7.8x(Code M)	Mounting	: W-6
No load current	: 1.30 A	Rotation ¹	: Both (CW and CCW)
Rated speed	: 1170 rpm	Noise level ²	: 52.0 dB(A)
Slip	: 2.50 %	Starting method	: Direct On Line
Rated torque	: 0.930 kgfm	Approx. weight ³	: 44.6 kg
Locked rotor torque	: 320 %		
Breakdown torque	: 400 %		
Insulation class	: F		
Service factor	: 1.25		
Moment of inertia (J)	: 0.0206 kgm ²		
Design	: B		

Output	50%	75%	100%	Foundation loads
Efficiency (%)	84.0	86.5	87.5	Max. traction
Power Factor	0.45	0.54	0.62	Max. compression

Losses at normative operating points (speed;torque), in percentage of rated output power

P1 (0,9;1,0)	P2 (0,5;1,0)	P3 (0,25;1,0)	P4 (0,9;0,5)	P5 (0,5;0,5)	P6 (0,5;0,25)	P7 (0,25;0,25)
13.4	10.3	9.3	8.8	5.8	4.8	3.5

		<u>Drive end</u>	<u>Non drive end</u>
Bearing type	:	6308 ZZ	6206 ZZ
Sealing	:	V'Ring	V'Ring
Lubrication interval	:	-	-
Lubricant amount	:	-	-
Lubricant type	:	Mobil Polyrex EM	

Notes

This revision replaces and cancel the previous one, which must be eliminated.

- (1) Looking the motor from the shaft end.
- (2) Measured at 1m and with tolerance of +3dB(A).
- (3) Approximate weight subject to changes after manufacturing process.
- (4) At 100% of full load.

These are average values based on tests with sinusoidal power supply, subject to the tolerances stipulated in NEMA MG-1.

Rev.	Changes Summary	Performed	Checked	Date
Performed by				Page 1 / 2
Checked by				
Date	29/10/2024			
				Revision

LOAD PERFORMANCE CURVE

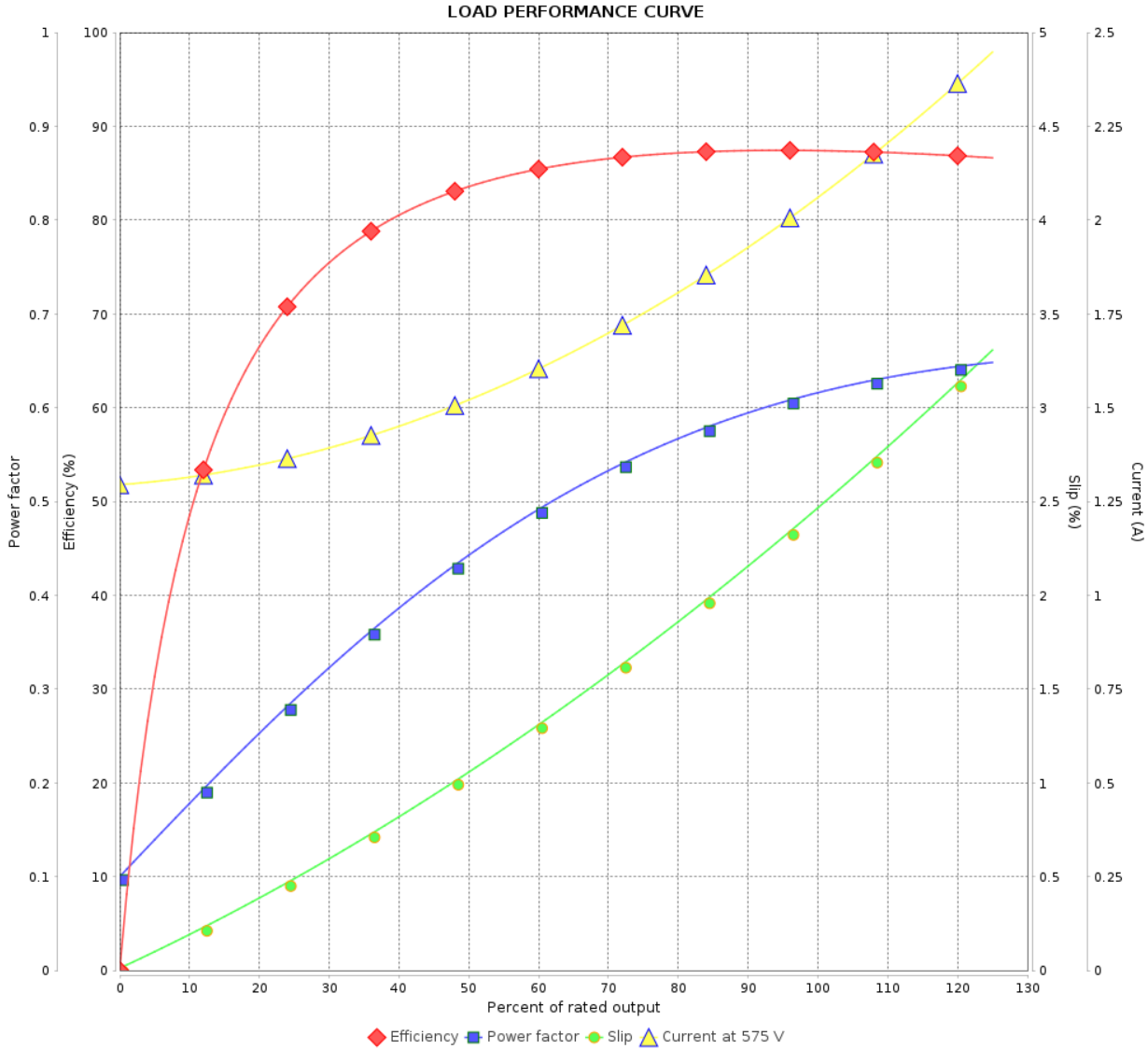
Three Phase Induction Motor - Squirrel Cage



Customer : _____

Product line : W22 P Base NEMA Premium
Efficiency Three-Phase

Product code : 15010603

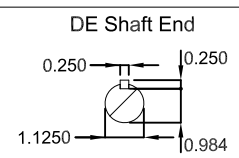
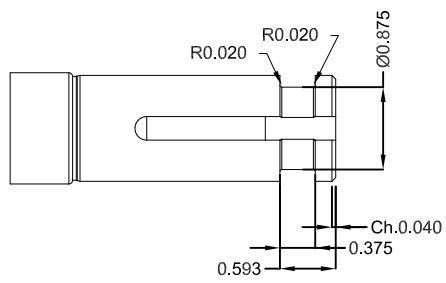
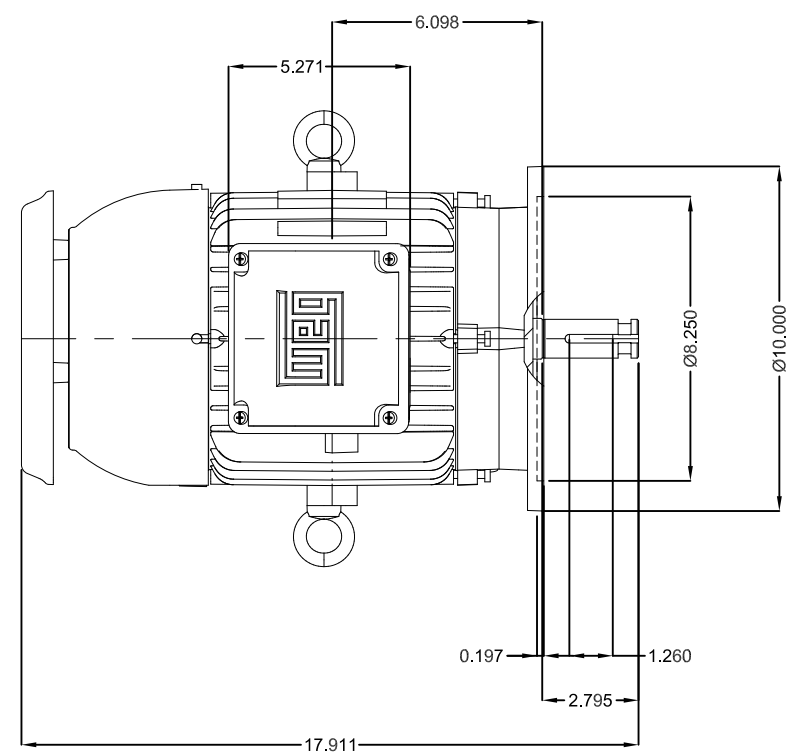
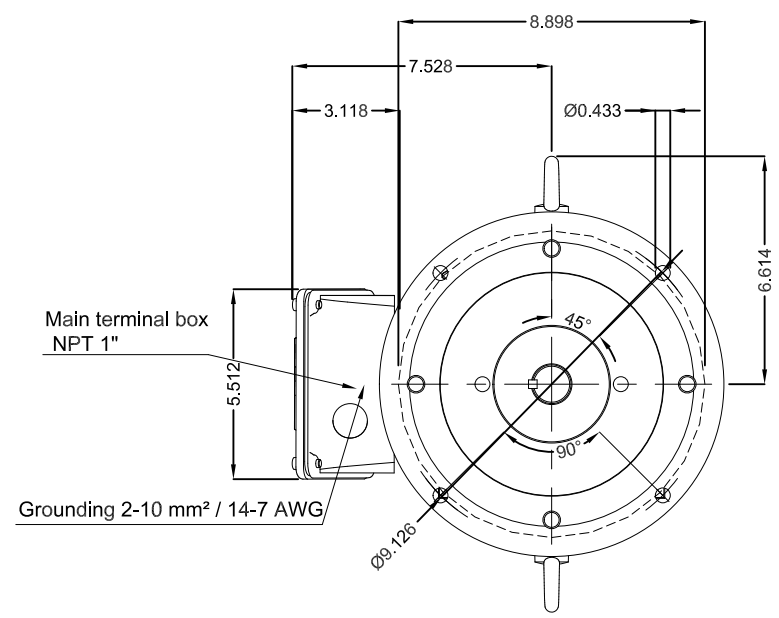
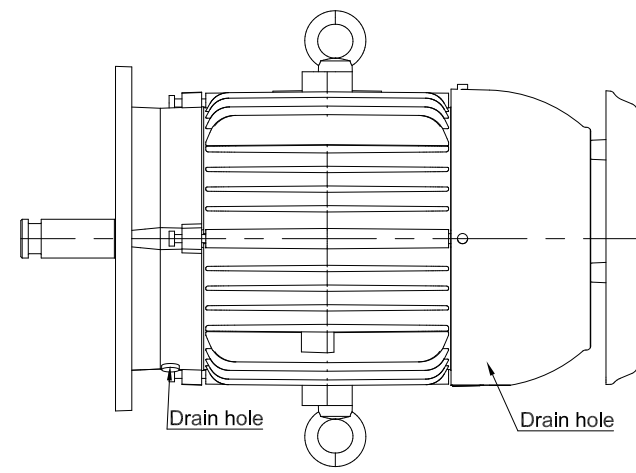


Performance : 575 V 60 Hz 6P

Rated current : 2.03 A
LRC : 7.8
Rated torque : 0.930 kgfm
Locked rotor torque : 320 %
Breakdown torque : 400 %
Rated speed : 1170 rpm

Moment of inertia (J) : 0.0206 kgm²
Duty cycle : Cont.(S1)
Insulation class : F
Service factor : 1.25
Temperature rise : 80 K
Design : B

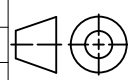
Rev.	Changes Summary	Performed	Checked	Date
Performed by			Page 2 / 2	Revision
Checked by				
Date	29/10/2024			



Color RAL 5009
 Painting plan 207A
 Mounting NEMA W-6
 Mounting V1

1.5 HP 06 Poles 60 Hz A

ECM		LOC	SUMMARY OF MODIFICATIONS		HYBRISUSER					00
EXECUTED					EXECUTED	CHECKED	RELEASED	DATE	VER	
CHECKED										
RELEASED										
REL. DATE										



THREE PH. MOTOR W22 P. BASE NEMA PREM. EFF.
 FRAME 182HP IP55 TEFC

PREVIEW
 WDD | 00
 SHEET /

