

DATA SHEET



Single Phase Induction Motor - Squirrel Cage

Customer :

Product line : W22 Single-Phase Product code : 14984814

Frame	: 143/5T	Locked rotor time	: 12s (cold) 7s (hot)
Output	: 1 HP (0.75 kW)	Temperature rise	: 80 K
Poles	: 4	Duty cycle	: Cont.(S1)
Frequency	: 60 Hz	Ambient temperature	: -20°C to +40°C
Rated voltage	: 115/208-230 V	Altitude	: 1000 m.a.s.l.
Rated current	: 10.7/5.50-5.33 A	Protection degree	: IP55
L. R. Amperes	: 89.5/46.2-44.8 A	Cooling method	: IC411 - TEFC
LRC	: 8.4x(Code M)	Mounting	: F-1
No load current	: 6.40/2.76-3.20 A	Rotation ¹	: Both (CW and CCW)
Rated speed	: 1665 rpm	Noise level ²	: 58.0 dB(A)
Slip	: 7.50 %	Starting method	: Direct On Line
Rated torque	: 0.436 kgfm	Approx. weight ³	: 27.2 kg
Locked rotor torque	: 270 %		
Breakdown torque	: 300 %		
Insulation class	: F		
Service factor	: 1.15		
Moment of inertia (J)	: 0.0055 kgm ²		

Output	50%	75%	100%	Foundation loads	
Efficiency (%)	59.0	68.0	72.0	Max. traction	: 23 kgf
Power Factor	0.69	0.79	0.85	Max. compression	: 51 kgf

		<u>Drive end</u>	<u>Non drive end</u>
Bearing type	:	6205 ZZ	6203 ZZ
Sealing	:	V'Ring	V'Ring
Lubrication interval	:	-	-
Lubricant amount	:	-	-
Lubricant type	:	Mobil Polyrex EM	

Notes

This revision replaces and cancel the previous one, which must be eliminated.

- (1) Looking the motor from the shaft end.
- (2) Measured at 1m and with tolerance of +3dB(A).
- (3) Approximate weight subject to changes after manufacturing process.
- (4) At 100% of full load.

These are average values based on tests with sinusoidal power supply, subject to the tolerances stipulated in NEMA MG-1.

Rev.	Changes Summary	Performed	Checked	Date
Performed by				
Checked by			Page	Revision
Date	29/10/2024		1 / 2	

LOAD PERFORMANCE CURVE

Single Phase Induction Motor - Squirrel Cage

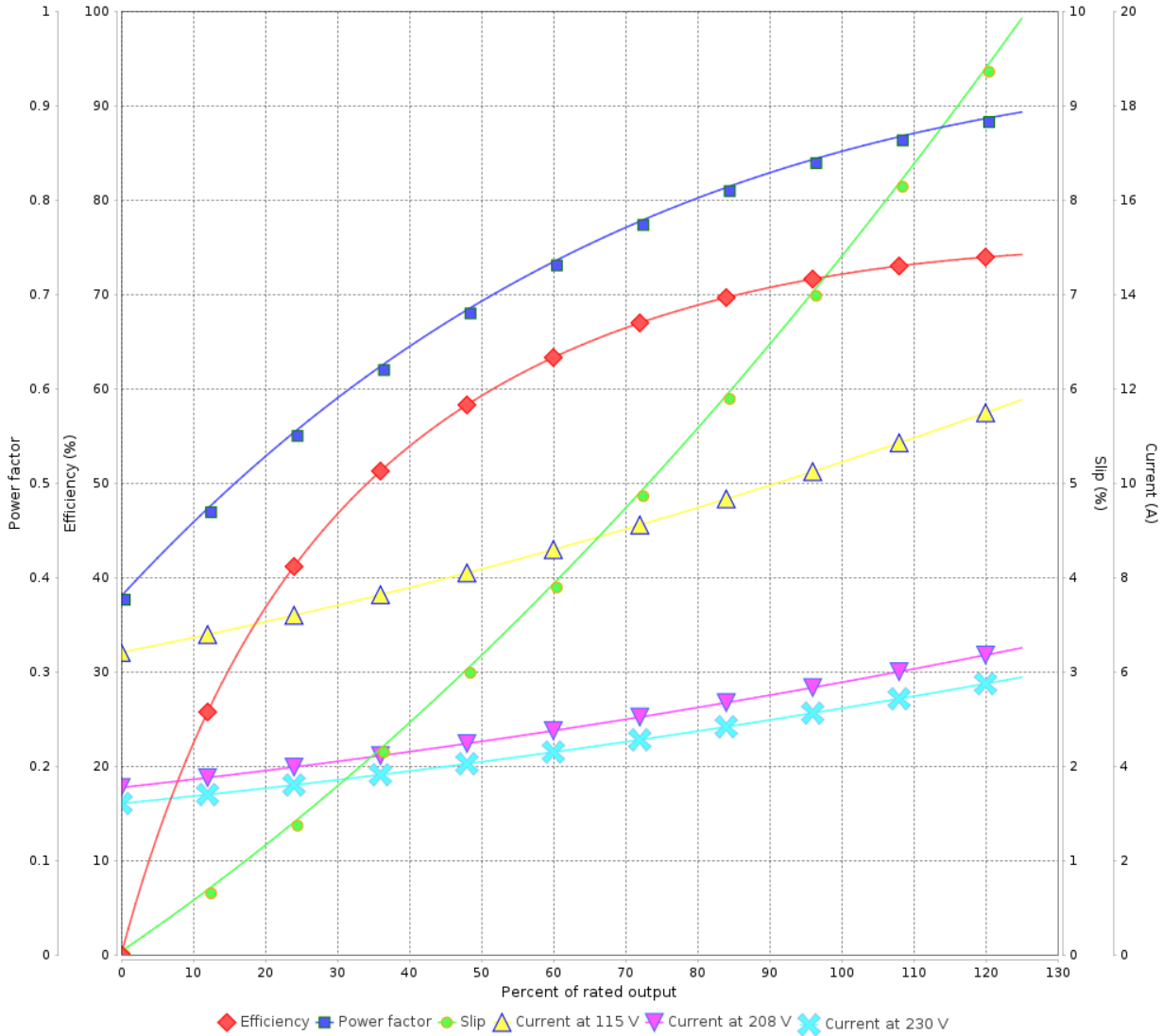


Customer :

Product line : W22 Single-Phase

Product code : 14984814

LOAD PERFORMANCE CURVE



Performance : 115/208-230 V 60 Hz 4P

Rated current : 10.7/5.50-5.33 A
 LRC : 8.4
 Rated torque : 0.436 kgfm
 Locked rotor torque : 270 %
 Breakdown torque : 300 %
 Rated speed : 1665 rpm

Moment of inertia (J) : 0.0055 kgm²
 Duty cycle : Cont.(S1)
 Insulation class : F
 Service factor :
 Temperature rise : 80 K

Rev.	Changes Summary	Performed	Checked	Date
Performed by			Page	Revision
Checked by				
Date				

1 2 3 4 5 6

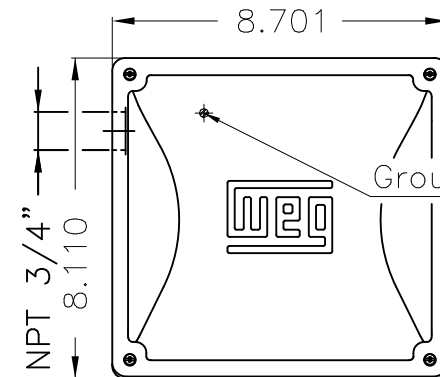
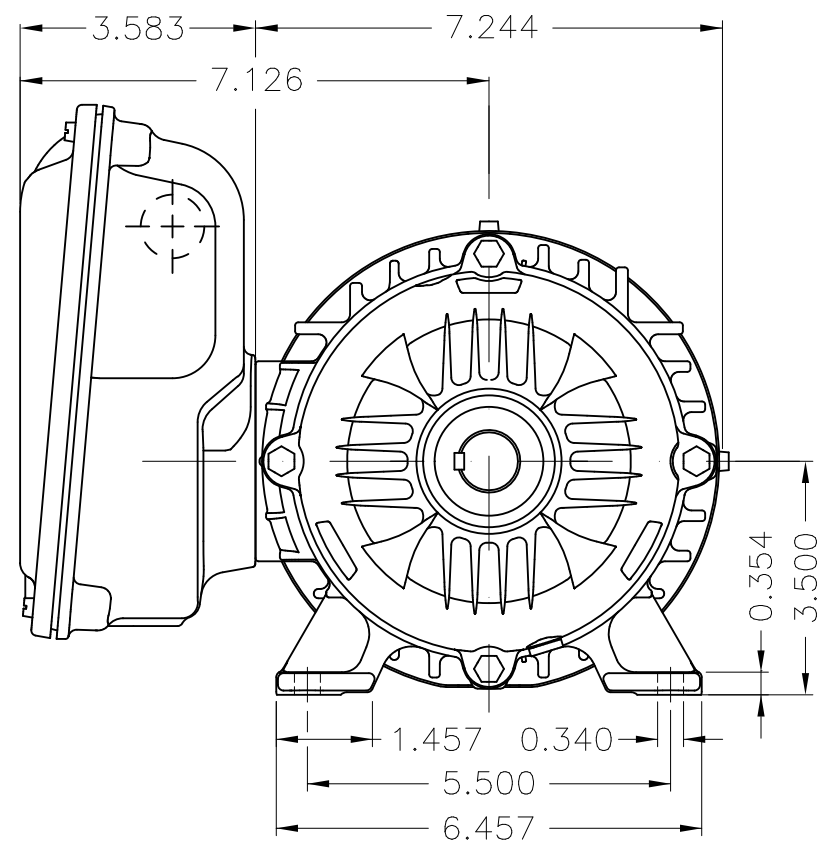
A

B

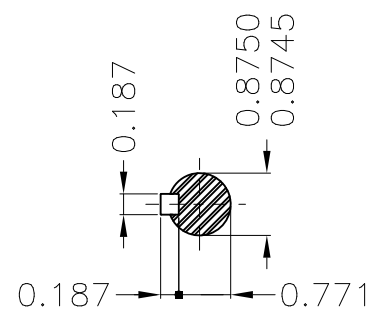
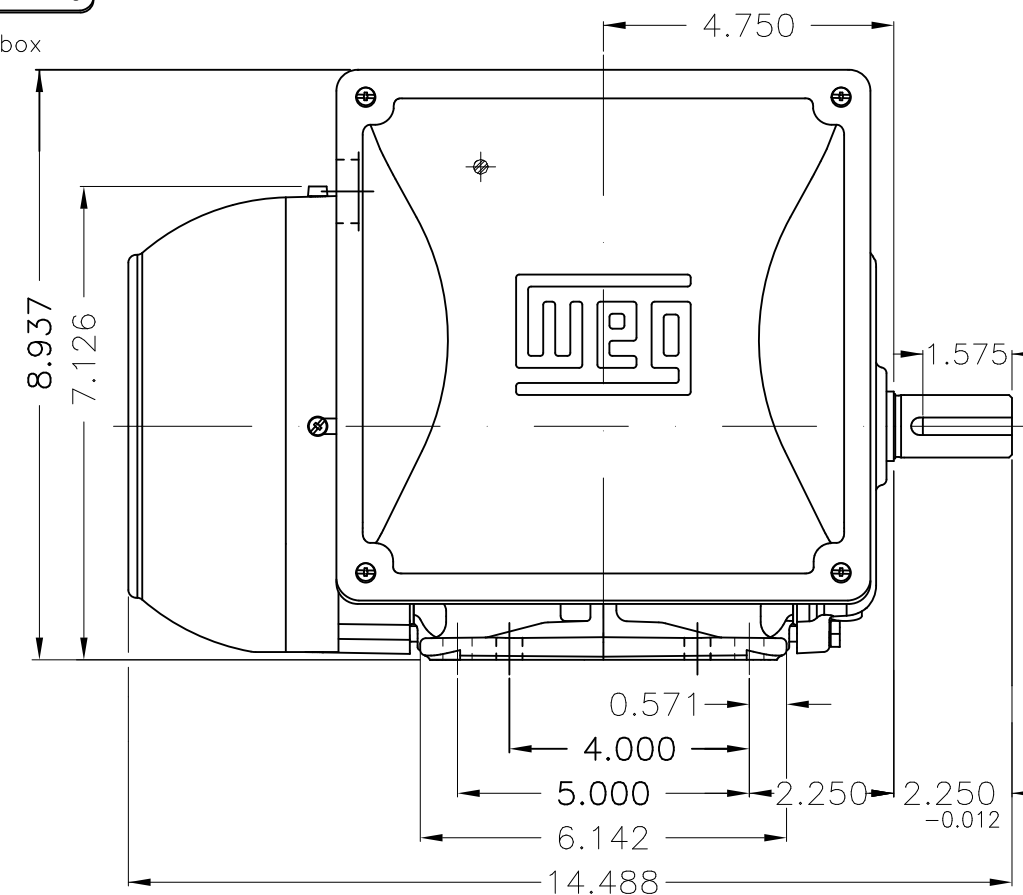
C

D

E



Main terminal box



DE Shaft End

Mounting NEMA F-1					
Mounting B3R(D)					
				HYBRISUSER	00
ECM	LOC	SUMMARY OF MODIFICATIONS		EXECUTED	CHECKED
EXECUTED	HYBRISUSER	SINGLE PH. MOTOR W22			
CHECKED		FRAME 143/5T IP55 TEFC			
RELEASED					
REL. DATE		WMO	Jaragua do Sul	Product Engineering	
				PREVIEW	
				WDD	00
				SHEET 1 / 1	

1 HP 04 Poles 60 Hz

A

