

DATA SHEET

Single Phase Induction Motor - Squirrel Cage



Customer	:			
Product line	: Jet Pump - C type Single-Phase	Product code : 14580088		
Frame	: W56C	Cooling method : IC01 - ODP		
Insulation class	: F	Mounting : F-1		
Duty cycle	: Cont.(S1)	Rotation ¹ : CCW		
Ambient temperature	: -20°C to +40°C	Starting method : Direct On Line		
Altitude	: 1000 m.a.s.l.	Approx. weight ³ : 9.4 kg		
Design	: N	Moment of inertia (J) : 0.0011 kgm ²		
Output [HP]		0.5		
Poles		2		
Frequency [Hz]		60		
Rated voltage [V]		115/208-230		
Rated current [A]		4.80/2.65-2.40		
L. R. Amperes [A]		3.84/2.12-1.92		
LRC [A]		0.8x(Code A)		
No load current [A]		1.60/0.690-0.800		
Rated speed [RPM]		3510		
Slip [%]		2.50		
Rated torque [kgfm]		0.103		
Locked rotor torque [%]		270		
Breakdown torque [%]		300		
Service factor				
Temperature rise		80 K		
Locked rotor time		16s (cold) 9s (hot)		
Noise level ²		56.0 dB(A)		
Efficiency (%)	25%	56.6		
	50%	60.0		
	75%	68.0		
	100%	72.4		
Power Factor	25%	0.64		
	50%	0.90		
	75%	0.93		
	100%	0.94		
Bearing type	: <u>Drive end</u> 6203 2RS <u>Non drive end</u> 6202 2RS	Foundation loads		
Sealing	: Without Bearing Seal Without Bearing Seal	Max. traction : 5 kgf		
Lubrication interval	: - -	Max. compression : 14 kgf		
Lubricant amount	: - -			
Lubricant type	: Mobil Polyrex EM			
Notes				
<p>This revision replaces and cancel the previous one, which must be eliminated.</p> <p>(1) Looking the motor from the shaft end.</p> <p>(2) Measured at 1m and with tolerance of +3dB(A).</p> <p>(3) Approximate weight subject to changes after manufacturing process.</p> <p>(4) At 100% of full load.</p>		<p>These are average values based on tests with sinusoidal power supply, subject to the tolerances stipulated in NEMA MG-1.</p>		
Rev.	Changes Summary	Performed	Checked	Date
Performed by				
Checked by			Page	Revision
Date	17/05/2022		1 / 2	

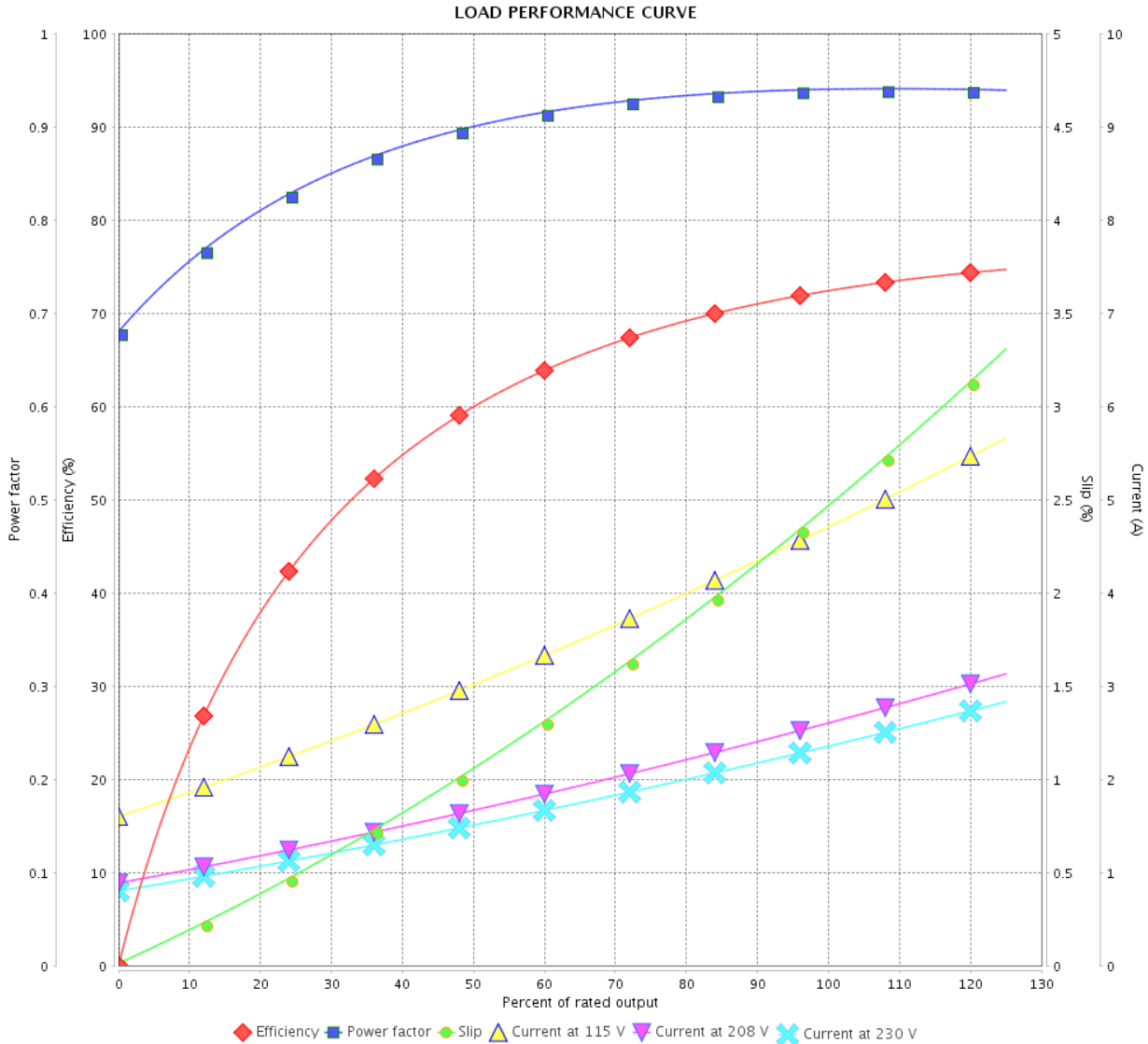
LOAD PERFORMANCE CURVE

Single Phase Induction Motor - Squirrel Cage



Customer :

Product line : Jet Pump - C type Single-Phase Product code : 14580088



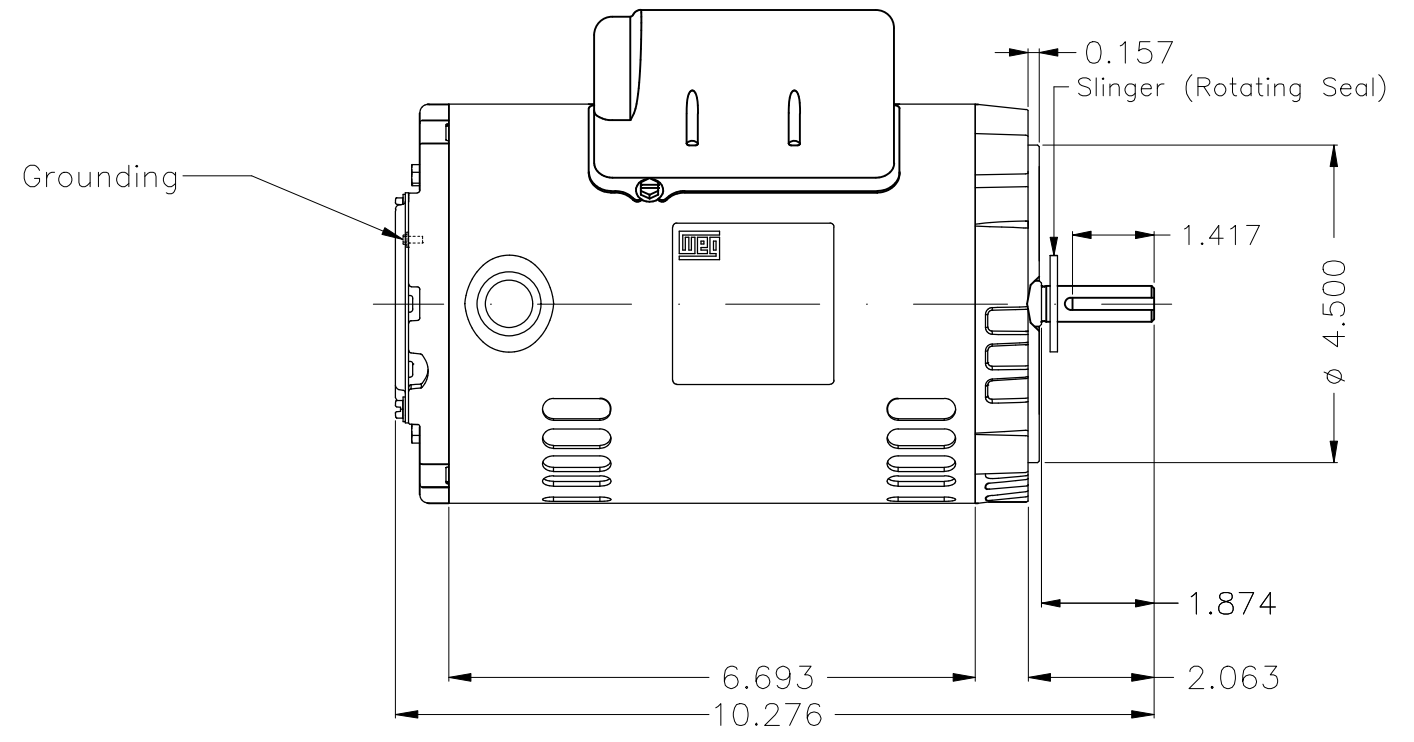
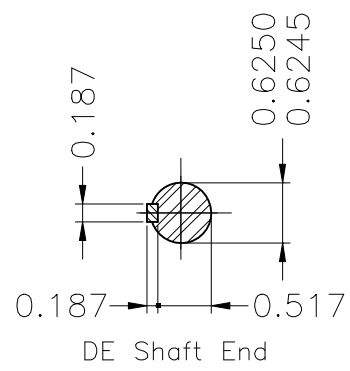
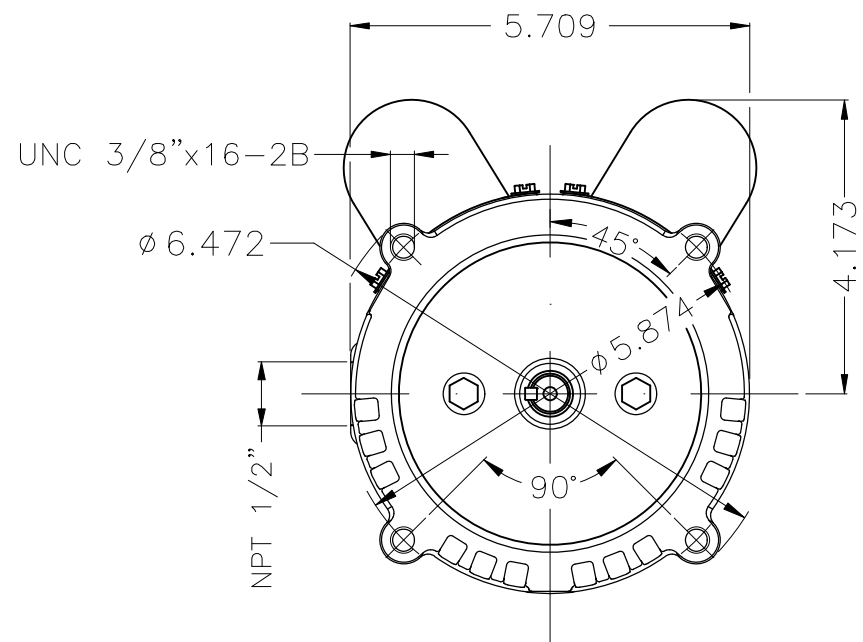
Performance : 115/208-230 V 60 Hz 2P

Rated current : 4.80/2.65-2.40 A
 LRC : 0.8
 Rated torque : 0.103 kgfm
 Locked rotor torque : 270 %
 Breakdown torque : 300 %
 Rated speed : 3510 rpm

Moment of inertia (J) : 0.0011 kgm²
 Duty cycle : Cont.(S1)
 Insulation class : F
 Service factor :
 Temperature rise : 80 K
 Design : N

Rev.	Changes Summary	Performed	Checked	Date
Performed by			Page 2 / 2	Revision
Checked by				
Date	17/05/2022			

A
B
C
D
E



Color Munsell N 1 matte black												
Painting plan 207N												
Mounting F-1/B14R(D)												
										HYBRISUSER	00	
	ECM	LOC	SUMMARY OF MODIFICATIONS					EXECUTED	CHECKED	RELEASED	DATE	VER
	EXECUTED	HYBRISUSER	SINGLE PH. MOTOR ROLLED STEEL JET PUMP KEYED PREM. EFF. FRAME W56C IP21 ODP									
	CHECKED											
	RELEASED											
	REL. DATE		WMO	Jaragua do Sul	Product Engineering							

0.5 HP 02 Poles 60 Hz

A

PREVIEW
WDD 00

