

DATA SHEET



Single Phase Induction Motor - Squirrel Cage

Customer :					
Product line		: W22 00022 Single-Phase		Product code : 14790495	
Frame	: 182/4TC	Locked rotor time	: 14s (cold) 8s (hot)		
Output	: 3 HP (2.2 kW)	Temperature rise	: 80 K		
Poles	: 4	Duty cycle	: Cont.(S1)		
Frequency	: 60 Hz	Ambient temperature	: -20°C to +40°C		
Rated voltage	: 230 V	Altitude	: 1000 m.a.s.l.		
Rated current	: 13.8 A	Protection degree	: IP55		
L. R. Amperes	: 106 A	Cooling method	: IC411 - TEFC		
LRC	: 7.7x(Code K)	Mounting	: F-1		
No load current	: 6.70 A	Rotation ¹	: Both (CW and CCW)		
Rated speed	: 1745 rpm	Noise level ²	: 60.0 dB(A)		
Slip	: 3.06 %	Starting method	: Direct On Line		
Rated torque	: 1.25 kgfm	Approx. weight ³	: 49.9 kg		
Locked rotor torque	: 290 %				
Breakdown torque	: 270 %				
Insulation class	: F				
Service factor	: 1.15				
Moment of inertia (J)	: 0.0157 kgm ²				
Output	50%	75%	100%	Foundation loads	
Efficiency (%)	65.0	74.0	77.0	Max. traction : 45 kgf	
Power Factor	0.79	0.87	0.90	Max. compression : 95 kgf	
		<u>Drive end</u>		<u>Non drive end</u>	
Bearing type	:	6207 2RS		6206 2RS	
Sealing	:	V'Ring		V'Ring	
Lubrication interval	:	-		-	
Lubricant amount	:	-		-	
Lubricant type	:	Mobil Polyrex EM			
Notes					
<p>This revision replaces and cancel the previous one, which must be eliminated.</p> <p>(1) Looking the motor from the shaft end.</p> <p>(2) Measured at 1m and with tolerance of +3dB(A).</p> <p>(3) Approximate weight subject to changes after manufacturing process.</p> <p>(4) At 100% of full load.</p>			<p>These are average values based on tests with sinusoidal power supply, subject to the tolerances stipulated in NEMA MG-1.</p>		
Rev.	Changes Summary		Performed	Checked	Date
Performed by					
Checked by				Page	Revision
Date	29/10/2024			1 / 2	

LOAD PERFORMANCE CURVE

Single Phase Induction Motor - Squirrel Cage

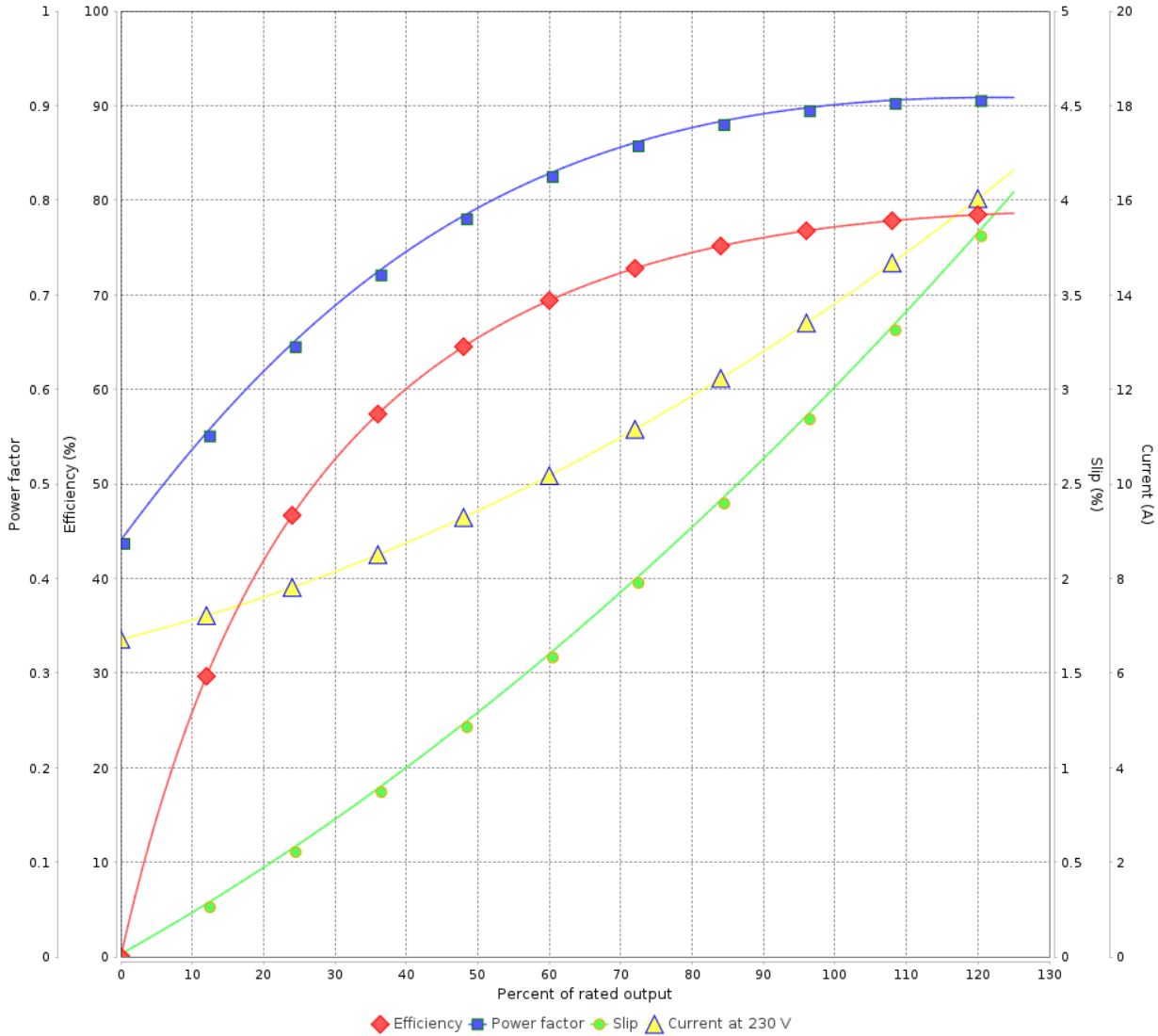


Customer :

Product line : W22 00022 Single-Phase

Product code : 14790495

LOAD PERFORMANCE CURVE



Performance : 230 V 60 Hz 4P

Rated current : 13.8 A
 LRC : 7.7
 Rated torque : 1.25 kgfm
 Locked rotor torque : 290 %
 Breakdown torque : 270 %
 Rated speed : 1745 rpm

Moment of inertia (J) : 0.0157 kgm²
 Duty cycle : Cont.(S1)
 Insulation class : F
 Service factor : 1.15
 Temperature rise : 80 K

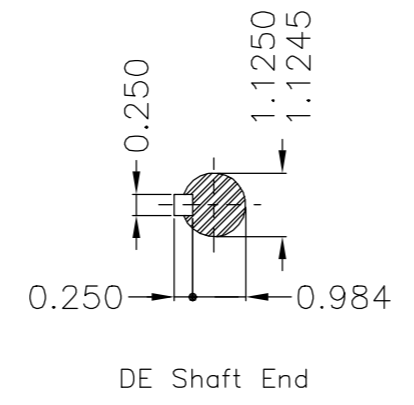
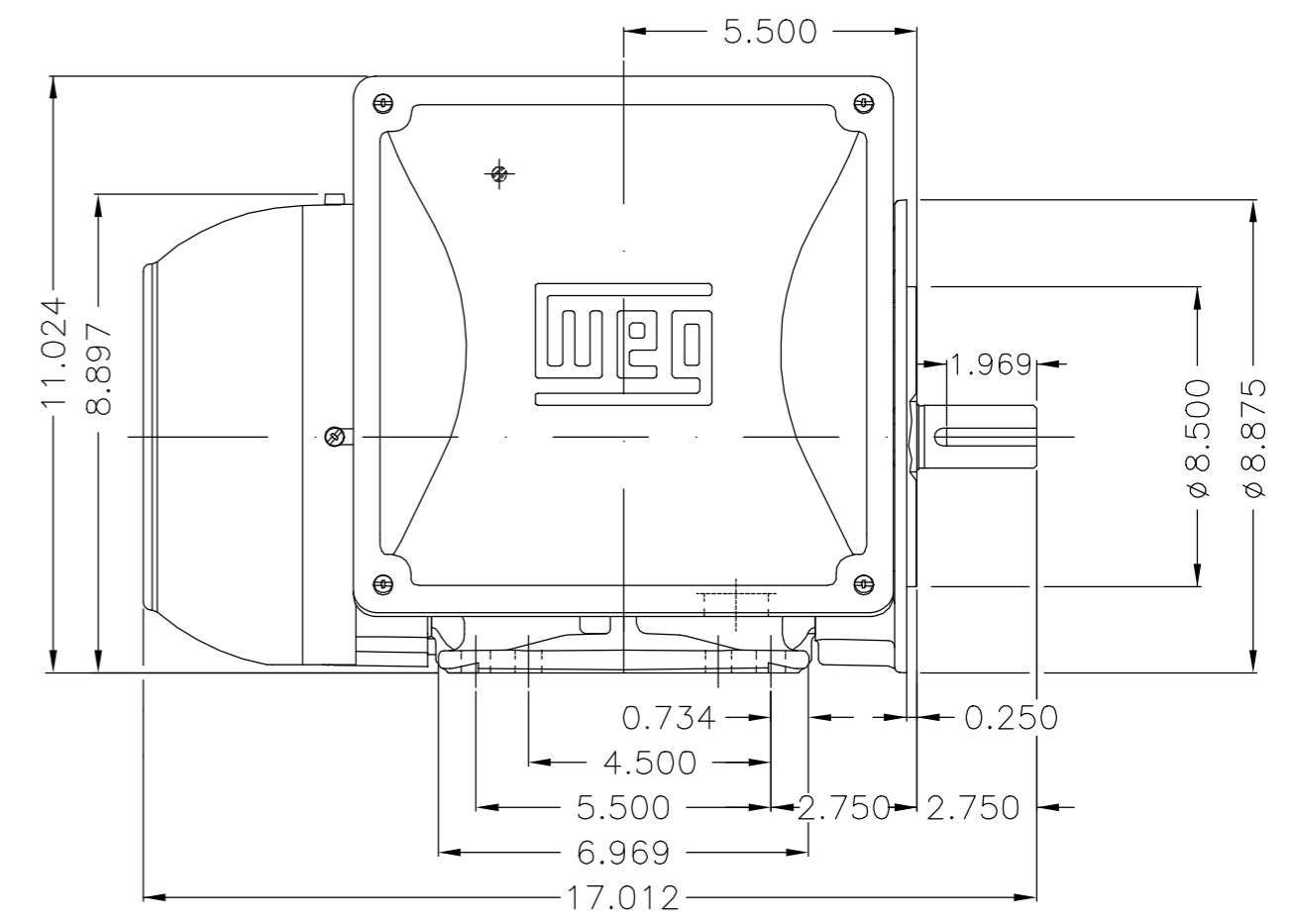
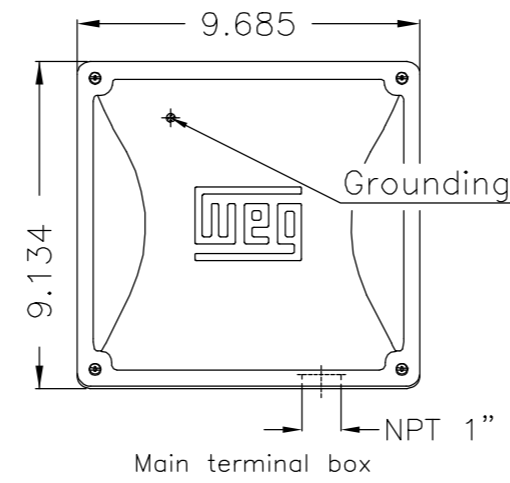
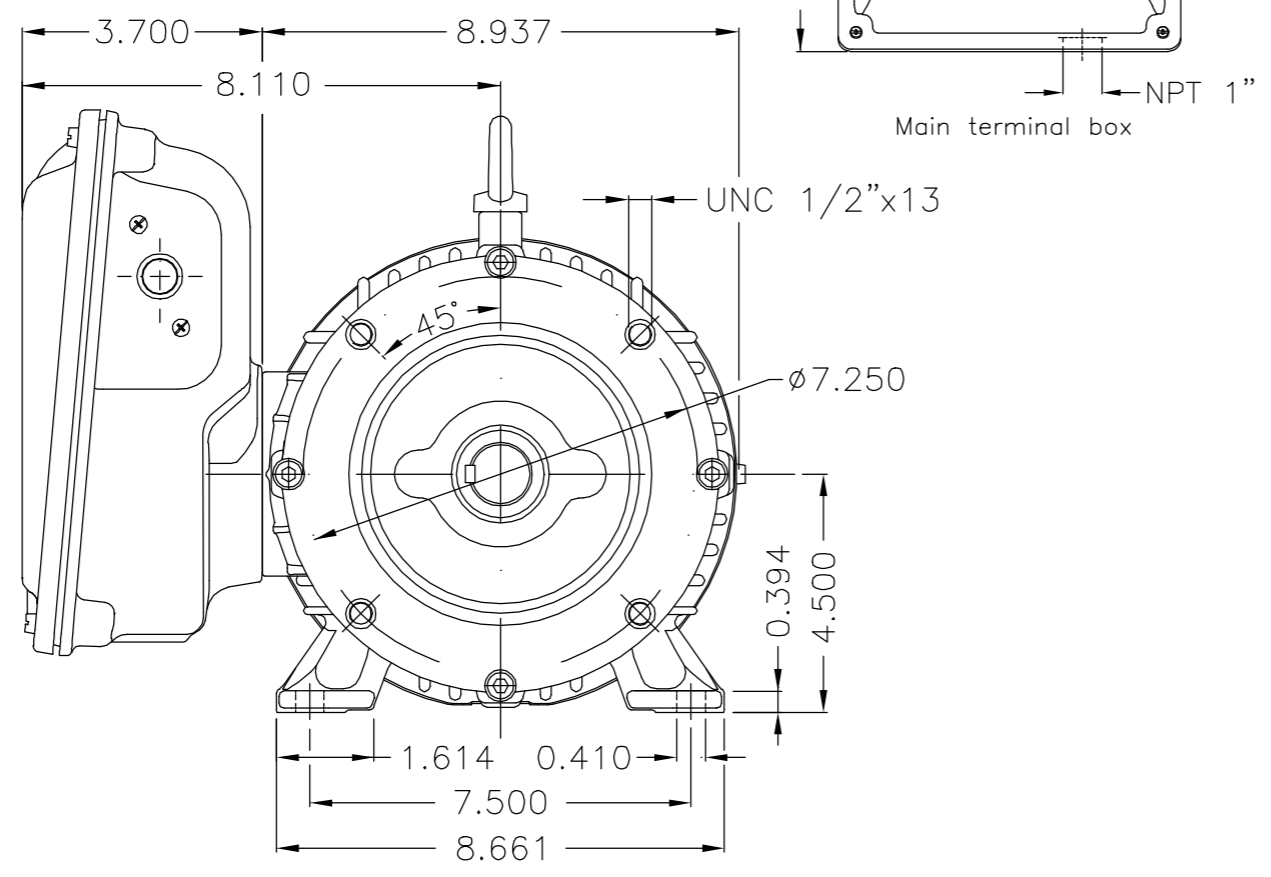
Rev.	Changes Summary	Performed	Checked	Date
Performed by			Page 2 / 2	Revision
Checked by				
Date	29/10/2024			

EIXO/SHAFT	
PADRÃO/STANDARD	X Dimensões em polegada
OPCIONAL/OPTIONAL	
ESPECIAL/SPECIAL	Dimensions in inches

CERTIFIED WEG MOTORES
 Certified document.
 Not subject to changes.

THIS IS AN UPDATED REVISION, THE PREVIOUS ONE MUST BE DISREGARDED.

A
B
C
D
E



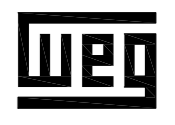
Protetor térmico fenólico - manual / Phenolic thermal protector - manual
 Saída dos cabos para baixo olhando para a ponta do eixo
 Outlet leads directed to down when looking at shaft end
 Forma construtiva NEMA F-1 / Mounting NEMA F-1
 Forma construtiva B34D / Mounting B34R(D)

WEG EQUIPAMENTOS ELETRICOS S/A

500001562233	DOCUMENTO NOVO	SANDRESSA	EMERSONRH	EMERSONRH	22.02.2019	00			
ECM	LOC	SUMMARY OF MODIFICATIONS			EXECUTED	CHECKED	RELEASED	DATE	VER
EXECUTED	SANDRESSA	SINGLE PHASE MOTOR W22 FARM DUTY NEMA			10006401413				
CHECKED	EMERSONRH	FRAME 182/4TC IP55 TEFC			000 00				
RELEASED	EMERSONRH								
REL DT	22.02.2019	WMO	Jaragua do Sul	Product Engineering	SHEET	01 / 01			

3 HP 04 Poles 60Hz

415367116 A



UNCONTROLLED COPY
RELEASED
ZME A3