

DATA SHEET



Three Phase Induction Motor - Squirrel Cage

Customer	:				
Product line	: JP Pump NEMA Premium Efficiency Three-Phase	Product code :	12682726		
Frame	: 213/5JP	Cooling method	: IC01 - ODP		
Insulation class	: F	Mounting	: F-1		
Duty cycle	: Cont.(S1)	Rotation ¹	: Both (CW and CCW)		
Ambient temperature	: -20°C to +40°C	Starting method	: Direct On Line		
Altitude	: 1000 m.a.s.l.	Approx. weight ³	: 57.9 kg		
Design	: B	Moment of inertia (J)	: 0.0433 kgm ²		
Output [HP]	7.5				
Poles	4				
Frequency [Hz]	60				
Rated voltage [V]	575				
Rated current [A]	7.40				
L. R. Amperes [A]	53.3				
LRC [A]	7.2x(Code H)				
No load current [A]	3.51				
Rated speed [RPM]	1770				
Slip [%]	1.67				
Rated torque [kgfm]	3.08				
Locked rotor torque [%]	240				
Breakdown torque [%]	320				
Service factor	1.15				
Temperature rise	80 K				
Locked rotor time	23s (cold) 13s (hot)				
Noise level ²	59.0 dB(A)				
Efficiency (%)	25%				
	50%	89.5			
	75%	90.2			
	100%	91.0			
Power Factor	25%				
	50%	0.65			
	75%	0.77			
	100%	0.82			
Bearing type	: Drive end	Non drive end	Foundation loads		
Sealing	: 6209 ZZ	6206 ZZ	Max. traction	: 153 kgf	
Lubrication interval	: Without	Without	Max. compression	: 211 kgf	
Lubricant amount	: Bearing Seal	Bearing Seal			
Lubricant type	: -	-			
Notes					
This revision replaces and cancel the previous one, which must be eliminated. (1) Looking the motor from the shaft end. (2) Measured at 1m and with tolerance of +3dB(A). (3) Approximate weight subject to changes after manufacturing process. (4) At 100% of full load.			These are average values based on tests with sinusoidal power supply, subject to the tolerances stipulated in NEMA MG-1.		
Rev.	Changes Summary		Performed	Checked	Date
Performed by					
Checked by				Page	Revision
Date	17/05/2022			1 / 2	

LOAD PERFORMANCE CURVE

Three Phase Induction Motor - Squirrel Cage

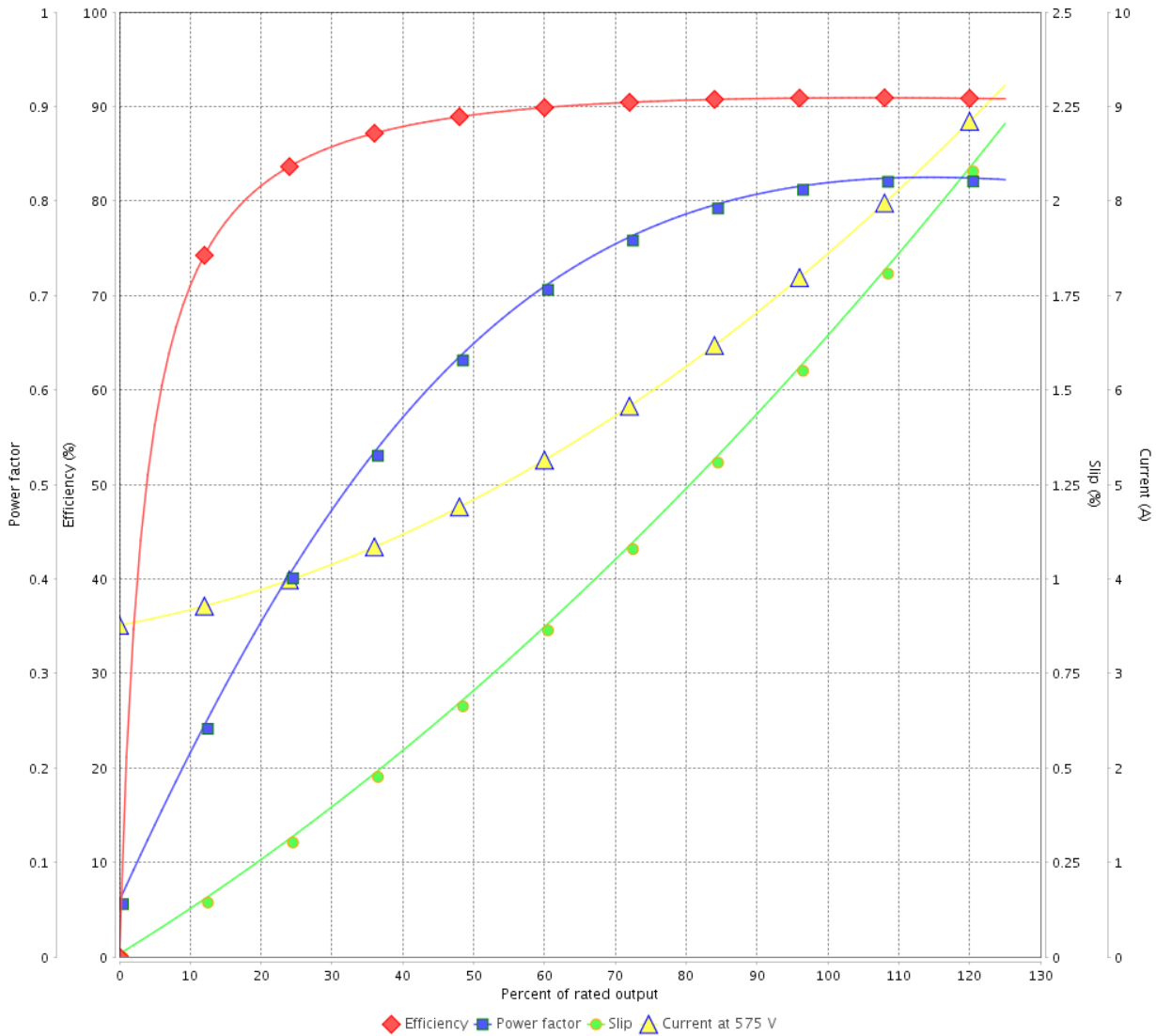


Customer :

Product line : JP Pump NEMA Premium
Efficiency Three-Phase

Product code : 12682726

LOAD PERFORMANCE CURVE



Performance : 575 V 60 Hz 4P

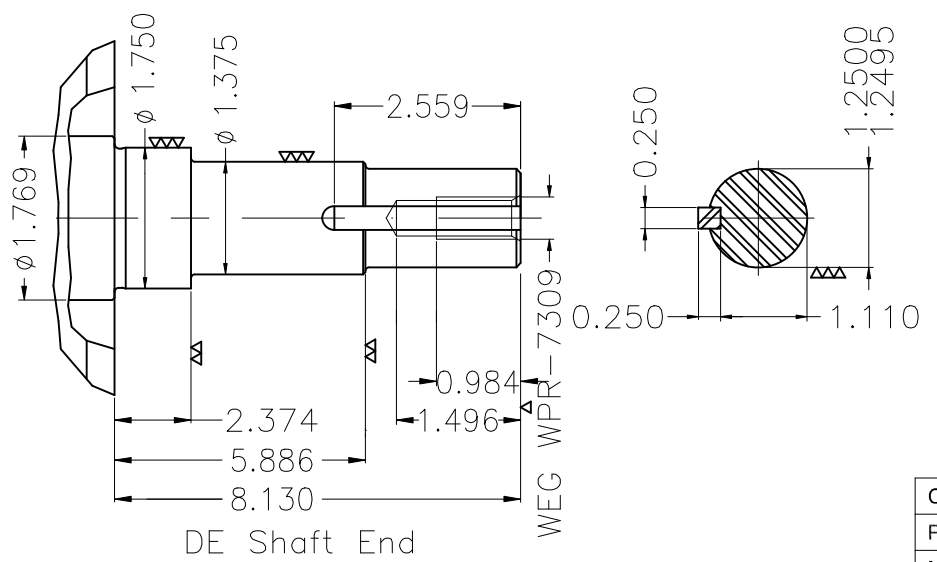
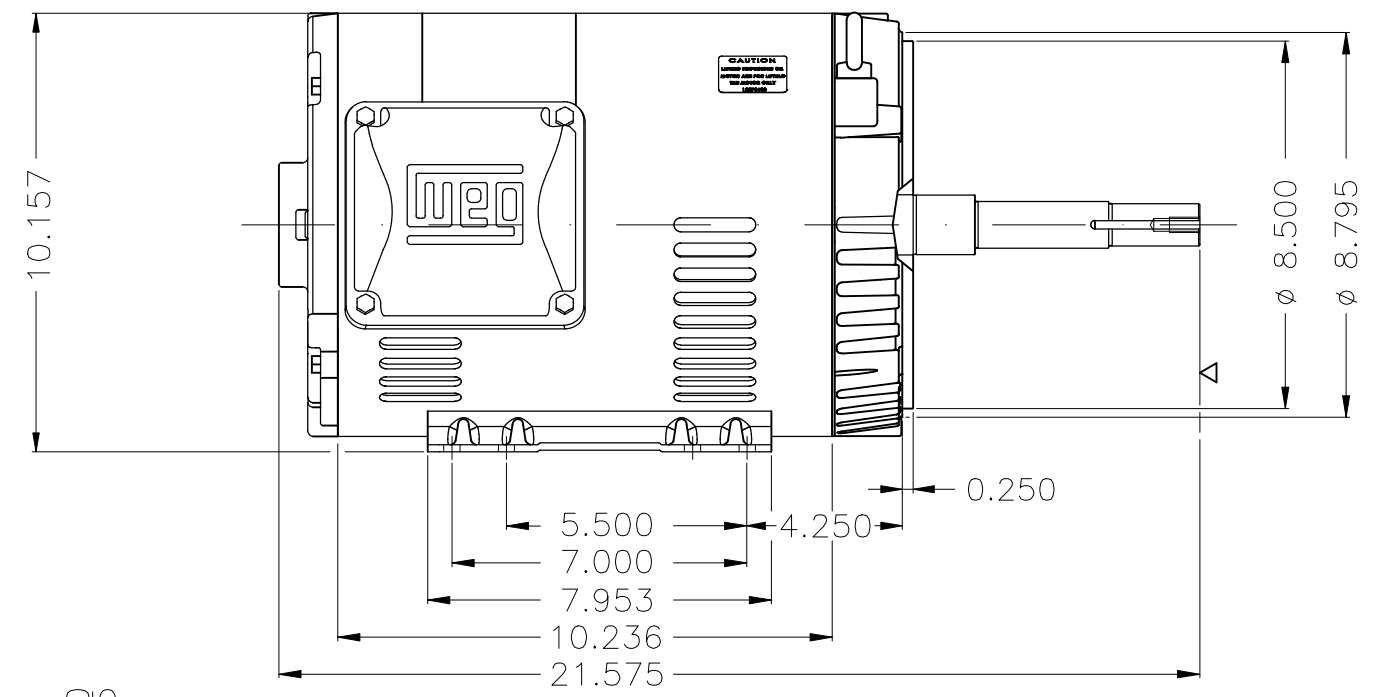
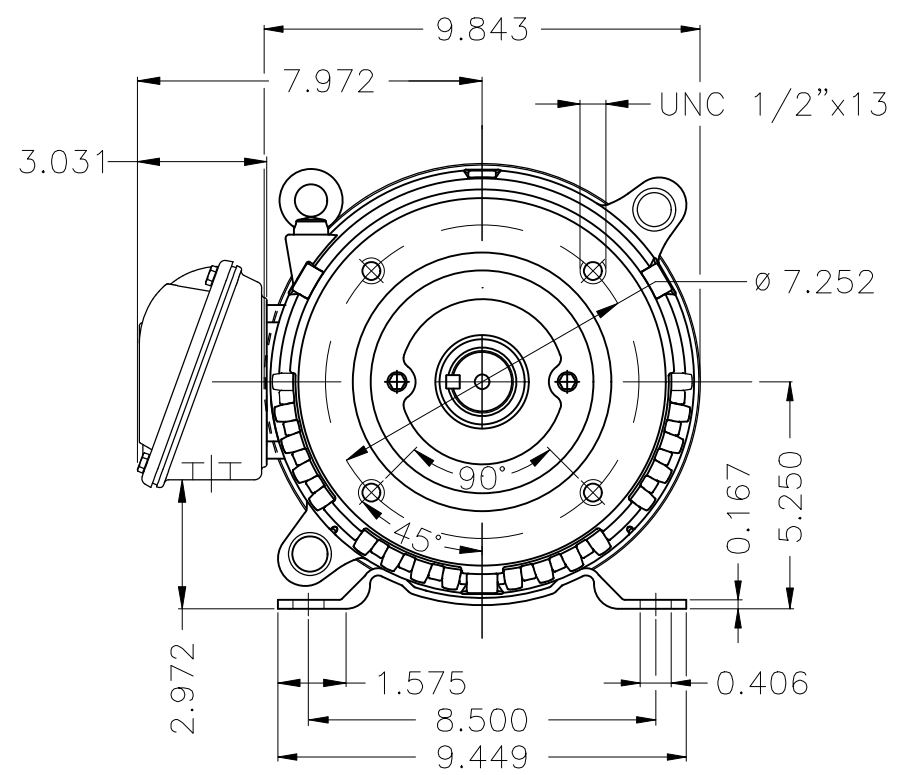
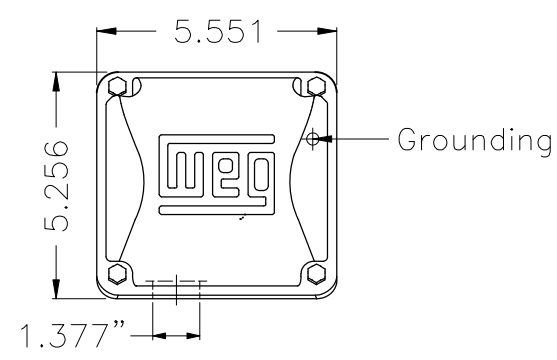
Rated current : 7.40 A
LRC : 7.2
Rated torque : 3.08 kgfm
Locked rotor torque : 240 %
Breakdown torque : 320 %
Rated speed : 1770 rpm

Moment of inertia (J) : 0.0433 kgm²
Duty cycle : Cont.(S1)
Insulation class : F
Service factor : 1.15
Temperature rise : 80 K
Design : B

Rev.	Changes Summary	Performed	Checked	Date
Performed by			Page 2 / 2	Revision
Checked by				
Date	17/05/2022			

1 2 3 4 5 6

A
B
C
D
E



EUNC 1/2"-13 WEG WPR-7309

DE Shaft End

Color Munsell N 1 matte black						
Painting plan 207N						
Mounting B34D						
					HYBRISUSER	00
ECM	LOC	SUMMARY OF MODIFICATIONS		EXECUTED	CHECKED	RELEASED
EXECUTED	HYBRISUSER	THREE PH. MOTOR ROLLED STEEL JP NEMA PREM. EFF.				
CHECKED		FRAME 213/5JP IP21 ODP				
RELEASED						
REL. DATE		WMO	Jaragua do Sul	Product Engineering	WDD	00
				SHEET	1 / 1	

7.5 HP 04 Poles 60 Hz

A



Dimensions in inches XME A3