

DATA SHEET



Single Phase Induction Motor - Squirrel Cage

Customer :

Product line : Rolled Steel Jet Pump - J type Single-Phase Product code : 14802613

Frame	: W56J	Locked rotor time	: 30s (cold) 17s (hot)
Output	: 0.33 HP (0.25 kW)	Temperature rise	: 80 K
Frequency	: 60 Hz	Duty cycle	: Cont.(S1)
Rated voltage	: 115/208-230 V	Ambient temperature	: -20°C to +40°C
Poles	: 2	Altitude	: 1000 m.a.s.l.
Rated current	: 3.18/1.75-1.59 A	Protection degree	: IP55
	: 9.0x(Code L)	Cooling method	: IC411 - TEFC
Rated speed	: 3505 rpm	Mounting	: F-1
Rated torque	: 0.068 kgfm	Rotation ¹	: CCW
Insulation class	: F	Noise level ²	: 66.0 dB(A)
Service factor	: 1.15	Starting method	: Direct On Line
Moment of inertia (J)	: 0.0012 kgm ²	Approx. weight ³	: 10.0 kg
Design	: N		

Output	50%	75%	100%	Foundation loads	
Efficiency (%)	55.0	68.0	72.0	Max. traction	: 1 kgf
Power Factor	0.94	0.94	0.95	Max. compression	: 12 kgf

		<u>Drive end</u>	<u>Non drive end</u>
Bearing type	:	6203 2RS	6202 2RS
Sealing	:	V'Ring	Without Bearing Seal
Lubrication interval	:	-	-
Lubricant amount	:	-	-
Lubricant type	:	Mobil Polyrex EM	

Notes

This revision replaces and cancel the previous one, which must be eliminated.

- (1) Looking the motor from the shaft end.
- (2) Measured at 1m and with tolerance of +3dB(A).
- (3) Approximate weight subject to changes after manufacturing process.
- (4) At 100% of full load.

These are average values based on tests with sinusoidal power supply, subject to the tolerances stipulated in NEMA MG-1.

Rev.	Changes Summary	Performed	Checked	Date
Performed by		Page		Revision
Checked by		1 / 2		
Date	26/06/2026			

LOAD PERFORMANCE CURVE

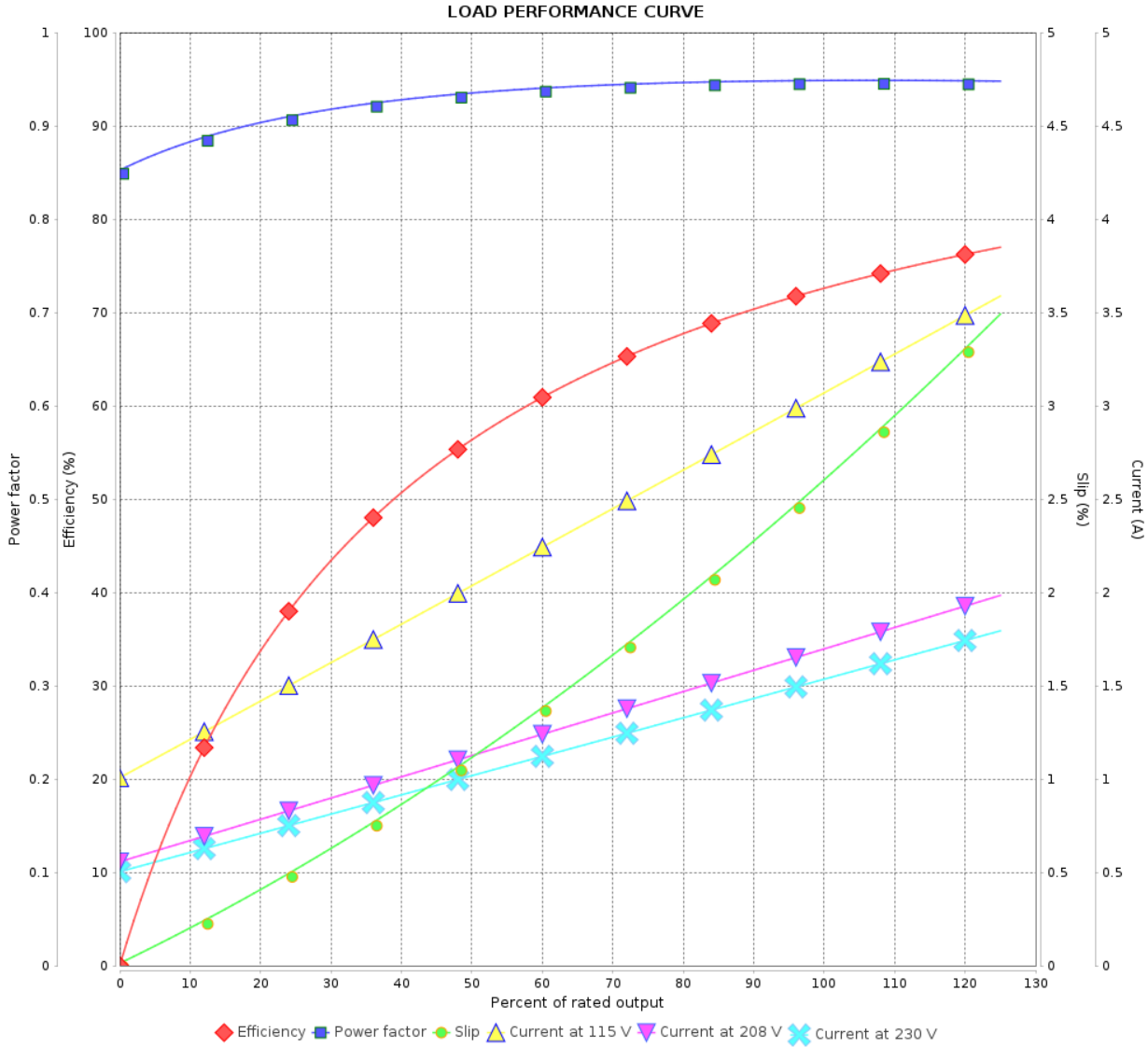
Single Phase Induction Motor - Squirrel Cage



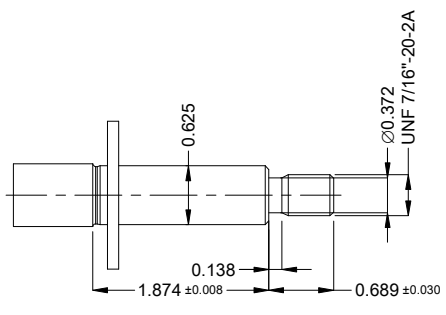
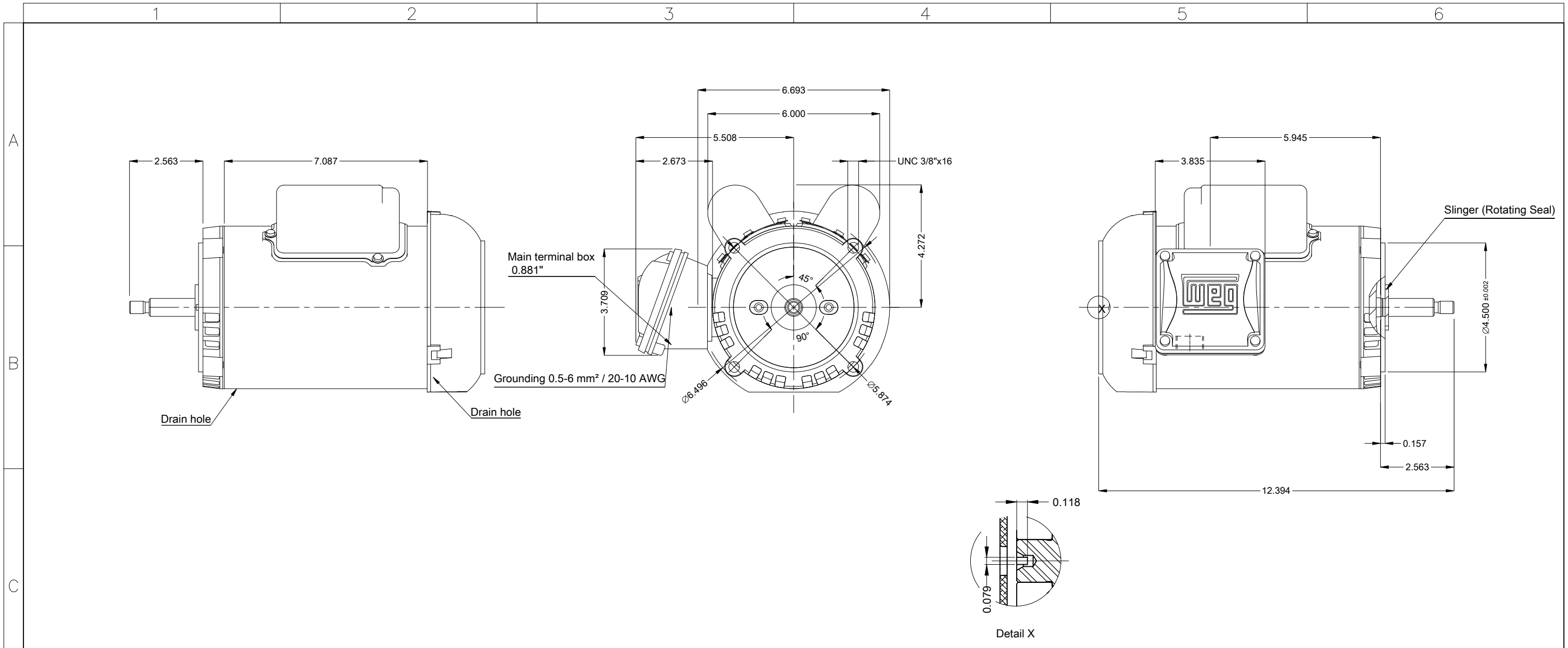
Customer :

Product line : Rolled Steel Jet Pump - J type
Single-Phase

Product code : 14802613



Rev.	Changes Summary	Performed	Checked	Date
Performed by			Page 2 / 2	Revision
Checked by				
Date 26/06/2026				



Dipping impregnation - polyester
Shaft material - stainless steel AISI 304
Phenolic thermal protector - automatic
Without alarm thermal protection
Without switch off thermal protection
Color Munsell N 1 matte black
Painting plan 207N
Mounting MARKET F-1/B14R(D)
Mounting F-1/B14R(D)

0.33 HP 02 Poles 60 Hz										A
Scale 2 : 7										
HYBRISUSER										00
ECM	LOC	SUMMARY OF MODIFICATIONS				EXECUTED	CHECKED	RELEASED	DATE	VER
EXECUTED	HYBRISUSER	SINGLE PH. MOTOR ROLLED STEEL JET PUMP THREADED PREL FEEL								
CHECKED		FRAME W56J IP55 TEFC								
RELEASED										
REL. DATE										
PREVIEW							WDD	00	SHEET 1 / 1	
WEG										