

DATA SHEET

Three Phase Induction Motor - Squirrel Cage



Customer : V.J. PAMENSKY CANADA INC.

Product line : Special Motor

Frame	: 182/4TZ	Cooling method	: IC418 - TEAO
Insulation class	: F	Mounting	: F-3/B3T
Duty cycle	: S1	Rotation ¹	: Counter clockwise
Ambient temperature	: -20 °C to +40 °C	Starting method	: Direct On Line
Altitude	: 3280 ft	Approx. weight ³	: 72.3 lb
Protection degree	: IP55	Moment of inertia (J)	: 0.0000 sq.ft.lb
Design	: B		

Output	3 HP (2.2 kW)	4.5 HP (3.3 kW)	
Poles	2	2	
Frequency	60 Hz	60 Hz	
Rated voltage	208-230/460 V	208-230/460 V	
Rated current	9.45-8.54/4.27 A	12.5-11.3/5.67 A	
L. R. Amperes	104-93.9/47.0 A	105-94.9/47.6 A	
LRC	11.0 x Code N	8.4 x Code K	
No load current	0.000-5.70/2.85 A	0.000-6.80/3.40 A	
Rated speed	3540 rpm	3510 rpm	
Slip	1.67 %	2.50 %	
Rated torque	4.45 ft.lb	6.73 ft.lb	
Locked rotor torque	380.0 %	250.0 %	
Pull up torque	320.0 %	210.0 %	
Breakdown torque	550.0 %	380.0 %	
Service factor	1.00	1.00	
Temperature rise	105 K	105 K	
Locked rotor time (hot)	10 s	10 s	
Locked rotor time (cold)	18 s	18 s	
Efficiency (%)	50%	79.8	83.9
	75%	84.2	86.4
	100%	86.2	86.9
Power Factor	50%	0.53	0.74
	75%	0.66	0.84
	100%	0.75	0.84

Bearing type	Drive end 6206-ZZ	Non drive end 6205-ZZ	Foundation loads	
Lubrication interval	-	-	Max. traction	:
Lubricant amount	-	-	Max. compression	:
Lubricant type	MOBIL POLYREX EM		Load type	:-
			Load torque	:-
			Load inertia (J=GD ² /4)	:-

Notes
See notes on page 2.

This revision replaces and cancel the previous one, which must be eliminated.
(1) Looking the motor from the shaft end.
(2) Measured at 1m and with tolerance of +3dB(A).
(3) Approximate weight, subject to be changed after manufacturing process.

These are average values based on tests with sinusoidal power supply, subject to the tolerances stipulated in NEMA MG 1-12.

Rev.	Changes Summary		Rev.	Checked	Date
Performed by	janinnes			1853375655	
Checked by	AUTOMATICO			Page	Rev.
Date	27/05/2026			1 / 2	0

DATA SHEET

Three Phase Induction Motor - Squirrel Cage



Customer : V.J. PAMENSKY CANADA INC.

Product line : Special Motor

Thermal protection ID	Application	Type	Quantity	Sensing Temperature
1	Winding	Thermostat - 2 wires	1 x Phase	155°C

Notes

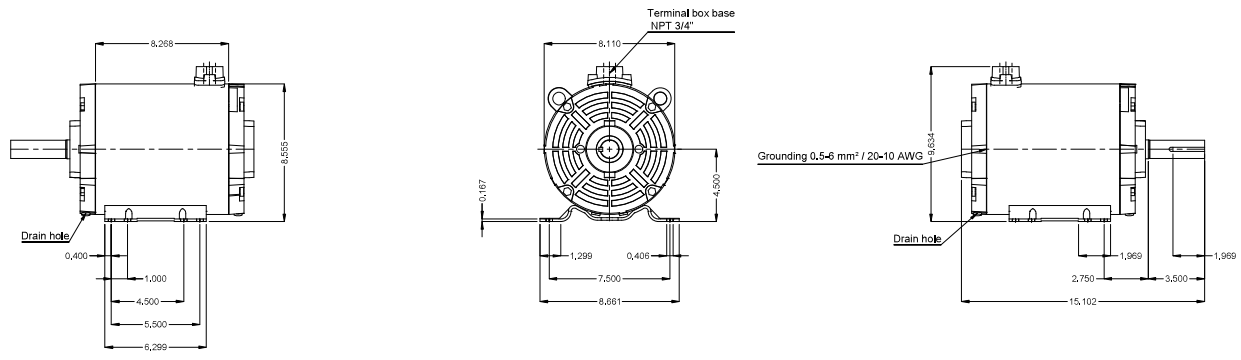
Minimum Air flow @ 3.0 HP - 17.9 m/s
 Minimum Air flow @ 4.5 HP - 18.4 m/s

Standards	Specification : MG1 - Part 10	Vibration : MG1 - Part 7
	Test : MG1 - Part 12	Tolerance : MG1 - Part 12
	Noise : MG1 - Part 9	

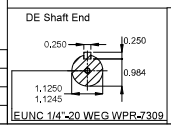
This revision replaces and cancel the previous one, which must be eliminated.
 (1) Looking the motor from the shaft end.
 (2) Measured at 1m and with tolerance of +3dB(A).
 (3) Approximate weight, subject to be changed after manufacturing process.

These are average values based on tests with sinusoidal power supply, subject to the tolerances stipulated in NEMA MG 1-12.

Rev.	Changes Summary	Rev.	Checked	Date
Performed by	janinnes			1853375655
Checked by	AUTOMATICO	Page	Rev.	
Date	27/05/2026	2 / 2	0	



Color RAL 7031
 Painting plan 207N
 Mounting MARKET F-3/B3T
 Mounting B3T



3,0-4,5 HP		02 Poles		60 Hz		A	
V.J. PAMENSKY CANADA INC.							
						Scale 1 : 6	
				PIRWBUSER		00	
ECM	LOC	SUMMARY OF MODIFICATIONS		EXECUTED	CHECKED	RELEASED	DATE VER
EXECUTED	PIRWBUSER	THREE PH. MOTOR ROLLED STEEL GRAIN DRYER		PREVIEW		WDD 00	
CHECKED		FRAME 182/4TZ IP55 TEAO		SHEET		1 / 1	
RELEASED							
REL. DATE							



WEG's property. Forbidden reproduction without previous authorization.

Dimensions in inches

A2