

# DATA SHEET

## Three Phase Induction Motor - Squirrel Cage



Customer : V.J. PAMENSKY CANADA INC.

Product line : W01 - ODP - Nema Premium Efficiency JM Derating Product code : 12687790

Frame	: 182/4JM	Cooling method	: IC01 - ODP
Insulation class	: F	Mounting	: F-1/B34R(D)
Duty cycle	: S1	Rotation <sup>1</sup>	: Both
Ambient temperature	: -20 °C to +40 °C	Starting method	: Direct On Line
Altitude	: 3280 ft	Approx. weight <sup>3</sup>	: 89.3 lb
Protection degree	: IP21	Moment of inertia (J)	: 0.4010 sq.ft.lb
Design	: B		

	5 HP (3.7 kW)	5 HP (3.7 kW)	5 HP (3.7 kW)
Output	5 HP (3.7 kW)	5 HP (3.7 kW)	5 HP (3.7 kW)
Poles	4	4	4
Frequency	60 Hz	50 Hz	50 Hz
Rated voltage	230/460 V	190/380 V	220/415 V
Rated current	12.7/6.33 A	15.4/7.71 A	13.5/7.18 A
L. R. Amperes	91.2/45.6 A	89.4/44.7 A	94.8/50.3 A
LRC	7.2	5.8	7.0
No load current	6.29/3.15 A	6.19/3.10 A	6.80/3.61 A
Rated speed	1760 rpm	1445 rpm	1455 rpm
Slip	2.22 %	3.67 %	3.00 %
Rated torque	14.7 ft.lb	17.9 ft.lb	17.8 ft.lb
Locked rotor torque	200 %	140 %	180 %
Pull up torque	170 %	115 %	150 %
Breakdown torque	310 %	220 %	270 %
Service factor	1.15	1.15	1.15
Temperature rise	80 K	80 K	80 K
Noise level <sup>2</sup>	55.0 dB(A)	53.0 dB(A)	53.0 dB(A)
Locked rotor time (hot)	12 s	11 s	11 s
Locked rotor time (cold)	22 s	20 s	20 s
Efficiency (%)	50%	88.5	87.5
	75%	88.5	87.7
	100%	89.5	86.4
Power Factor	50%	0.63	0.64
	75%	0.76	0.76
	100%	0.82	0.83

Bearing type Lubrication interval Lubricant amount Lubricant type	Drive end	Non drive end	Foundation loads
	6207-ZZ	6205-ZZ	Max. traction :
	-	-	Max. compression :
	-	-	Load type :-
	MOBIL POLYREX EM		Load torque :-
			Load inertia (J=GD <sup>2</sup> /4) :-

Notes  
See notes on page 2.

This revision replaces and cancel the previous one, which must be eliminated.  
(1) Looking the motor from the shaft end.  
(2) Measured at 1m and with tolerance of +3dB(A).  
(3) Approximate weight, subject to be changed after manufacturing process.

These are average values based on tests with sinusoidal power supply, subject to the tolerances stipulated in NEMA MG 1-12.

Rev.	Changes Summary	Rev.	Checked	Date
Performed by	farazq	1863077971		
Checked by	AUTOMATICO	Page	Rev.	
Date	19/06/2026	1 / 2	0	

# DATA SHEET

## Three Phase Induction Motor - Squirrel Cage



Customer : V.J. PAMENSKY CANADA INC.

Product line : W01 - ODP - Nema Premium Efficiency JM Derating  
Product code : 12687790

Thermal protection ID	Application	Type	Quantity	Sensing Temperature
-----------------------	-------------	------	----------	---------------------

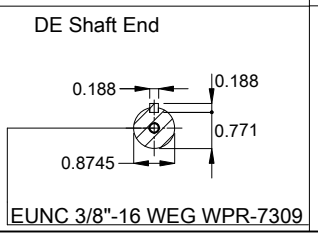
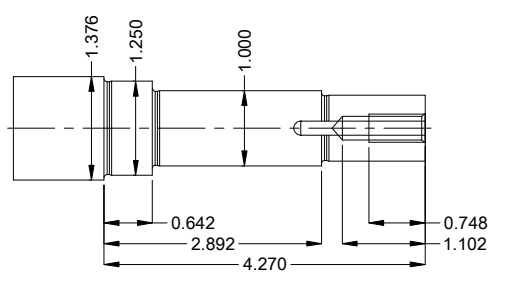
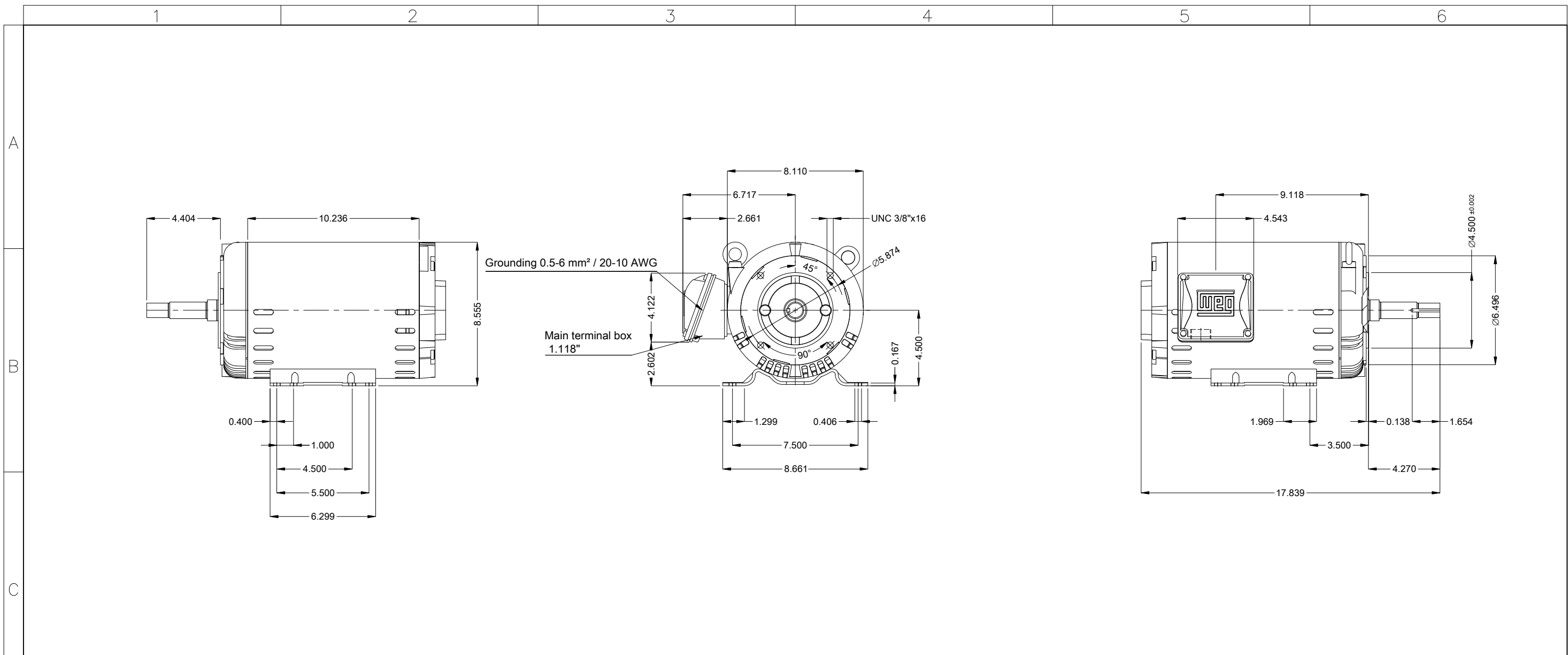
Notes  
USABLE @208V 14.0A SF 1.15 SFA 16.1A

Standards	Specification	: MG1 - Part 10	Vibration	: MG1 - Part 7
	Test	: MG1 - Part 12	Tolerance	: MG1 - Part 12
	Noise	: MG1 - Part 9		

This revision replaces and cancel the previous one, which must be eliminated.  
(1) Looking the motor from the shaft end.  
(2) Measured at 1m and with tolerance of +3dB(A).  
(3) Approximate weight, subject to be changed after manufacturing process.

These are average values based on tests with sinusoidal power supply, subject to the tolerances stipulated in NEMA MG 1-12.

Rev.	Changes Summary	Rev.	Checked	Date
Performed by	farazq	1863077971		
Checked by	AUTOMATICO	Page	Rev.	
Date	19/06/2026	2 / 2	0	



Internal AEGIS ground ring on the DE  
 Color Munsell N 1 matte black  
 Painting plan 207N  
 Mounting MARKET F-1/B34R(D)  
 Mounting B34D

5 HP 04 Poles 60 Hz										A
Scale										1 : 6
HYBRISUSER										00
ECM	LOC	SUMMARY OF MODIFICATIONS			EXECUTED	CHECKED	RELEASED	DATE	VER	
EXECUTED	HYBRISUSER	THREE PH. MOTOR ROLLED STEEL JM NEMA PREM. EFF.			PREVIEW				WEG	
CHECKED		FRAME 182/4JM IP21 ODP			WDD		00			
RELEASED					SHEET		1 / 1			
REL. DATE										