

DATA SHEET



Single Phase Induction Motor - Squirrel Cage

Customer :

Product line : Rolled Steel Jet Pump - J type Single-Phase Product code : 17996456

Frame	: W56J	Locked rotor time	: 19s (cold) 11s (hot)
Output	: 0.5 HP (0.37 kW)	Temperature rise	: 80 K
Frequency	: 60 Hz	Duty cycle	: Cont.(S1)
Rated voltage	: 115/208-230 V	Ambient temperature	: -20°C to +40°C
Poles	: 2	Altitude	: 1000 m.a.s.l.
Rated current	: 4.78/2.64-2.39 A	Protection degree	: IP55
	: 8.5x(Code L)	Cooling method	: IC411 - TEFC
Rated speed	: 3510 rpm	Mounting	: F-1
Rated torque	: 0.103 kgfm	Rotation ¹	: CCW
Insulation class	: F	Noise level ²	: 66.0 dB(A)
Service factor	: 1.15	Starting method	: Direct On Line
Moment of inertia (J)	: 0.0012 kgm ²	Approx. weight ³	: 9.8 kg
Design	: N		

Output	25%	50%	75%	100%	Foundation loads	
Efficiency (%)	0.000	64.0	70.0	74.0	Max. traction	: 5 kgf
Power Factor	0.00	0.85	0.88	0.91	Max. compression	: 14 kgf

		<u>Drive end</u>	<u>Non drive end</u>
Bearing type	:	6203 2RS	6202 2RS
Sealing	:	V'Ring	Without Bearing Seal
Lubrication interval	:	0 h	0 h
Lubricant amount	:	0 g	0 g
Lubricant type	:	Mobil Polyrex EM	

Notes

This revision replaces and cancel the previous one, which must be eliminated.

- (1) Looking the motor from the shaft end.
- (2) Measured at 1m and with tolerance of +3dB(A).
- (3) Approximate weight subject to changes after manufacturing process.
- (4) At 100% of full load.

These are average values based on tests with sinusoidal power supply, subject to the tolerances stipulated in NEMA MG-1.

Rev.	Changes Summary	Performed	Checked	Date
Performed by		Page		Revision
Checked by		1 / 2		
Date	26/06/2026			

LOAD PERFORMANCE CURVE

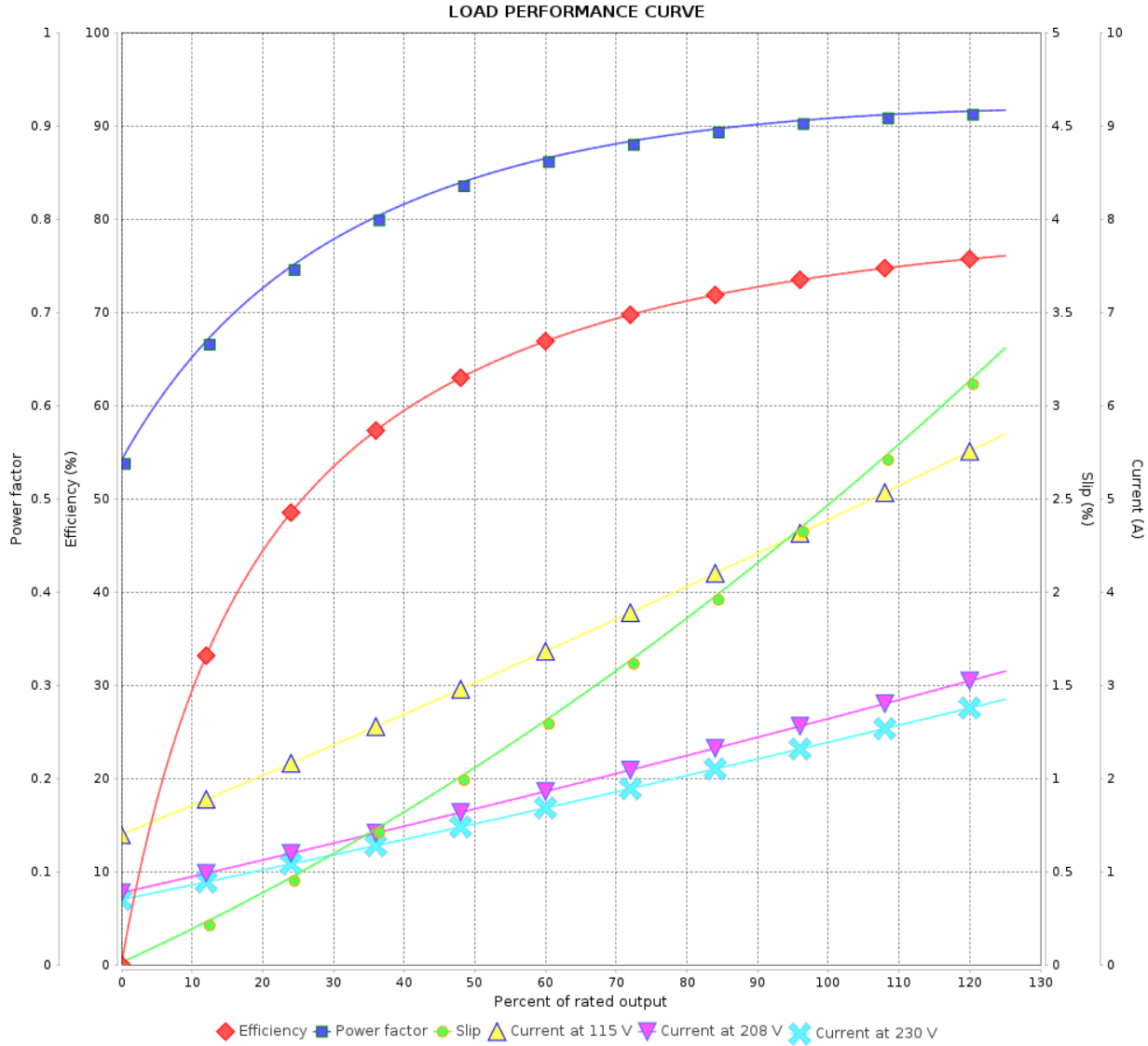
Single Phase Induction Motor - Squirrel Cage



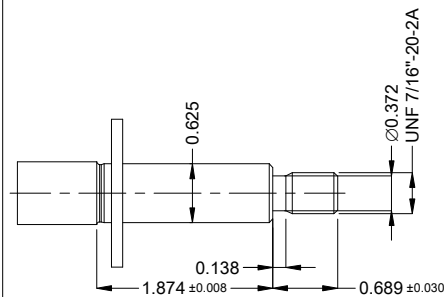
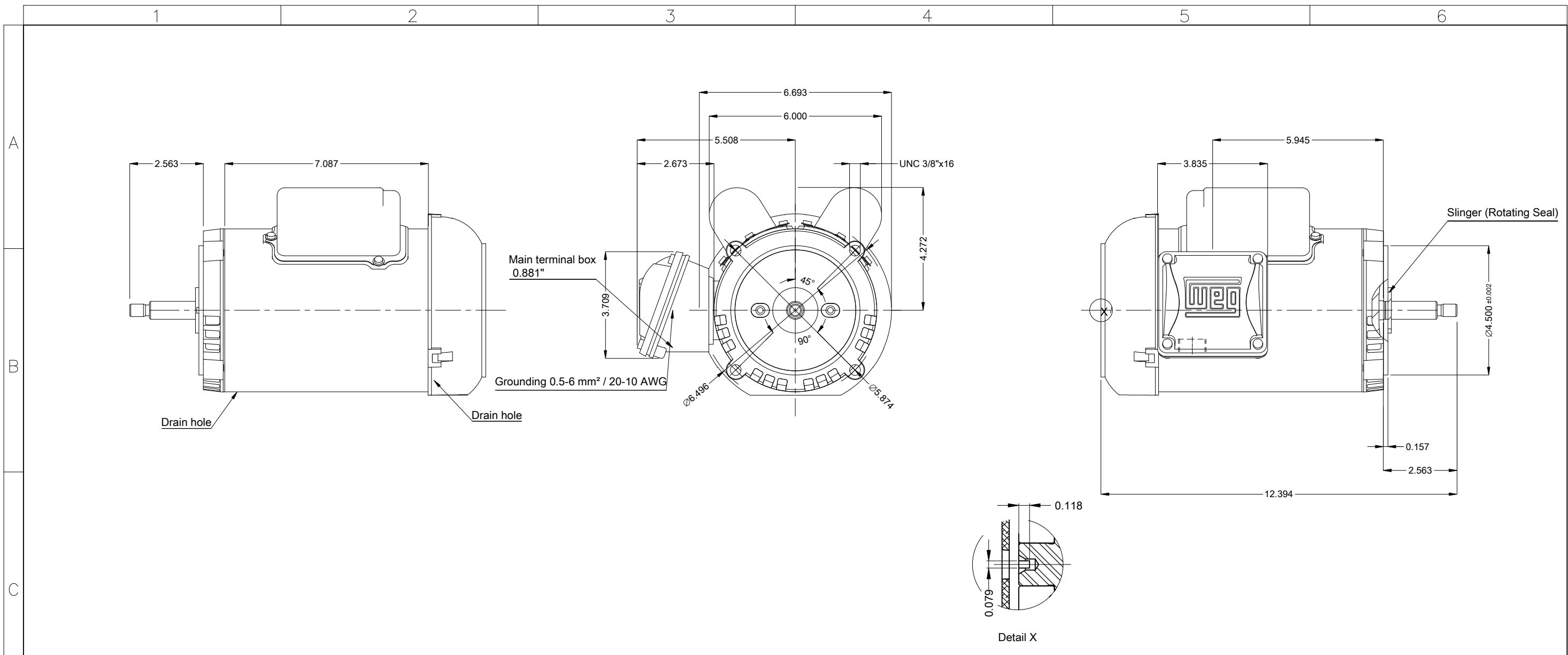
Customer :

Product line : Rolled Steel Jet Pump - J type
Single-Phase

Product code : 17996456



Rev.	Changes Summary	Performed	Checked	Date
Performed by			Page 2 / 2	Revision
Checked by				
Date 26/06/2026				



Dipping impregnation - polyester

Counterclockwise rotation

Shaft material - stainless steel AISI 304

Phenolic thermal protector - automatic

Without alarm thermal protection

Without switch off thermal protection

Color Munsell N 1 matte black

Painting plan 207N

Mounting MARKET F-1/B14R(D)

Mounting F-1/B14R(D)

0.5 HP 02 Poles 60 Hz

A

Scale 2 : 7

HYBRISUSER

00

ECM

LOC

SUMMARY OF MODIFICATIONS

EXECUTED

CHECKED

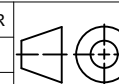
RELEASED

DATE

VER

EXECUTED

HYBRISUSER



SINGLE PH. MOTOR ROLLED STEEL JET PUMP THREADED PRELIMINARY

FRAME W56J IP55 TEFC

PREVIEW

WDD

00



SHEET

1 / 1