

DATA SHEET

Single Phase Induction Motor - Squirrel Cage



Customer	:			
Product line	: Single-Phase	Product code : 15145898		
Frame	: W56C	Cooling method : IC01 - ODP		
Insulation class	: F	Mounting : F-1		
Duty cycle	: Cont.(S1)	Rotation ¹ : Both (CW and CCW)		
Ambient temperature	: -20°C to +40°C	Starting method : Direct On Line		
Altitude	: 1000 m.a.s.l.	Approx. weight ³ : 10.0 kg		
Design	: N	Moment of inertia (J) : 0.0011 kgm ²		
Output [HP]		0.5		
Poles		2		
Frequency [Hz]		60		
Rated voltage [V]		115/208-230		
Rated current [A]		4.80/2.65-2.40		
L. R. Amperes [A]		42.2/23.3-21.1		
LRC [A]		8.8x(Code L)		
No load current [A]		1.60/0.690-0.800		
Rated speed [RPM]		3510		
Slip [%]		2.50		
Rated torque [kgfm]		0.103		
Locked rotor torque [%]		270		
Breakdown torque [%]		300		
Service factor				
Temperature rise		80 K		
Locked rotor time		16s (cold) 9s (hot)		
Noise level ²		56.0 dB(A)		
Efficiency (%)	25%			
	50%	60.0		
	75%	68.0		
	100%	72.4		
Power Factor	25%			
	50%	0.90		
	75%	0.93		
	100%	0.94		
Bearing type	: <u>Drive end</u> 6203 ZZ <u>Non drive end</u> 6202 ZZ	Foundation loads		
Sealing	: Without Bearing Seal Without Bearing Seal	Max. traction : 5 kgf		
		Max. compression : 15 kgf		
Lubrication interval	: -			
Lubricant amount	: -			
Lubricant type	: Mobil Polyrex EM			
Notes				
<p>This revision replaces and cancel the previous one, which must be eliminated.</p> <p>(1) Looking the motor from the shaft end.</p> <p>(2) Measured at 1m and with tolerance of +3dB(A).</p> <p>(3) Approximate weight subject to changes after manufacturing process.</p> <p>(4) At 100% of full load.</p>		<p>These are average values based on tests with sinusoidal power supply, subject to the tolerances stipulated in NEMA MG-1.</p>		
Rev.	Changes Summary	Performed	Checked	Date
Performed by				
Checked by			Page	Revision
Date	17/05/2022		1 / 2	

LOAD PERFORMANCE CURVE

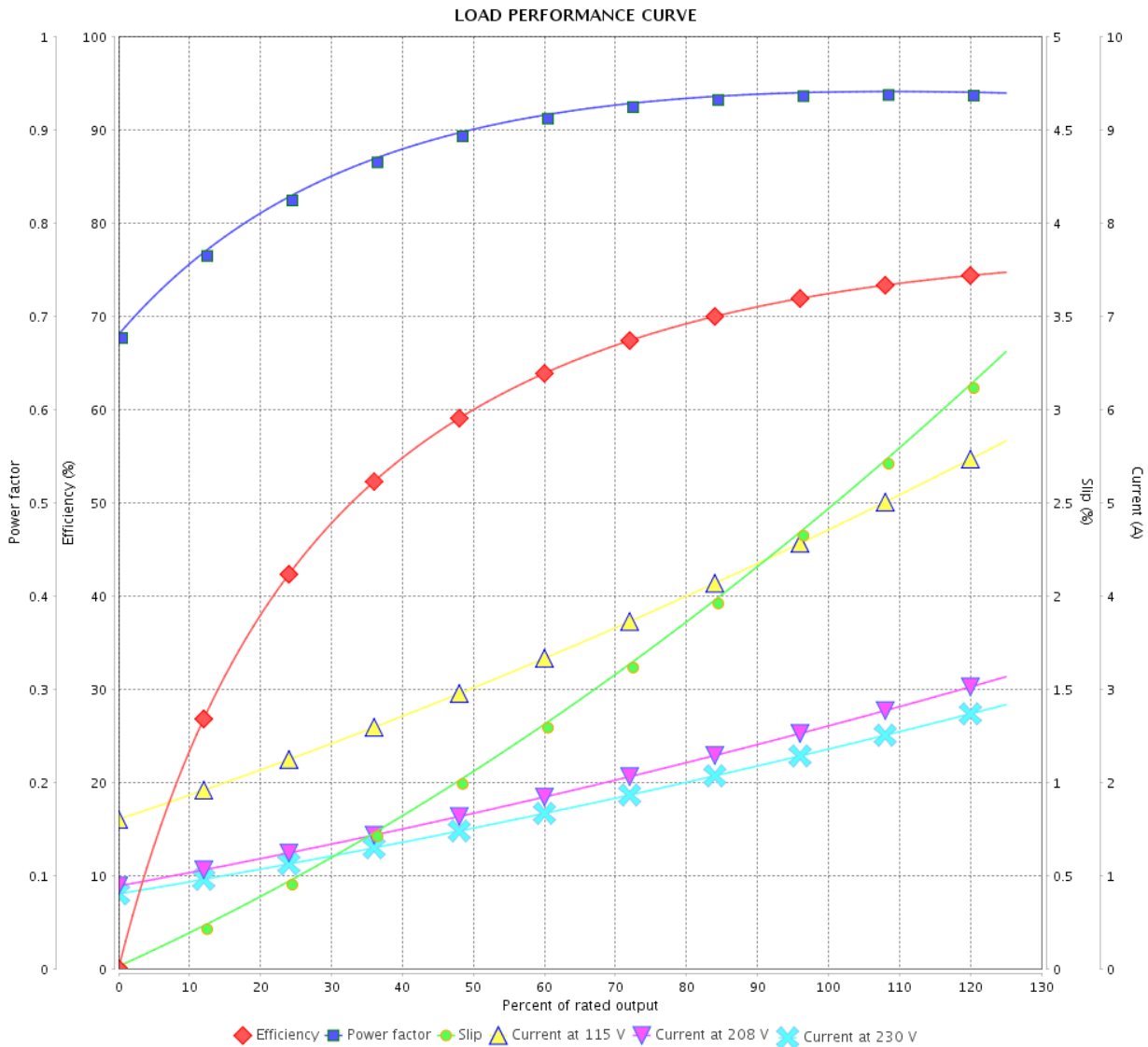
Single Phase Induction Motor - Squirrel Cage



Customer :

Product line : Single-Phase

Product code : 15145898

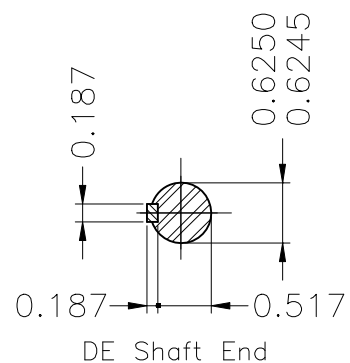
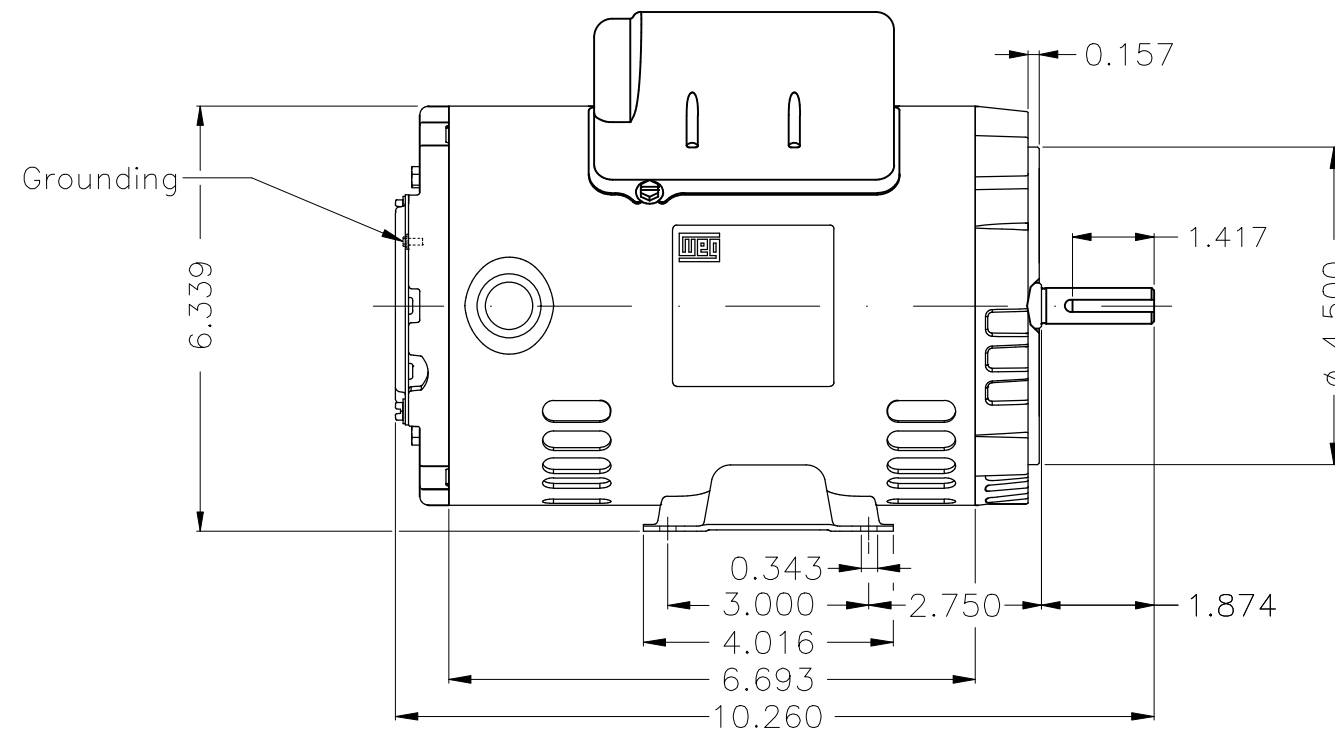
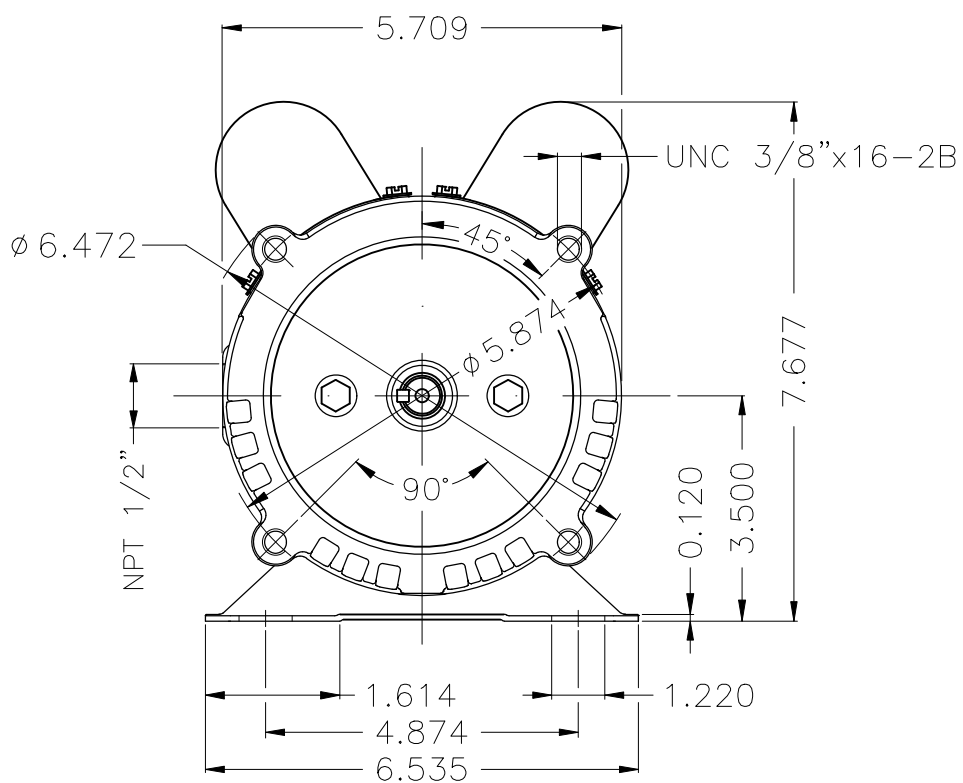


Performance : 115/208-230 V 60 Hz 2P

Rated current : 4.80/2.65-2.40 A
 LRC : 8.8
 Rated torque : 0.103 kgfm
 Locked rotor torque : 270 %
 Breakdown torque : 300 %
 Rated speed : 3510 rpm

Moment of inertia (J) : 0.0011 kgm²
 Duty cycle : Cont.(S1)
 Insulation class : F
 Service factor :
 Temperature rise : 80 K
 Design : N

Rev.	Changes Summary	Performed	Checked	Date
Performed by			Page 2 / 2	Revision
Checked by				
Date	17/05/2022			



1	2	3	4	5	6
A					
B					
C					
D					
E					
0.5 HP 02 Poles 60 Hz					
Color Munsell N 1 matte black					
Painting plan 207N					
Mounting B34D					
HYBRISUSER				00	
ECM	LOC	SUMMARY OF MODIFICATIONS		EXECUTED	CHECKED
EXECUTED	HYBRISUSER	SINGLE PH. MOTOR ROLLED STEEL PREM. EFF. FRAME W56C IP21 ODP			
CHECKED					
RELEASED					
REL. DATE		WMO	Jaragua do Sul	Product Engineering	
				PREVIEW	
				WDD 00	
SHEET				1 / 1	