

# DATA SHEET

## Three Phase Induction Motor - Squirrel Cage



Customer : V.J. PAMENSKY CANADA INC.

Product line : W01 - TEFC - Premium Efficiency (DOE) Jet Pump - Forma J      Product code : 19188695

Frame	: W56J	Locked rotor time	: 16 s (hot) 29 s (cold)
Output	: 0.75 HP (0.55 kW)	Temperature rise	: 80 K
Poles	: 2	Duty cycle	: S1
Frequency	: 60 Hz	Ambient temperature	: -20 °C to +40 °C
Rated voltage	: 575 V	Altitude	: 3280 ft
Rated current	: 0.896 A	Protection degree	: IP55
L. R. Amperes	: 7.26 A	Cooling method	: IC411 - TEFC
LRC	: 8.1	Mounting	: F-1/B34R(D)
No load current	: 0.498 A	Rotation <sup>1</sup>	: Counter clockwise
Rated speed	: 3440 rpm	Noise level <sup>2</sup>	: 65.0 dB(A)
Slip	: 4.44 %	Vibration class	: A
Rated torque	: 1.13 ft.lb	Starting method	: Direct On Line
Locked rotor torque	: 350 %	Approx. weight <sup>3</sup>	: 18.3 lb
Pull up torque	: 295 %	Painting plan	: 207N
Breakdown torque	: 360 %	Color	: MUNSELL N 1 - MATTE
Insulation class	: F		
Service factor	: 1.15		
Moment of inertia (J)	: 0.0214 sq.ft.lb		

Output	50%	75%	100%	Load type	: -
Efficiency (%)	70.0	75.5	77.0	Load torque	: -
Power Factor	0.62	0.74	0.80	Load inertia (J=GD <sup>2</sup> /4)	: -

	Drive end	Non drive end	Foundation loads	
Bearing type #1	6203-2RS	6202-2RS	Max. traction	: 137 N
Bearing type #2	-	-	Max. compression	: 219 N
Lubrication interval	-	-		
Lubricant amount #1	-	-		
Lubricant amount #2	-	-		
Lubricant type	MOBIL POLYREX EM			

Notes  
See notes on page 2.

This revision replaces and cancel the previous one, which must be eliminated.  
(1) Looking the motor from the shaft end.  
(2) Measured at 1m and with tolerance of +3dB(A).  
(3) Approximate weight, subject to be changed after manufacturing process.

These are average values based on tests with sinusoidal power supply, subject to the tolerances stipulated in NEMA MG 1-12.

Rev.	Changes Summary	Rev.	Checked	Date
Performed by	farazq	1866990237		
Checked by	AUTOMATICO	Page	Rev.	
Date	29/06/2026	1 / 2	0	

# DATA SHEET

## Three Phase Induction Motor - Squirrel Cage



Customer : V.J. PAMENSKY CANADA INC.

Product line : W01 - TEFC - Premium Efficiency (DOE) Jet Pump - Forma J      Product code : 19188695

Thermal protection ID	Application	Type	Quantity	Sensing Temperature
-----------------------	-------------	------	----------	---------------------

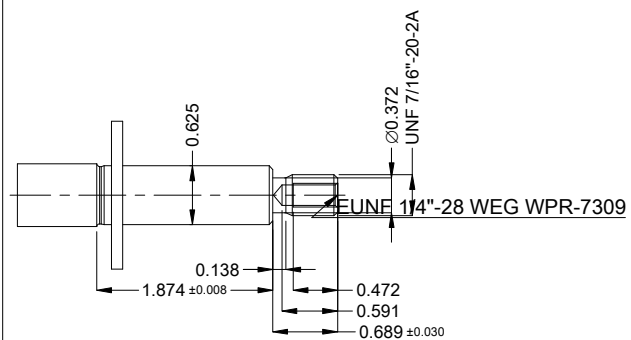
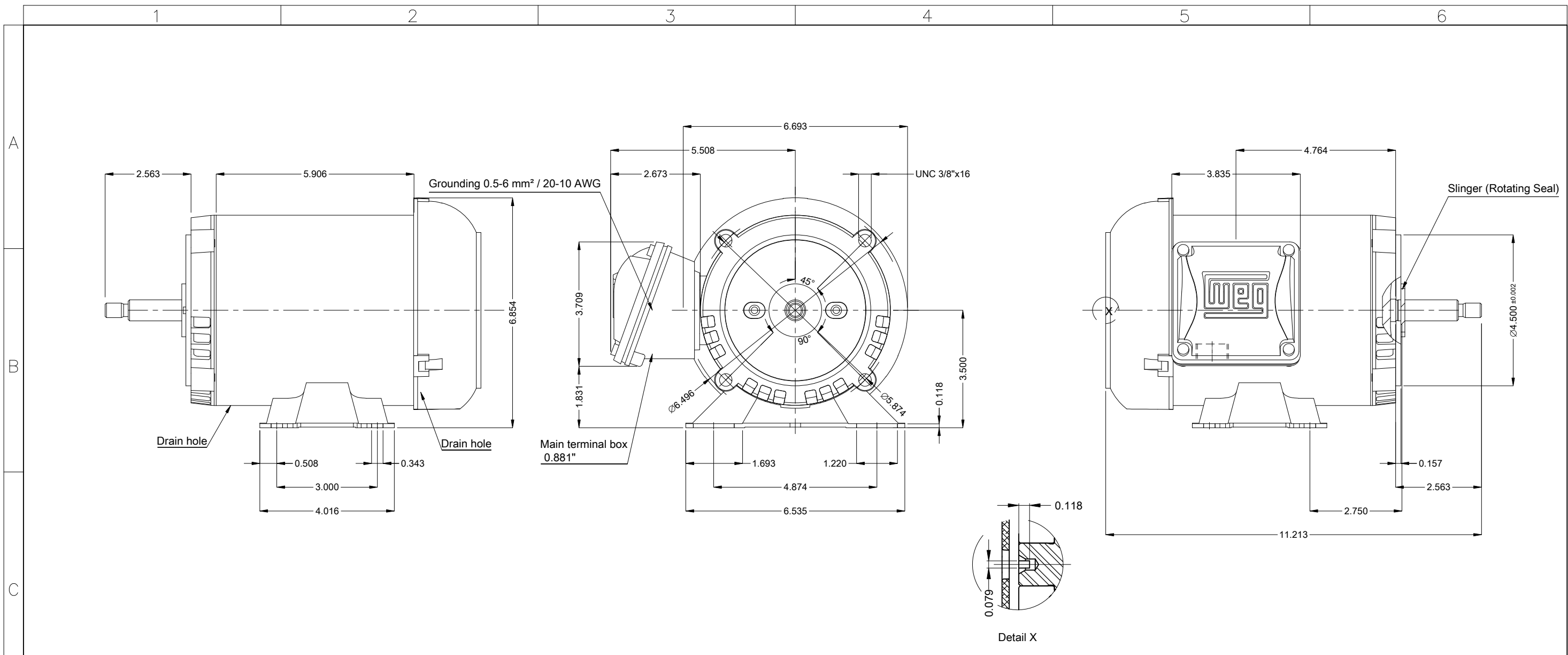
Notes

Standards	Specification	: MG1 - Part 10	Vibration	: MG1 - Part 7
	Test	: MG1 - Part 12	Tolerance	: MG1 - Part 12
	Noise	: MG1 - Part 9		

This revision replaces and cancel the previous one, which must be eliminated.  
(1) Looking the motor from the shaft end.  
(2) Measured at 1m and with tolerance of +3dB(A).  
(3) Approximate weight, subject to be changed after manufacturing process.

These are average values based on tests with sinusoidal power supply, subject to the tolerances stipulated in NEMA MG 1-12.

Rev.	Changes Summary	Rev.	Checked	Date
Performed by	farazq	1866990237		
Checked by	AUTOMATICO	Page	Rev.	
Date	29/06/2026	2 / 2	0	



Reinforce the foot with 2 mig welding spots
Shaft material - stainless steel AISI 304
NDE sealing - V ring
Color Munsell N 1 matte black
Painting plan 207N
Mounting MARKET F-1/B34R(D)
Mounting B34D

0.75 HP 02 Poles 60 Hz						A
Scale 1 : 3						
HYBRISUSER						00
ECM	LOC	SUMMARY OF MODIFICATIONS	EXECUTED	CHECKED	RELEASED	DATE VER
EXECUTED	HYBRISUSER	THREE PH. MOTOR ROLLED STEEL JET PUMP THREADED PREM EFF				
CHECKED		FRAME W56J IP55 TEFC				
RELEASED						
REL. DATE						
			PREVIEW		WDD 00	
			SHEET 1 / 1		WEG	