

DATA SHEET



Three Phase Induction Motor - Squirrel Cage

Customer :					
Product line		: W22 P Base NEMA Premium Efficiency Three-Phase		Product code : 14605782	
Frame	: 404/5HPH	Cooling method	: IC411 - TEFC		
Insulation class	: F	Mounting	: W-6		
Duty cycle	: Cont.(S1)	Rotation ¹	: Both (CW and CCW)		
Ambient temperature	: -20°C to +40°C	Starting method	: Direct On Line		
Altitude	: 1000 m.a.s.l.	Approx. weight ³	: 512 kg		
Protection degree	: IP55	Moment of inertia (J)	: 0.5561 kgm ²		
Design	: B				
Output [HP]	100	75	75	75	
Poles	2	2	2	2	
Frequency [Hz]	60	50	50	50	
Rated voltage [V]	230/460	380	400	415	
Rated current [A]	224/112	99.6	94.6	92.2	
L. R. Amperes [A]	1456/728	677	719	756	
LRC [A]	6.5x(Code G)	6.8x(Code G)	7.6x(Code H)	8.2x(Code J)	
No load current [A]	52.0/26.0	25.7	27.5	29.1	
Rated speed [RPM]	3545	2955	2960	2965	
Slip [%]	1.53	1.50	1.33	1.17	
Rated torque [kgfm]	20.5	18.4	18.4	18.4	
Locked rotor torque [%]	240	250	280	300	
Breakdown torque [%]	260	280	310	330	
Service factor	1.25	1.00	1.00	1.00	
Temperature rise	80 K	80 K	80 K	80 K	
Locked rotor time	25s (cold) 14s (hot)	18s (cold) 10s (hot)	18s (cold) 10s (hot)	18s (cold) 10s (hot)	
Noise level ²	79.0 dB(A)	74.0 dB(A)	74.0 dB(A)	74.0 dB(A)	
Efficiency (%)	25%				
	50%	93.0	93.0	93.1	
	75%	94.1	93.8	93.8	
	100%	94.1	94.3	94.3	
Power Factor	25%				
	50%	0.83	0.82	0.80	
	75%	0.88	0.88	0.86	
	100%	0.89	0.89	0.89	
Losses at normative operating points (speed;torque), in percentage of rated output power					
Losses (%)	P1 (0,9;1,0)	5.9	5.9	5.9	5.9
	P2 (0,5;1,0)	4.6	4.6	4.6	4.6
	P3 (0,25;1,0)	4.4	4.4	4.4	4.4
	P4 (0,9;0,5)	2.8	2.8	2.8	2.8
	P5 (0,5;0,5)	1.6	1.6	1.6	1.6
	P6 (0,5;0,25)	0.9	0.9	0.9	0.9
	P7 (0,25;0,25)	0.5	0.5	0.5	0.5
Bearing type	: Drive end : 6316 C3	Non drive end : 6314 C3	Foundation loads		
Sealing	: Lip Seal	Lip Seal	Max. traction		
Lubrication interval	: 2000 h	3000 h	Max. compression		
Lubricant amount	: 34 g	27 g			
Lubricant type	: Isoflex NBU-15				
This revision replaces and cancel the previous one, which must be eliminated. (1) Looking the motor from the shaft end. (2) Measured at 1m and with tolerance of +3dB(A). (3) Approximate weight subject to changes after manufacturing process.			These are average values based on tests with sinusoidal power supply, subject to the tolerances stipulated in NEMA MG-1.		
Rev.	Changes Summary		Performed	Checked	Date
Performed by					
Checked by				Page	Revision
Date	29/10/2024			1 / 6	

DATA SHEET

Three Phase Induction Motor - Squirrel Cage



Customer : _____

Notes
USABLE @208V 243A SF 1.10 SFA 268A

Rev.	Changes Summary	Performed	Checked	Date
Performed by				
Checked by			Page	Revision
Date	29/10/2024		2 / 6	

LOAD PERFORMANCE CURVE

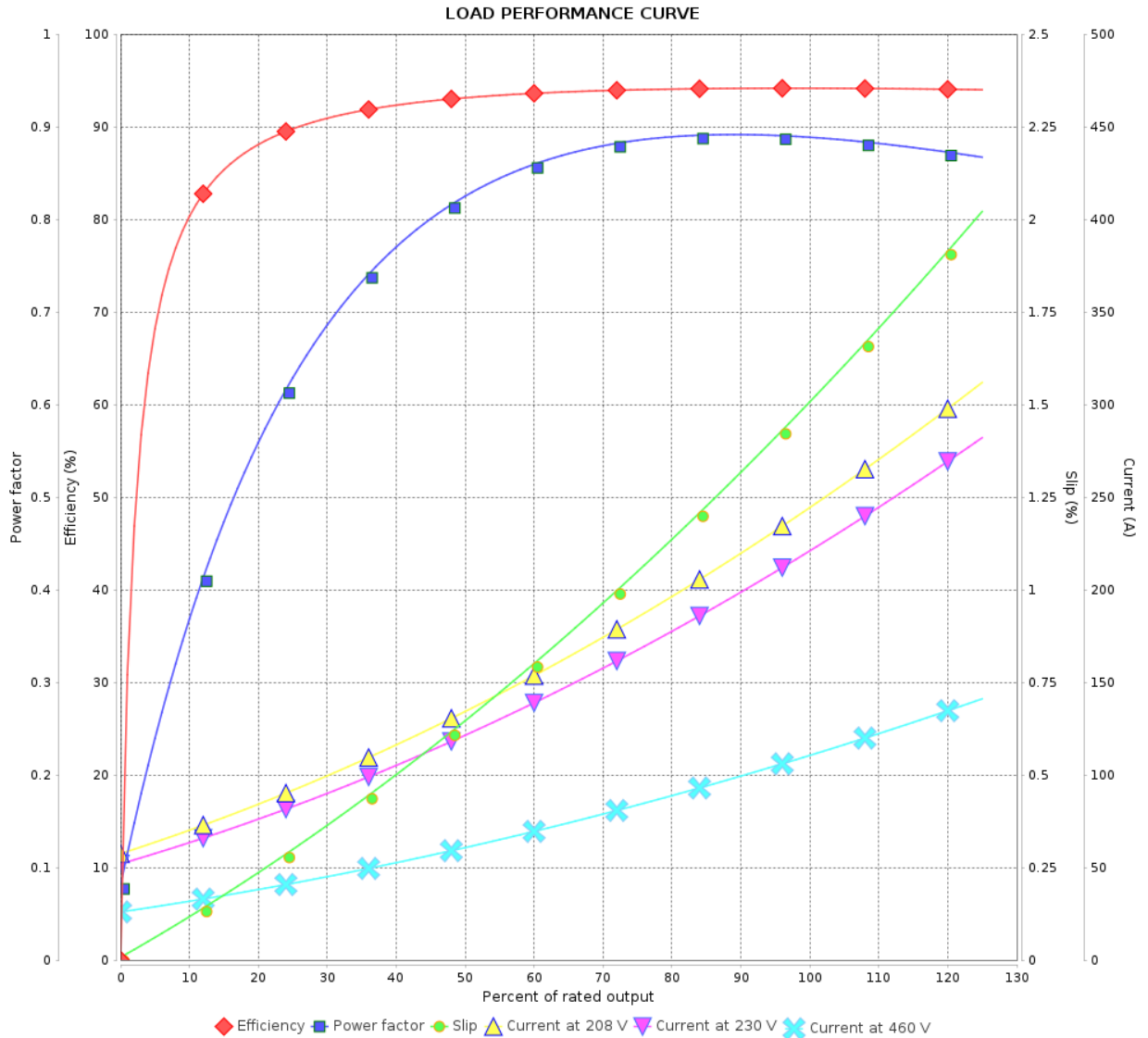
Three Phase Induction Motor - Squirrel Cage



Customer : _____

Product line : W22 P Base NEMA Premium Efficiency Three-Phase

Product code : 14605782



Performance : 230/460 V 60 Hz 2P

Rated current : 224/112 A
 LRC : 6.5
 Rated torque : 20.5 kgfm
 Locked rotor torque : 240 %
 Breakdown torque : 260 %
 Rated speed : 3545 rpm

Moment of inertia (J) : 0.5561 kgm²
 Duty cycle : Cont.(S1)
 Insulation class : F
 Service factor : 1.25
 Temperature rise : 80 K
 Design : B

Rev.	Changes Summary	Performed	Checked	Date
Performed by			Page	Revision
Checked by				
Date				

LOAD PERFORMANCE CURVE

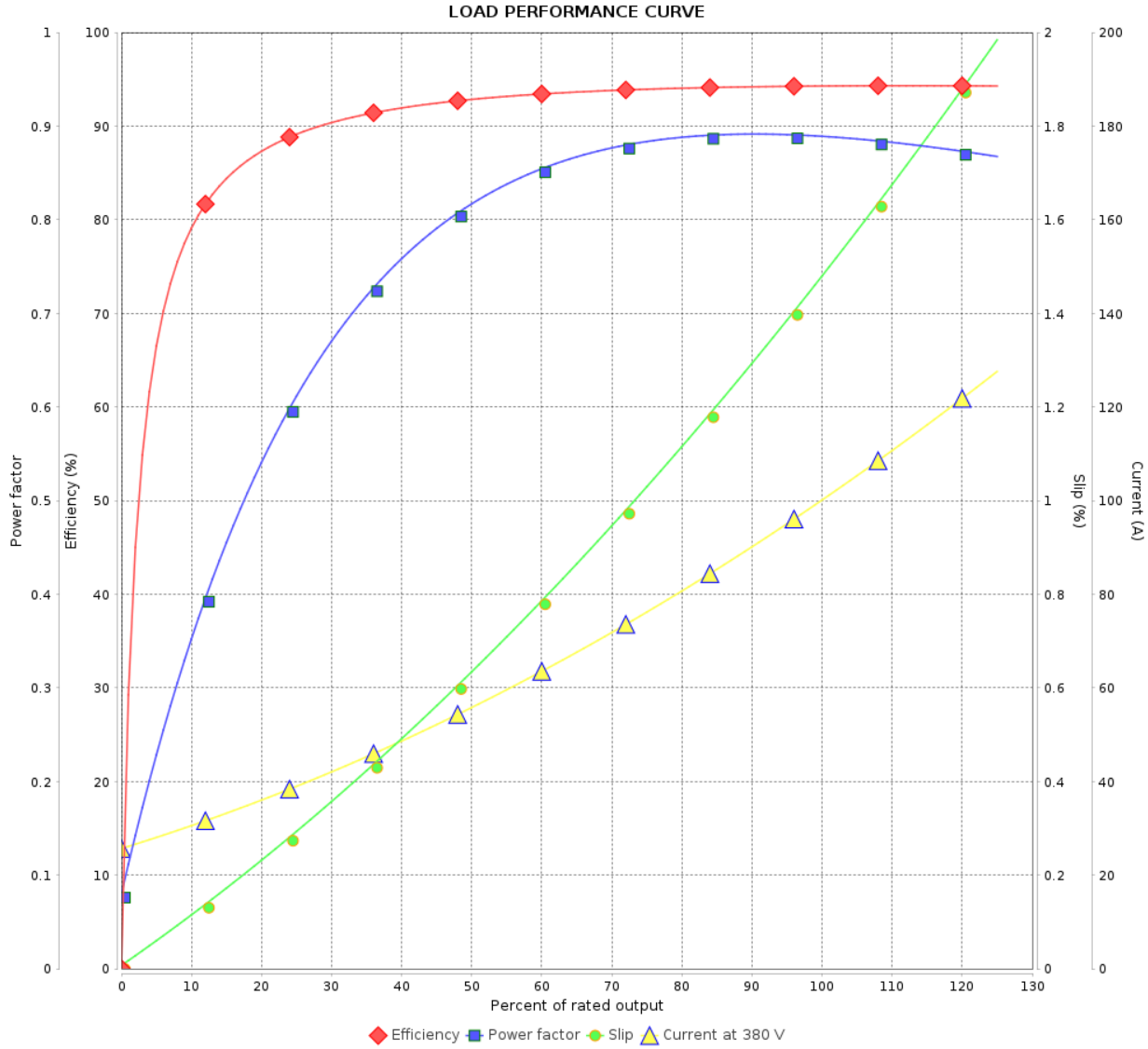
Three Phase Induction Motor - Squirrel Cage



Customer :

Product line : W22 P Base NEMA Premium
Efficiency Three-Phase

Product code : 14605782



Performance : 380 V 50 Hz 2P IE3

Rated current : 99.6 A
LRC : 6.8
Rated torque : 18.4 kgfm
Locked rotor torque : 250 %
Breakdown torque : 280 %
Rated speed : 2955 rpm

Moment of inertia (J) : 0.5561 kgm²
Duty cycle : Cont.(S1)
Insulation class : F
Service factor : 1.00
Temperature rise : 80 K
Design : B

Rev.	Changes Summary	Performed	Checked	Date
Performed by			Page 4 / 6	Revision
Checked by				
Date	29/10/2024			

LOAD PERFORMANCE CURVE

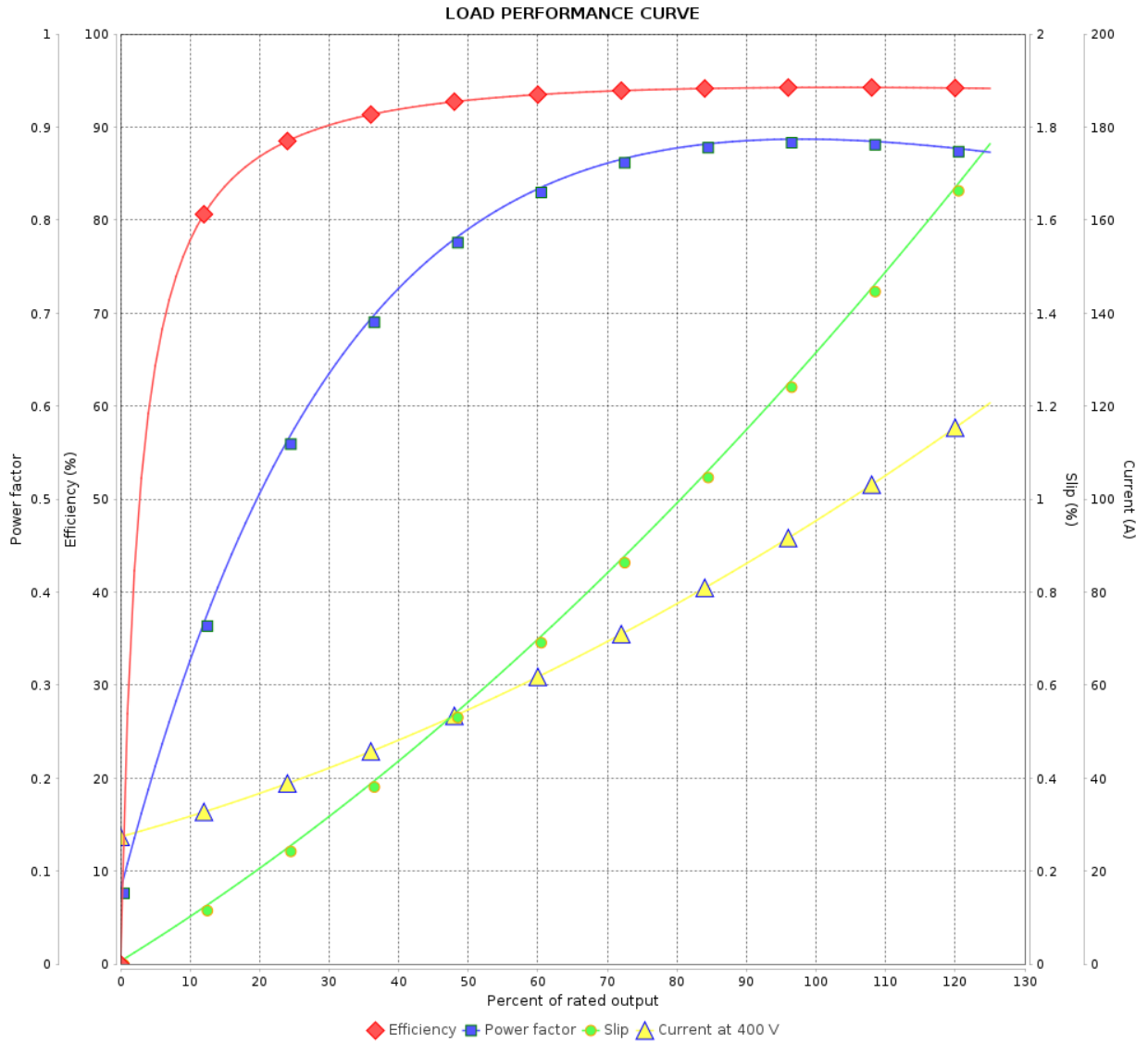
Three Phase Induction Motor - Squirrel Cage



Customer :

Product line : W22 P Base NEMA Premium
Efficiency Three-Phase

Product code : 14605782



Performance : 400 V 50 Hz 2P IE3

Rated current : 94.6 A
 LRC : 7.6
 Rated torque : 18.4 kgfm
 Locked rotor torque : 280 %
 Breakdown torque : 310 %
 Rated speed : 2960 rpm

Moment of inertia (J) : 0.5561 kgm²
 Duty cycle : Cont.(S1)
 Insulation class : F
 Service factor : 1.00
 Temperature rise : 80 K
 Design : B

Rev.	Changes Summary	Performed	Checked	Date
Performed by			Page	Revision
Checked by				
Date				

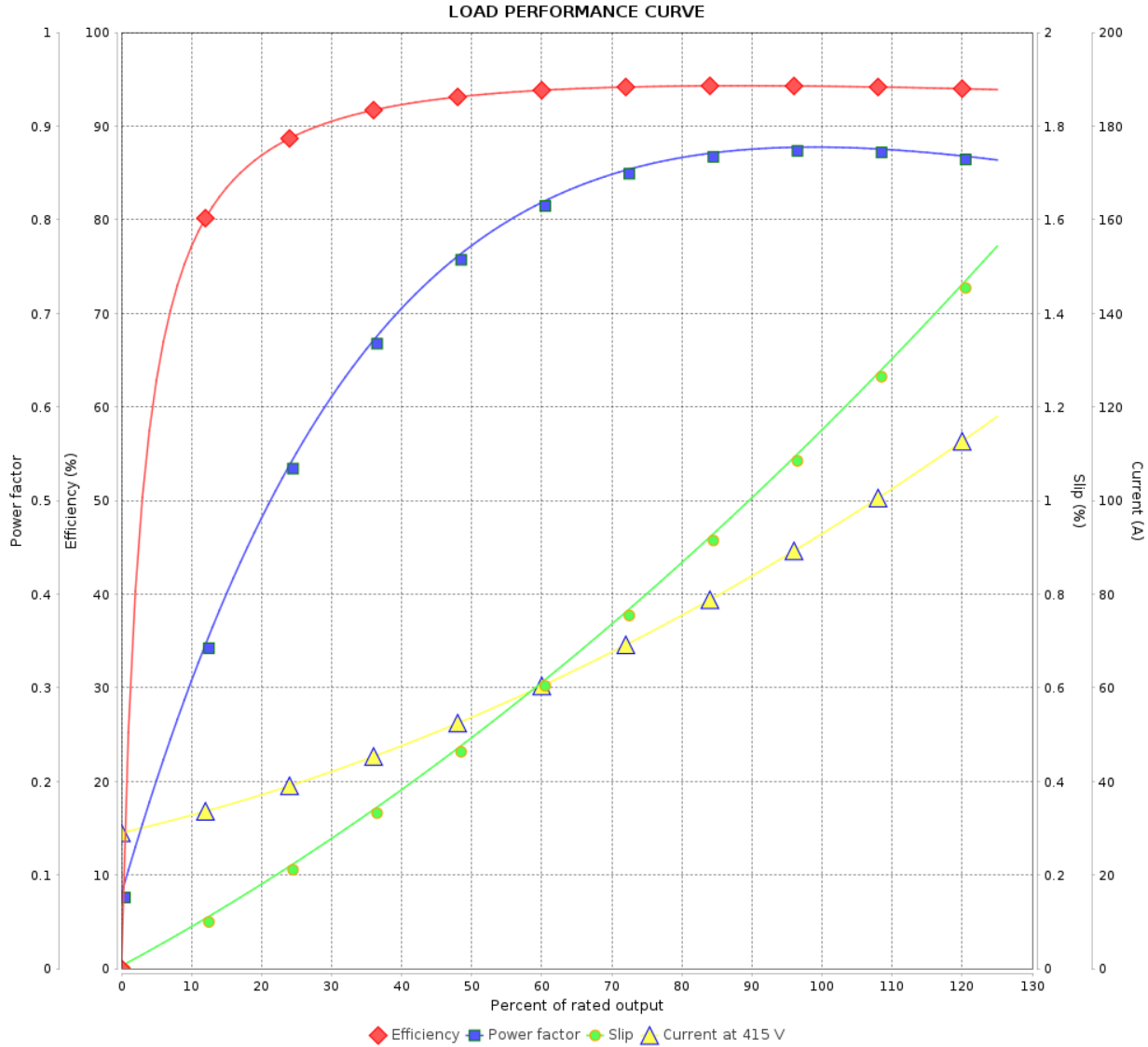
LOAD PERFORMANCE CURVE

Three Phase Induction Motor - Squirrel Cage



Customer :

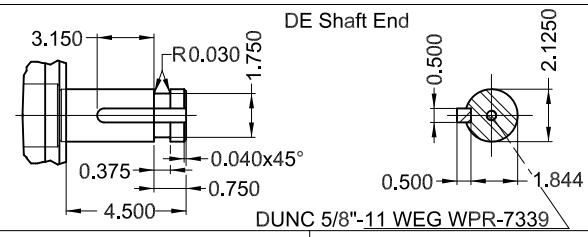
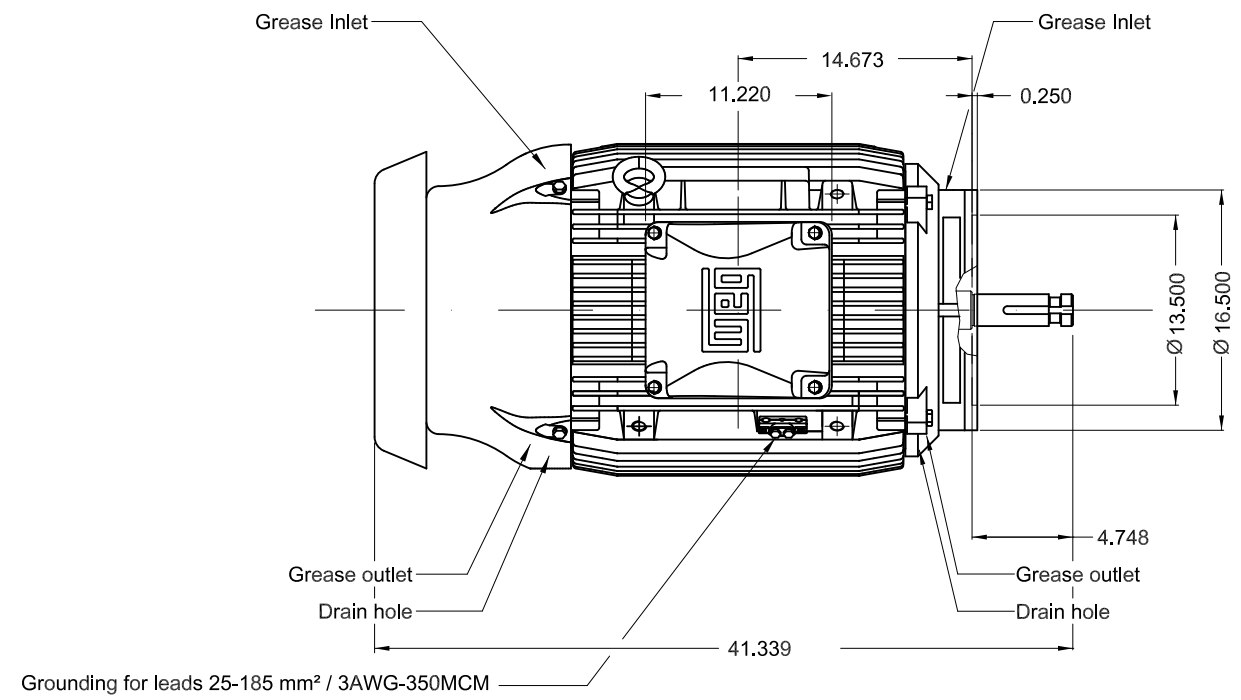
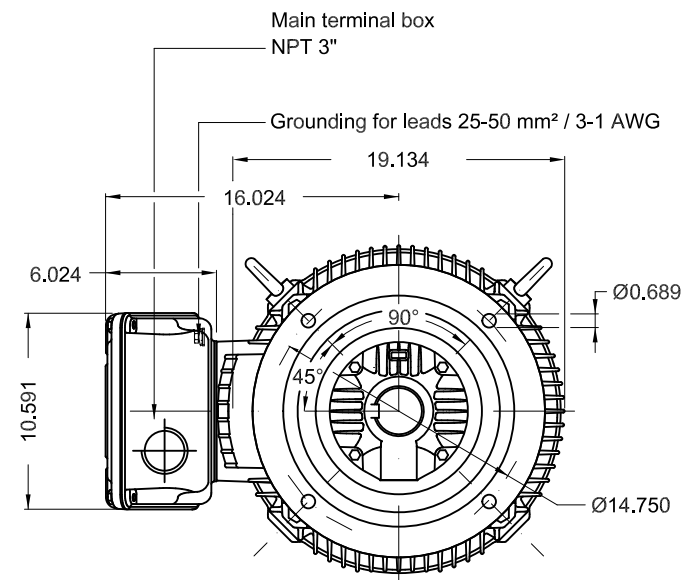
Product line : W22 P Base NEMA Premium Efficiency Three-Phase Product code : 14605782



Performance : 415 V 50 Hz 2P IE3

Rated current	: 92.2 A	Moment of inertia (J)	: 0.5561 kgm ²
LRC	: 8.2	Duty cycle	: Cont.(S1)
Rated torque	: 18.4 kgfm	Insulation class	: F
Locked rotor torque	: 300 %	Service factor	: 1.00
Breakdown torque	: 330 %	Temperature rise	: 80 K
Rated speed	: 2965 rpm	Design	: B

Rev.	Changes Summary	Performed	Checked	Date
Performed by			Page 6 / 6	Revision
Checked by				
Date	29/10/2024			



100 HP 02 Poles 60 Hz A

Color RAL 5009
 Painting plan 203A
 Mounting NEMA W-6
 Mounting V1

ECM	LOC	SUMMARY OF MODIFICATIONS	EXECUTED	CHECKED	RELEASED	DATE	VER
EXECUTED	DATAVIEWERUSER	THREE PH. MOTOR W22 P. BASE PREM. EFF. FRAME 404/5HPH IP55 TEFC					
CHECKED							
RELEASED							
REL DT.	WMO		Jaragua do Sul	Product Engineering			

PREVIEW
 WDD
 SHEET 1 / 1

