

DATA SHEET

Single Phase Induction Motor - Squirrel Cage



Customer					
Product line	: Jet Pump - C type Single-Phase	Product code	: 14580015		
Frame	: 56C	Cooling method	: IC01 - ODP		
Insulation class	: F	Mounting	: F-1		
Duty cycle	: Cont.(S1)	Rotation ¹	: CCW		
Ambient temperature	: -20°C to +40°C	Starting method	: Direct On Line		
Altitude	: 1000 m.a.s.l.	Approx. weight ³	: 13.8 kg		
Design	: N	Moment of inertia (J)	: 0.0023 kgm ²		
Output [HP]	1				
Poles	2				
Frequency [Hz]	60				
Rated voltage [V]	115/208-230				
Rated current [A]	8.60/4.75-4.30				
L. R. Amperes [A]	72.2/39.9-36.1				
LRC [A]	8.4x(Code K)				
No load current [A]	2.60/1.12-1.30				
Rated speed [RPM]	3510				
Slip [%]	2.50				
Rated torque [kgfm]	0.207				
Locked rotor torque [%]	290				
Breakdown torque [%]	300				
Service factor					
Temperature rise	80 K				
Locked rotor time	28s (cold) 16s (hot)				
Noise level ²	58.0 dB(A)				
Efficiency (%)	25%				
	50%	69.0			
	75%	76.0			
	100%	80.4			
Power Factor	25%				
	50%	0.89			
	75%	0.93			
	100%	0.94			
Bearing type	: <u>Drive end</u> 6203 2RS	<u>Non drive end</u> 6202 2RS	Foundation loads		
Sealing	: Without	Without	Max. traction	: 13 kgf	
	Bearing Seal	Bearing Seal	Max. compression	: 26 kgf	
Lubrication interval	: -	-			
Lubricant amount	: -	-			
Lubricant type	: Mobil Polyrex EM				
Notes					
<p>This revision replaces and cancel the previous one, which must be eliminated.</p> <p>(1) Looking the motor from the shaft end.</p> <p>(2) Measured at 1m and with tolerance of +3dB(A).</p> <p>(3) Approximate weight subject to changes after manufacturing process.</p> <p>(4) At 100% of full load.</p>			<p>These are average values based on tests with sinusoidal power supply, subject to the tolerances stipulated in NEMA MG-1.</p>		
Rev.	Changes Summary		Performed	Checked	Date
Performed by					
Checked by				Page	Revision
Date	17/05/2022			1 / 2	

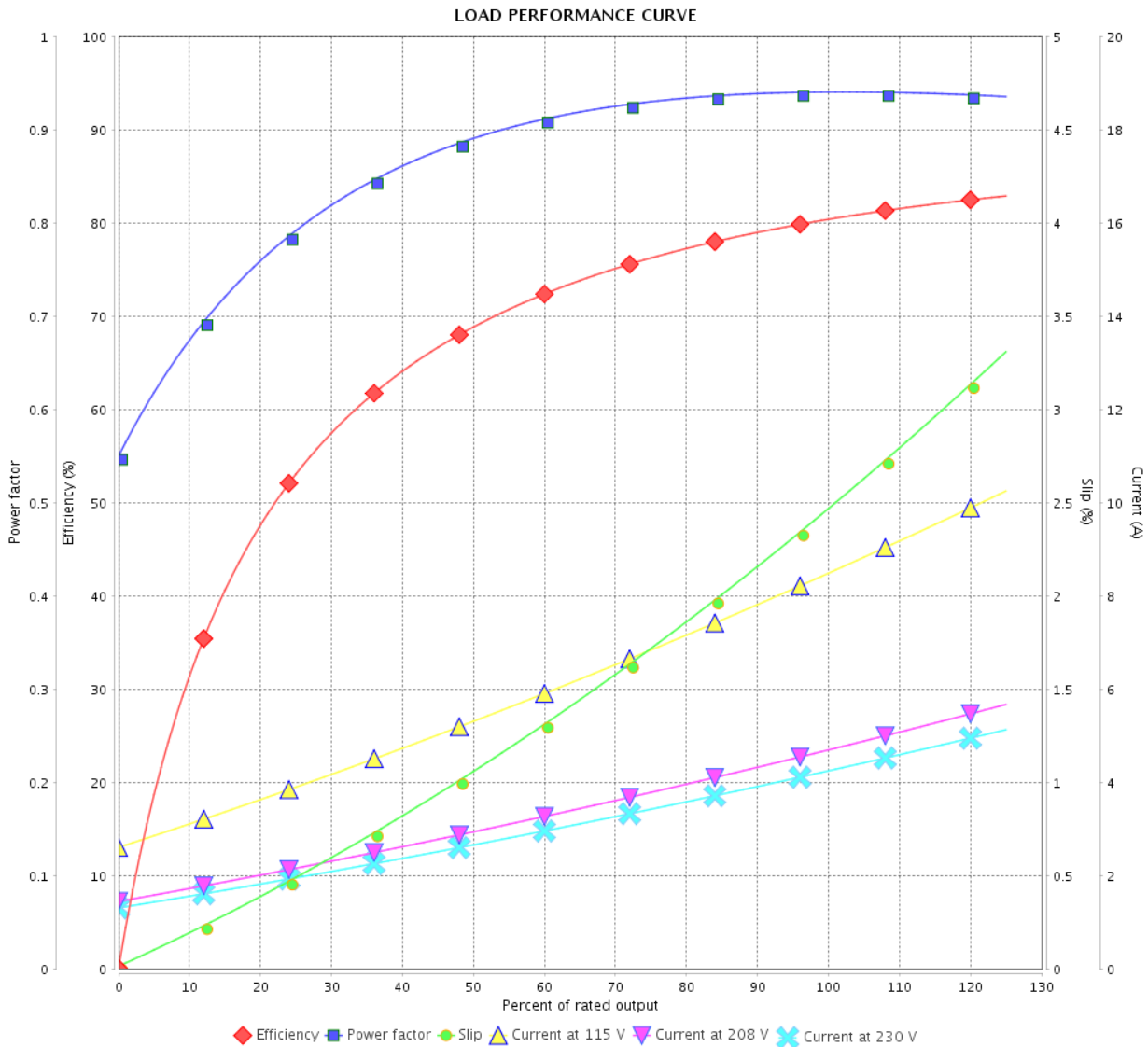
LOAD PERFORMANCE CURVE

Single Phase Induction Motor - Squirrel Cage



Customer :

Product line : Jet Pump - C type Single-Phase Product code : 14580015



Performance : 115/208-230 V 60 Hz 2P

Rated current : 8.60/4.75-4.30 A
 LRC : 8.4
 Rated torque : 0.207 kgfm
 Locked rotor torque : 290 %
 Breakdown torque : 300 %
 Rated speed : 3510 rpm

Moment of inertia (J) : 0.0023 kgm²
 Duty cycle : Cont.(S1)
 Insulation class : F
 Service factor :
 Temperature rise : 80 K
 Design : N

Rev.	Changes Summary	Performed	Checked	Date
Performed by			Page	Revision
Checked by				
Date				

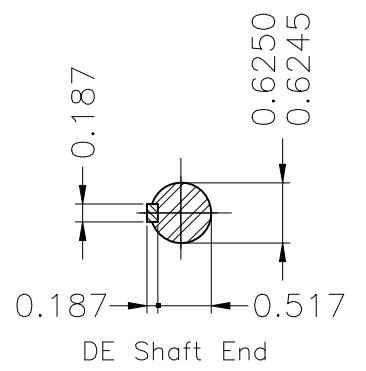
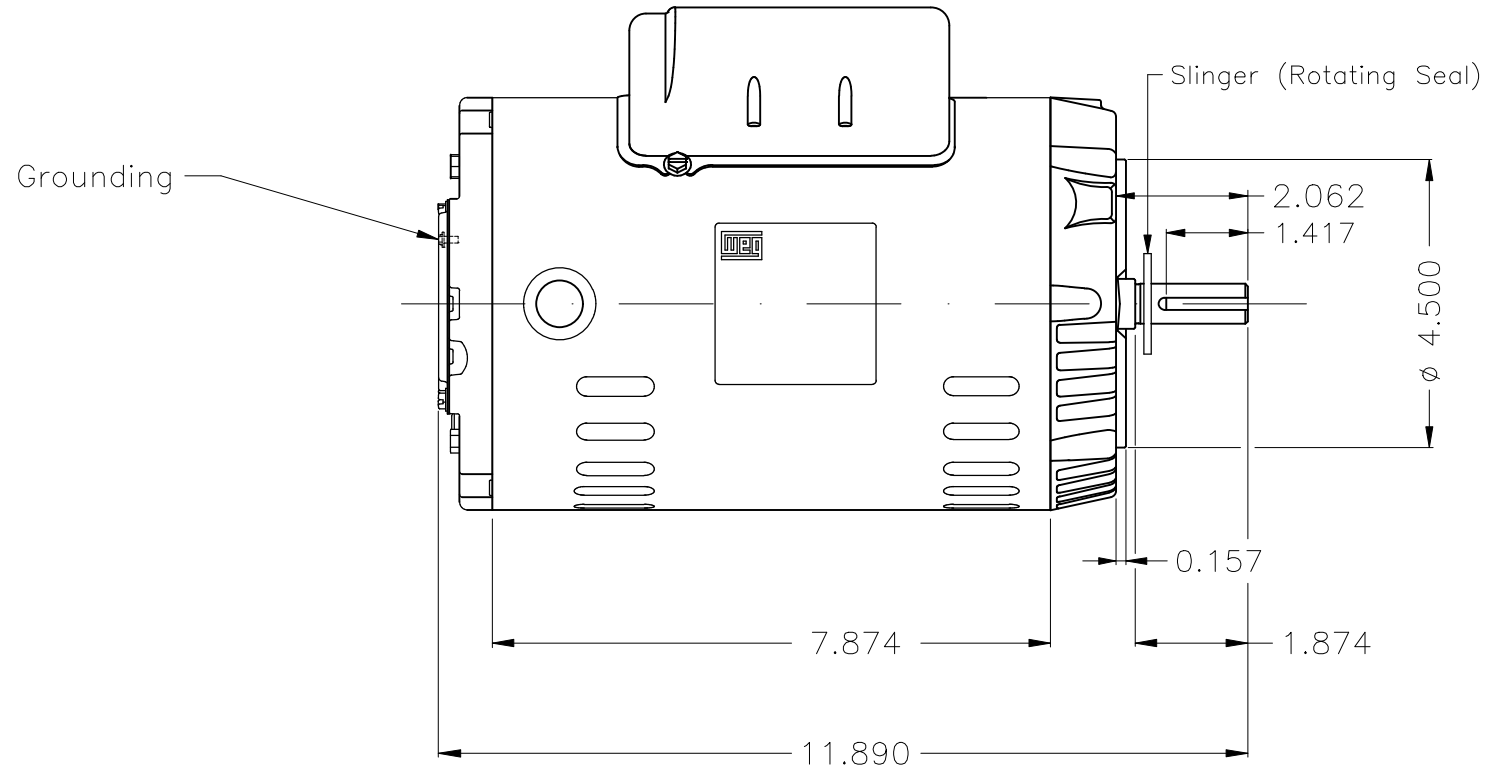
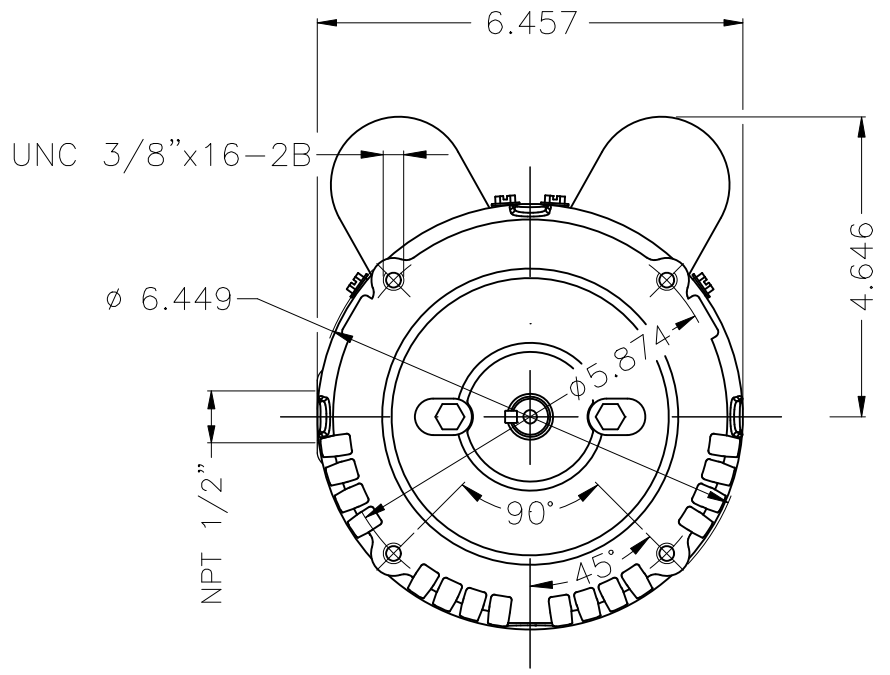
A

B

C

D

E



Color Munsell N 1 matte black									
Painting plan 207N									
Mounting F-1/B14R(D)									
					HYBRISUSER	00			
ECM	LOC	SUMMARY OF MODIFICATIONS			EXECUTED	CHECKED	RELEASED	DATE	VER
EXECUTED	HYBRISUSER	SINGLE PH. MOTOR ROLLED STEEL JET PUMP KEYED PREM. EFF.							
CHECKED		FRAME 56C IP21 ODP							
RELEASED									
REL. DATE		WMO	Jaragua do Sul	Product Engineering	WDD	00			
					SHEET	1 / 1			

1 HP 02 Poles 60 Hz

A

