

DATA SHEET



Three Phase Induction Motor - Squirrel Cage

Customer :

Product line : W22 P Base NEMA Premium Efficiency Three-Phase Product code : 15012999

Frame	: 182/4HP	Locked rotor time	: 45s (cold) 25s (hot)
Output	: 5 HP (3.7 kW)	Temperature rise	: 80 K
Poles	: 2	Duty cycle	: Cont.(S1)
Frequency	: 60 Hz	Ambient temperature	: -20°C to +40°C
Rated voltage	: 208-230/460 V	Altitude	: 1000 m.a.s.l.
Rated current	: 13.0-11.8/5.90 A	Protection degree	: IP55
L. R. Amperes	: 98.8-89.7/44.8 A	Cooling method	: IC411 - TEFC
LRC	: 7.6x(Code J)	Mounting	: W-6
No load current	: 4.42-4.00/2.00 A	Rotation ¹	: Both (CW and CCW)
Rated speed	: 3485 rpm	Noise level ²	: 69.0 dB(A)
Slip	: 3.19 %	Starting method	: Direct On Line
Rated torque	: 1.04 kgfm	Approx. weight ³	: 47.0 kg
Locked rotor torque	: 229 %		
Breakdown torque	: 350 %		
Insulation class	: F		
Service factor	: 1.25		
Moment of inertia (J)	: 0.0094 kgm ²		
Design	: B		

Output	25%	50%	75%	100%	Foundation loads
Efficiency (%)	0.000	86.5	88.5	88.5	Max. traction
Power Factor	0.00	0.76	0.85	0.89	Max. compression

	Drive end	Non drive end
Bearing type	: 6308 ZZ	: 6206 ZZ
Sealing	: V'Ring	: V'Ring
Lubrication interval	: 0 h	: 0 h
Lubricant amount	: 0 g	: 0 g
Lubricant type	: Mobil Polyrex EM	

Notes

This revision replaces and cancel the previous one, which must be eliminated.

- (1) Looking the motor from the shaft end.
- (2) Measured at 1m and with tolerance of +3dB(A).
- (3) Approximate weight subject to changes after manufacturing process.
- (4) At 100% of full load.

These are average values based on tests with sinusoidal power supply, subject to the tolerances stipulated in NEMA MG-1.

Rev.	Changes Summary	Performed	Checked	Date
Performed by		Page		Revision
Checked by		1 / 2		
Date	29/10/2024			

LOAD PERFORMANCE CURVE

Three Phase Induction Motor - Squirrel Cage

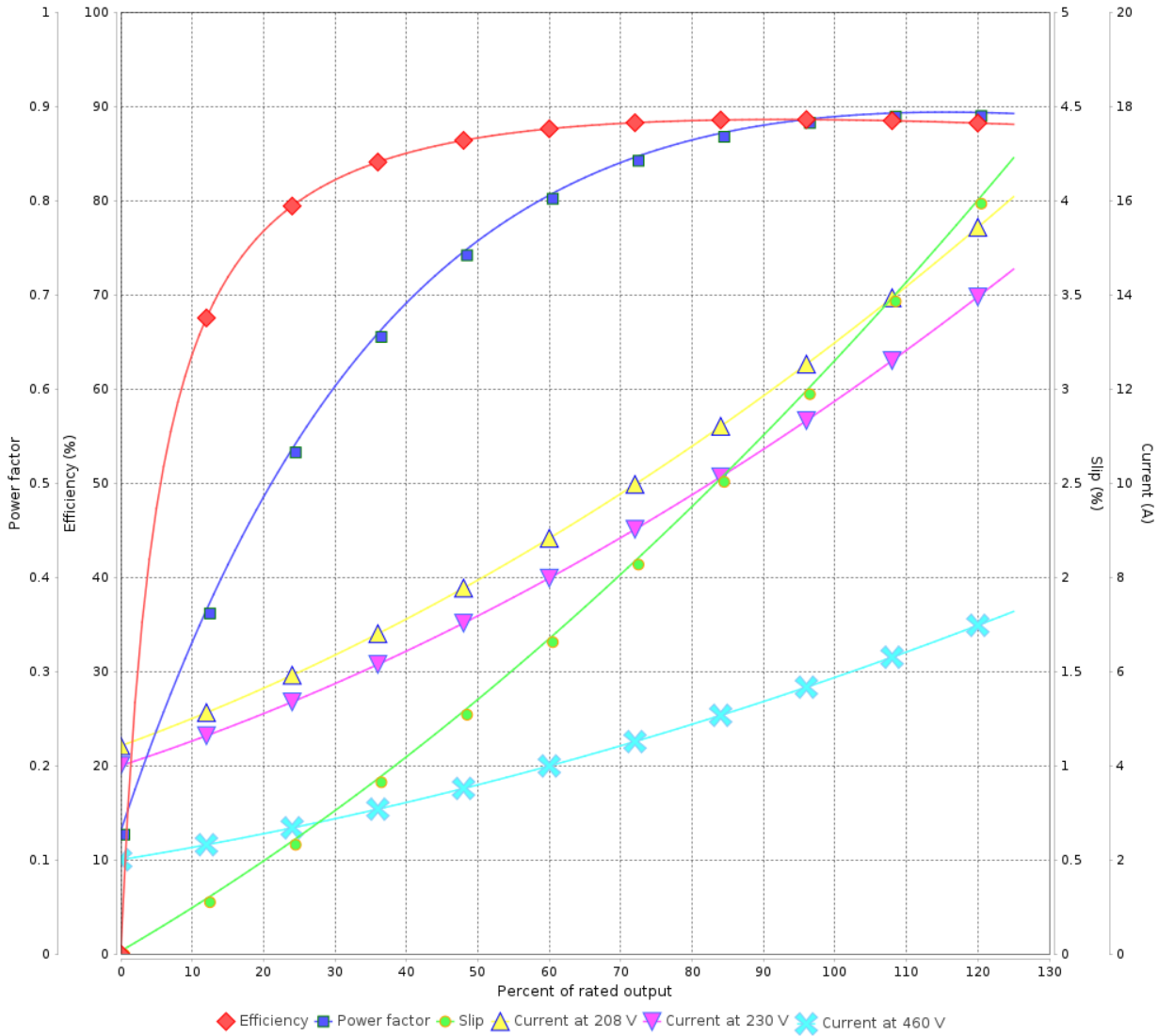


Customer :

Product line : W22 P Base NEMA Premium
Efficiency Three-Phase

Product code : 15012999

LOAD PERFORMANCE CURVE



Performance : 208-230/460 V 60 Hz 2P

Rated current : 13.0-11.8/5.90 A
 LRC : 7.6
 Rated torque : 1.04 kgfm
 Locked rotor torque : 229 %
 Breakdown torque : 350 %
 Rated speed : 3485 rpm

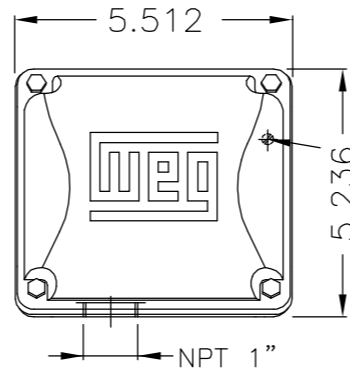
Moment of inertia (J) : 0.0094 kgm²
 Duty cycle : Cont.(S1)
 Insulation class : F
 Service factor : 1.25
 Temperature rise : 80 K
 Design : B

Rev.	Changes Summary	Performed	Checked	Date
Performed by			Page 2 / 2	Revision
Checked by				
Date	29/10/2024			

EIXO/SHAFT		Dimensões em polegada Dimensions in inches
PADRÃO/STANDARD		
OPCIONAL/OPTIONAL		
ESPECIAL/SPECIAL	X	

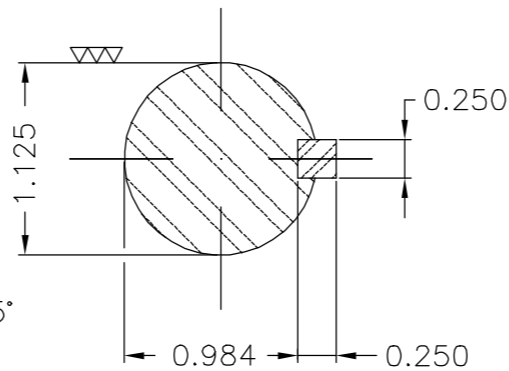
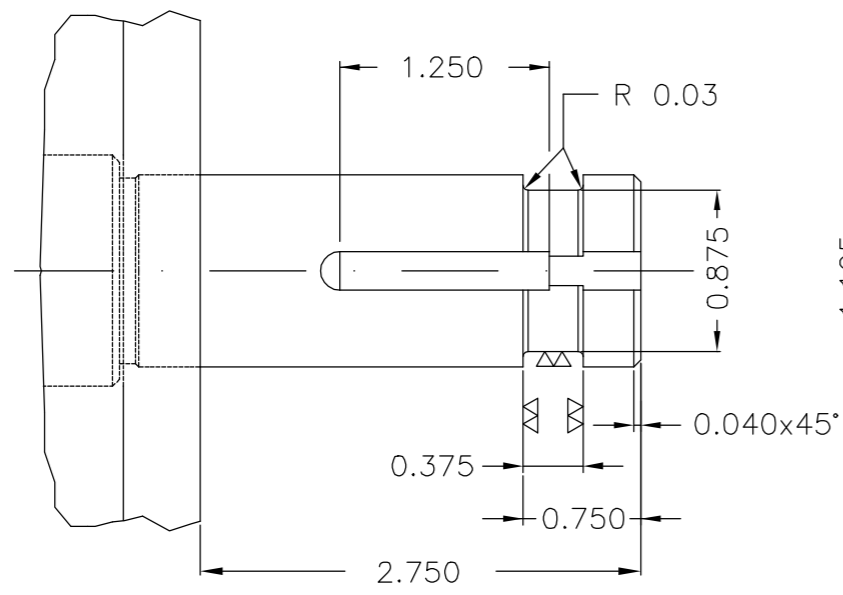
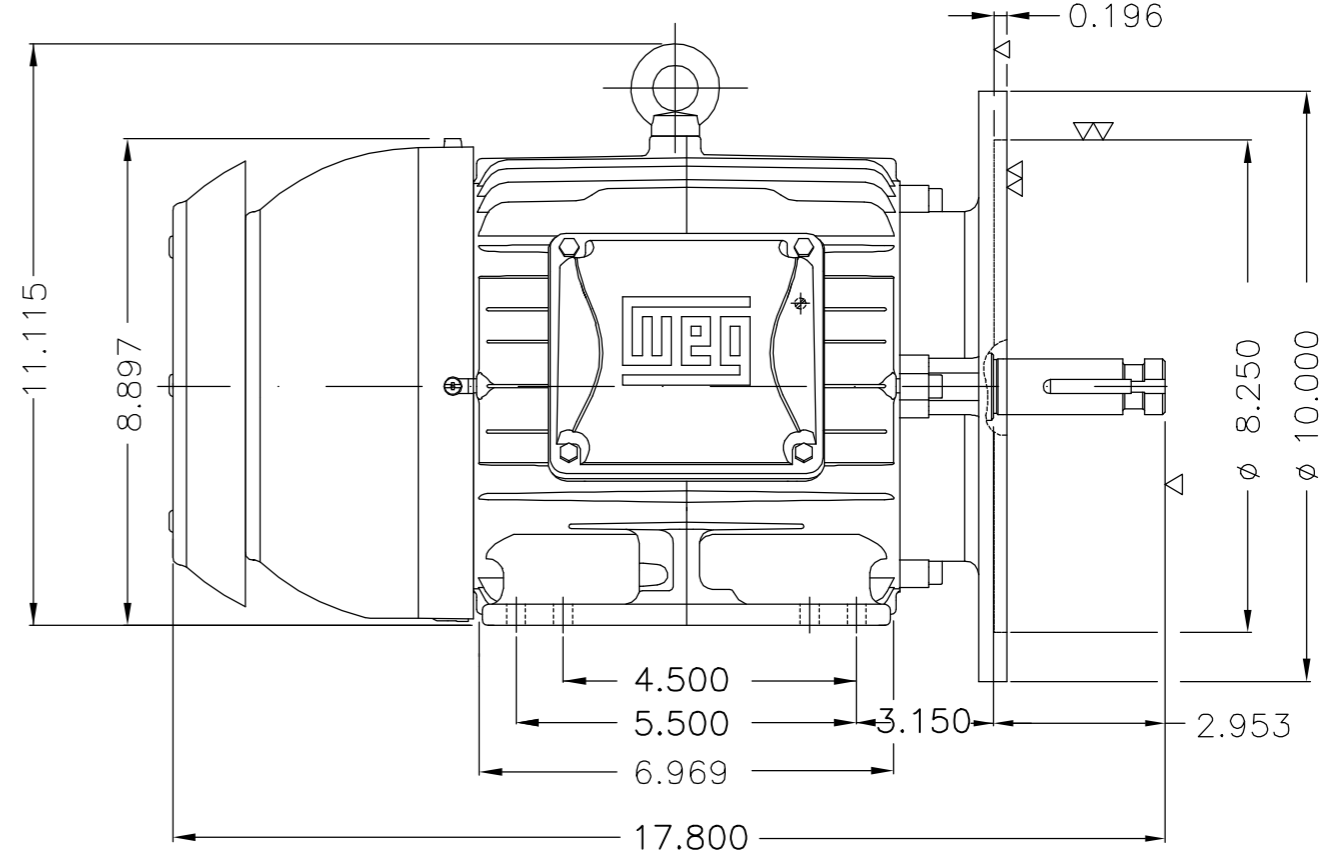
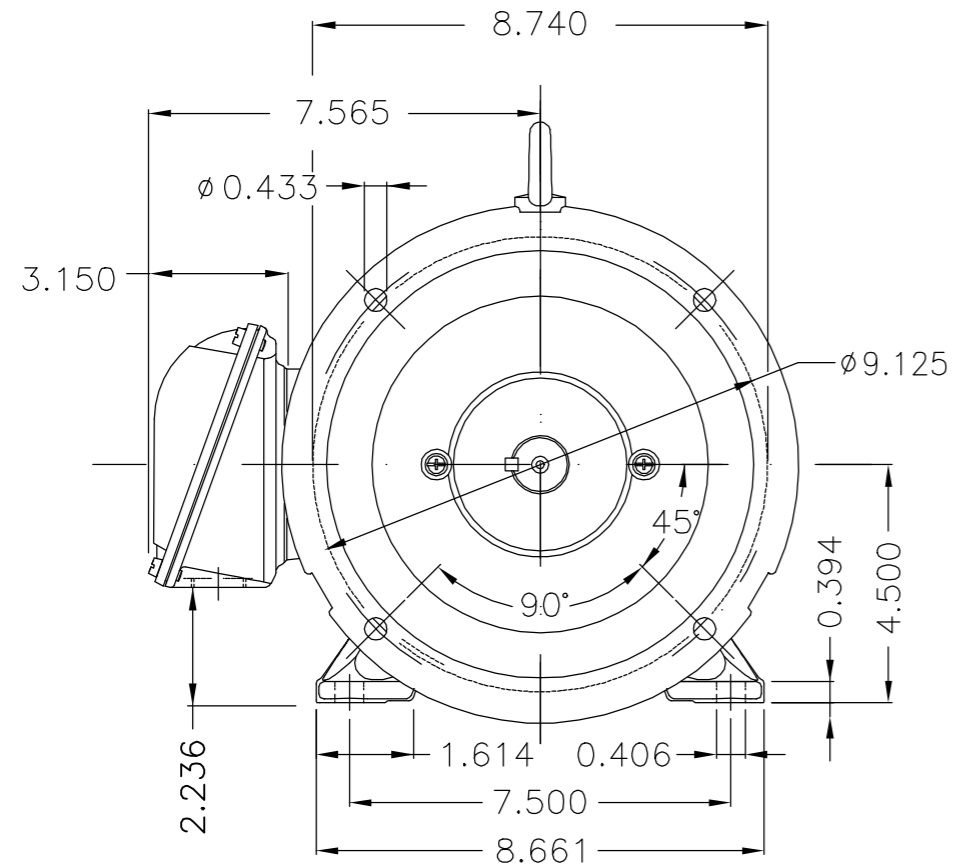
CERTIFIED WEG MOTORES
Certified document.
Not subject to changes.

THIS IS AN UPDATED REVISION, THE PREVIOUS ONE MUST BE DISREGARDED.



Main terminal box

Grounding for leads 2-10 mm² / 14-7 AWG



Cor RAL 5009 / Color RAL 5009
Plano de pintura 207A / Painting plan 207A
Forma construtiva NEMA W-6 / Mounting NEMA W-6
Forma construtiva V15D / Mounting V15R(D)
V.J. PAMENSKY CANADA INC.

500001505180		ALTERADO CONFORME CLAIM 415195664	PKREYSSIG	CLEBERP	CLEBERP	11.10.2018	01
500001302899		DOCUMENTO NOVO	JOAOVICTOR	ADEMILSON	ADEMILSON	26.04.2017	00
ECM	LOC	SUMMARY OF MODIFICATIONS	EXECUTED	CHECKED	RELEASED	DATE	VER
EXECUTED	JOAOVICTOR	THREE PHASE W22 P-BASE MOTOR PREMIUM EFF FRAME 182/4HP IP55 TEFC P. BASE	10004902537				
CHECKED	ADEMILSON		000	01			
RELEASED	ADEMILSON		SHEET 1 / 1				
REL DT	26.04.2017	WMO Jaragua do Sul	Product Engineering				

5 HP 02 Poles 60Hz 414647698/1 MEC.

UNCONTROLLED COPY

RELEASED

ZME A3