

# DATA SHEET

## Three Phase Induction Motor - Squirrel Cage



Customer :				
Product line	: Three-Phase	Product code :	14562089	
Frame	: W56C	Cooling method	: IC411 - TEFC	
Insulation class	: F	Mounting	: F-1	
Duty cycle	: Cont.(S1)	Rotation <sup>1</sup>	: Both (CW and CCW)	
Ambient temperature	: -20°C to +40°C	Starting method	: Direct On Line	
Altitude	: 1000 m.a.s.l.	Approx. weight <sup>3</sup>	: 6.8 kg	
Protection degree	: IP55	Moment of inertia (J)	: 0.0012 kgm <sup>2</sup>	
Output [HP]	0.25			
Poles	4			
Frequency [Hz]	60			
Rated voltage [V]	575			
Rated current [A]	0.374			
L. R. Amperes [A]	2.10			
LRC [A]	5.6x(Code K)			
No load current [A]	0.302			
Rated speed [RPM]	1740			
Slip [%]	3.33			
Rated torque [kgfm]	0.104			
Locked rotor torque [%]	240			
Breakdown torque [%]	320			
Service factor	1.15			
Temperature rise	80 K			
Locked rotor time	50s (cold) 28s (hot)			
Noise level <sup>2</sup>	50.0 dB(A)			
Efficiency (%)	25%			
	50%	59.5		
	75%	66.0		
	100%	70.0		
Power Factor	25%			
	50%	0.48		
	75%	0.60		
	100%	0.69		
Bearing type	: <u>Drive end</u> 6203 ZZ	<u>Non drive end</u> 6202 ZZ	Foundation loads	
Sealing	: V'Ring	V'Ring	Max. traction : 7 kgf	
Lubrication interval	: -	-	Max. compression : 14 kgf	
Lubricant amount	: -	-		
Lubricant type	: Mobil Polyrex EM			
Notes				
This revision replaces and cancel the previous one, which must be eliminated. (1) Looking the motor from the shaft end. (2) Measured at 1m and with tolerance of +3dB(A). (3) Approximate weight subject to changes after manufacturing process. (4) At 100% of full load.		These are average values based on tests with sinusoidal power supply, subject to the tolerances stipulated in NEMA MG-1.		
Rev.	Changes Summary	Performed	Checked	Date
Performed by				
Checked by			Page	Revision
Date	17/05/2022		1 / 2	

# LOAD PERFORMANCE CURVE

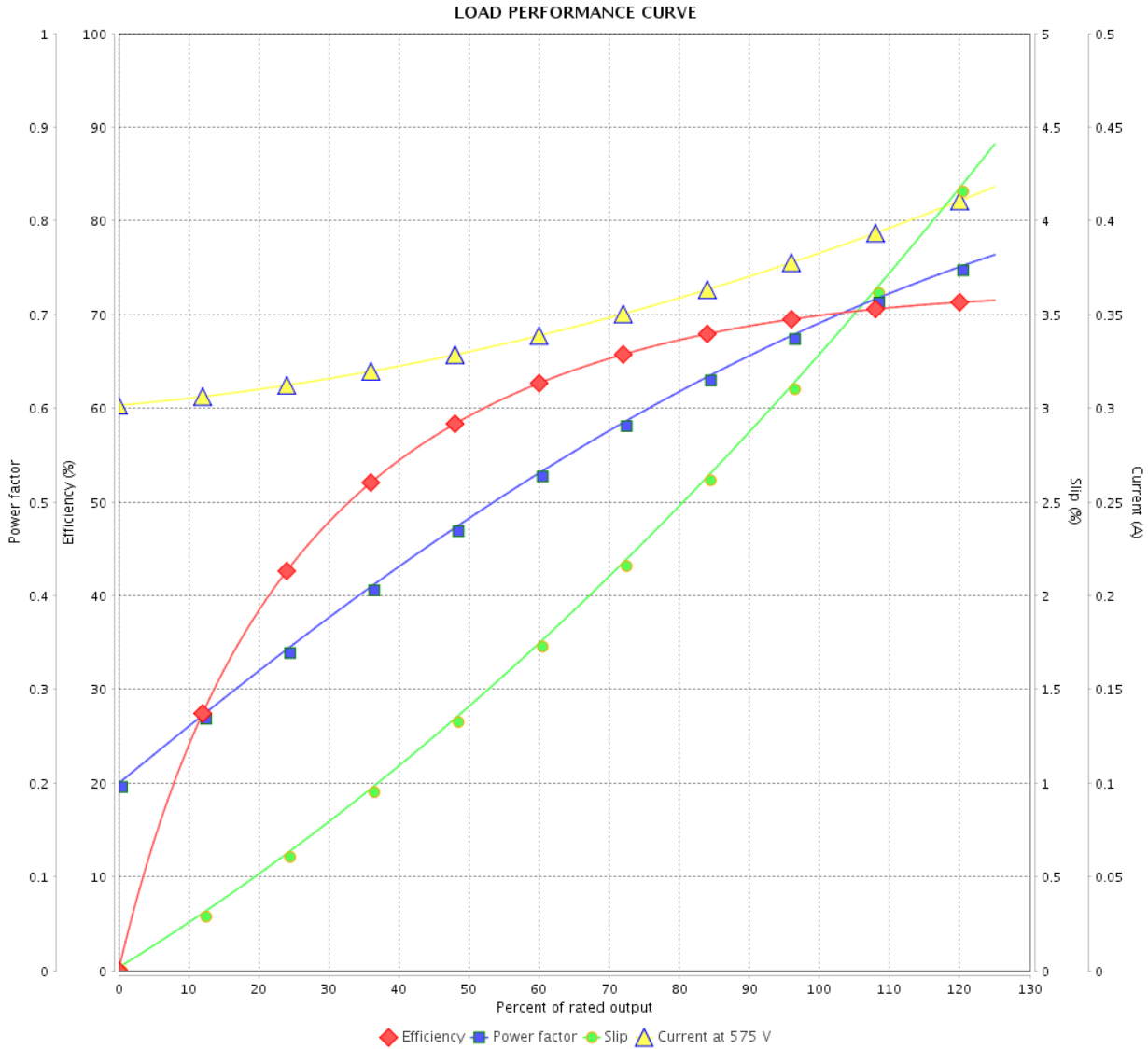
Three Phase Induction Motor - Squirrel Cage



Customer :

Product line : Three-Phase

Product code : 14562089



Performance : 575 V 60 Hz 4P

Rated current : 0.374 A  
 LRC : 5.6  
 Rated torque : 0.104 kgfm  
 Locked rotor torque : 240 %  
 Breakdown torque : 320 %  
 Rated speed : 1740 rpm

Moment of inertia (J) : 0.0012 kgm<sup>2</sup>  
 Duty cycle : Cont.(S1)  
 Insulation class : F  
 Service factor : 1.15  
 Temperature rise : 80 K

Rev.	Changes Summary	Performed	Checked	Date
Performed by			Page 2 / 2	Revision
Checked by				
Date	17/05/2022			

1 2 3 4 5 6

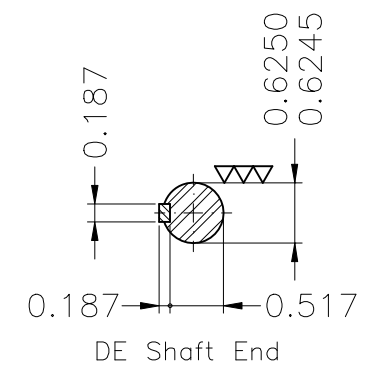
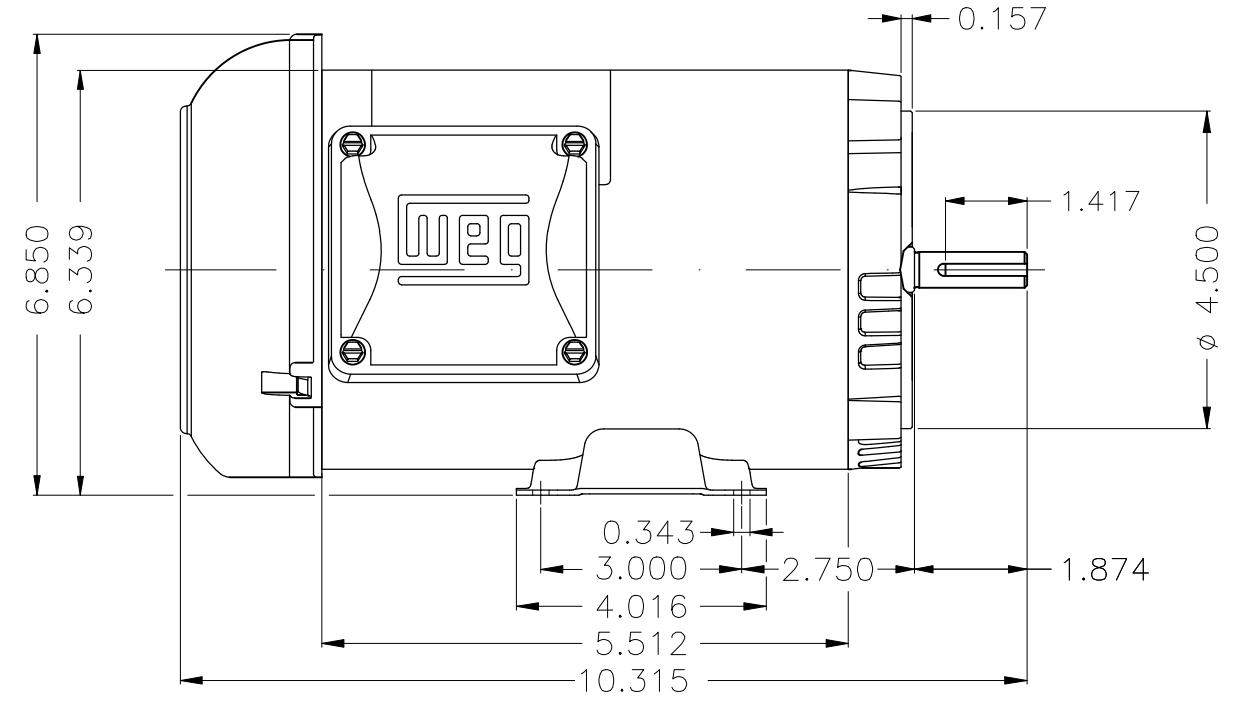
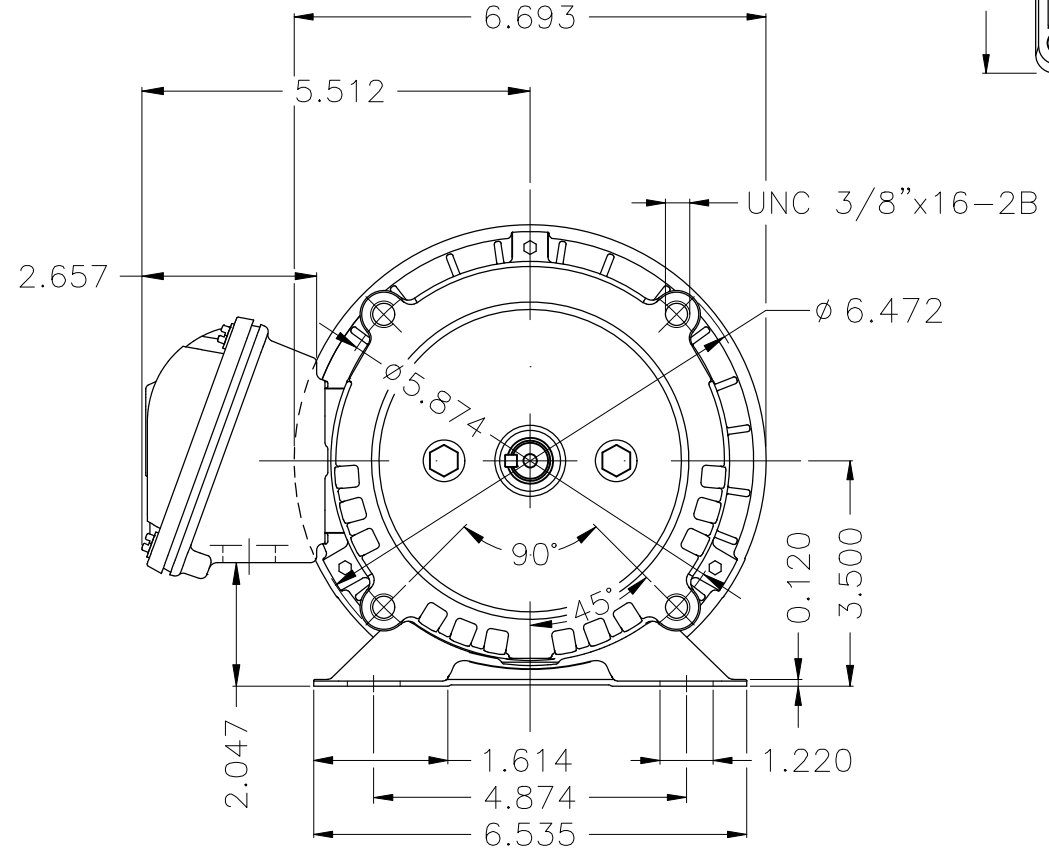
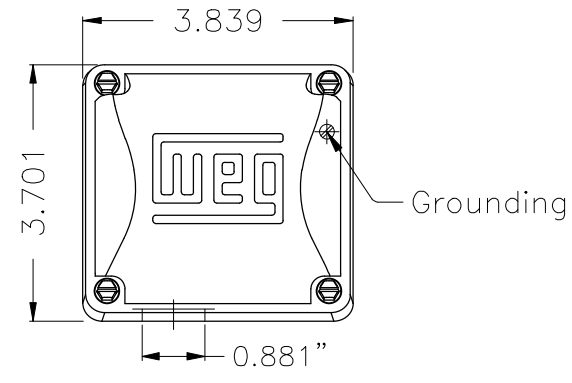
A

B

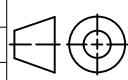
C

D

E



Color Munsell N 1 matte black  
 Painting plan 207N  
 Mounting B34D

ECM	LOC	SUMMARY OF MODIFICATIONS	EXECUTED	CHECKED	RELEASED	DATE	VER
EXECUTED	HYBRISUSER	 THREE PH. MOTOR ROLLED STEEL PREM. EFF. FRAME W56C IP55 TEFC					
CHECKED							
RELEASED							
REL. DATE	WMO	Jaragua do Sul	Product Engineering	HYBRISUSER	WDD	00	00

0.25 HP 04 Poles 60 Hz

A SHEET 1 / 1

