

# DATA SHEET

## Three Phase Induction Motor - Squirrel Cage



Customer :

Product line : General High Efficiency Three-Phase      Product code : 11994523

Frame	: E143/5TC	Locked rotor time	: 27s (cold) 15s (hot)
Output	: 2 HP (1.5 kW)	Temperature rise	: 80 K
Poles	: 4	Duty cycle	: Cont.(S1)
Frequency	: 60 Hz	Ambient temperature	: -20°C to +40°C
Rated voltage	: 230/460 V	Altitude	: 1000 m.a.s.l.
Rated current	: 5.80/2.90 A	Protection degree	: IP21
L. R. Amperes	: 45.2/22.6 A	Cooling method	: IC01 - ODP
LRC	: 7.8x(Code L)	Mounting	: F-1
No load current	: 3.60/1.80 A	Rotation <sup>1</sup>	: Both (CW and CCW)
Rated speed	: 1730 rpm	Noise level <sup>2</sup>	: 52.0 dB(A)
Slip	: 3.89 %	Starting method	: Direct On Line
Rated torque	: 0.839 kgfm	Approx. weight <sup>3</sup>	: 20.2 kg
Locked rotor torque	: 340 %		
Breakdown torque	: 320 %		
Insulation class	: F		
Service factor	: 1.15		
Moment of inertia (J)	: 0.0068 kgm <sup>2</sup>		
Design	: B		

Output	50%	75%	100%	Foundation loads	
Efficiency (%)	82.5	84.0	84.0	Max. traction	: 66 kgf
Power Factor	0.58	0.70	0.78	Max. compression	: 86 kgf

	Drive end	Non drive end
Bearing type	: 6205 ZZ	: 6204 ZZ
Sealing	: Without Bearing Seal	: Without Bearing Seal
Lubrication interval	: -	: -
Lubricant amount	: -	: -
Lubricant type	: Mobil Polyrex EM	

Notes  
USABLE @208V 6.30A SF 1.00 SFA 6.30A

This revision replaces and cancel the previous one, which must be eliminated.

- (1) Looking the motor from the shaft end.
- (2) Measured at 1m and with tolerance of +3dB(A).
- (3) Approximate weight subject to changes after manufacturing process.
- (4) At 100% of full load.

These are average values based on tests with sinusoidal power supply, subject to the tolerances stipulated in NEMA MG-1.

Rev.	Changes Summary	Performed	Checked	Date
Performed by				
Checked by			Page	Revision
Date	02/04/2025		1 / 2	

# LOAD PERFORMANCE CURVE

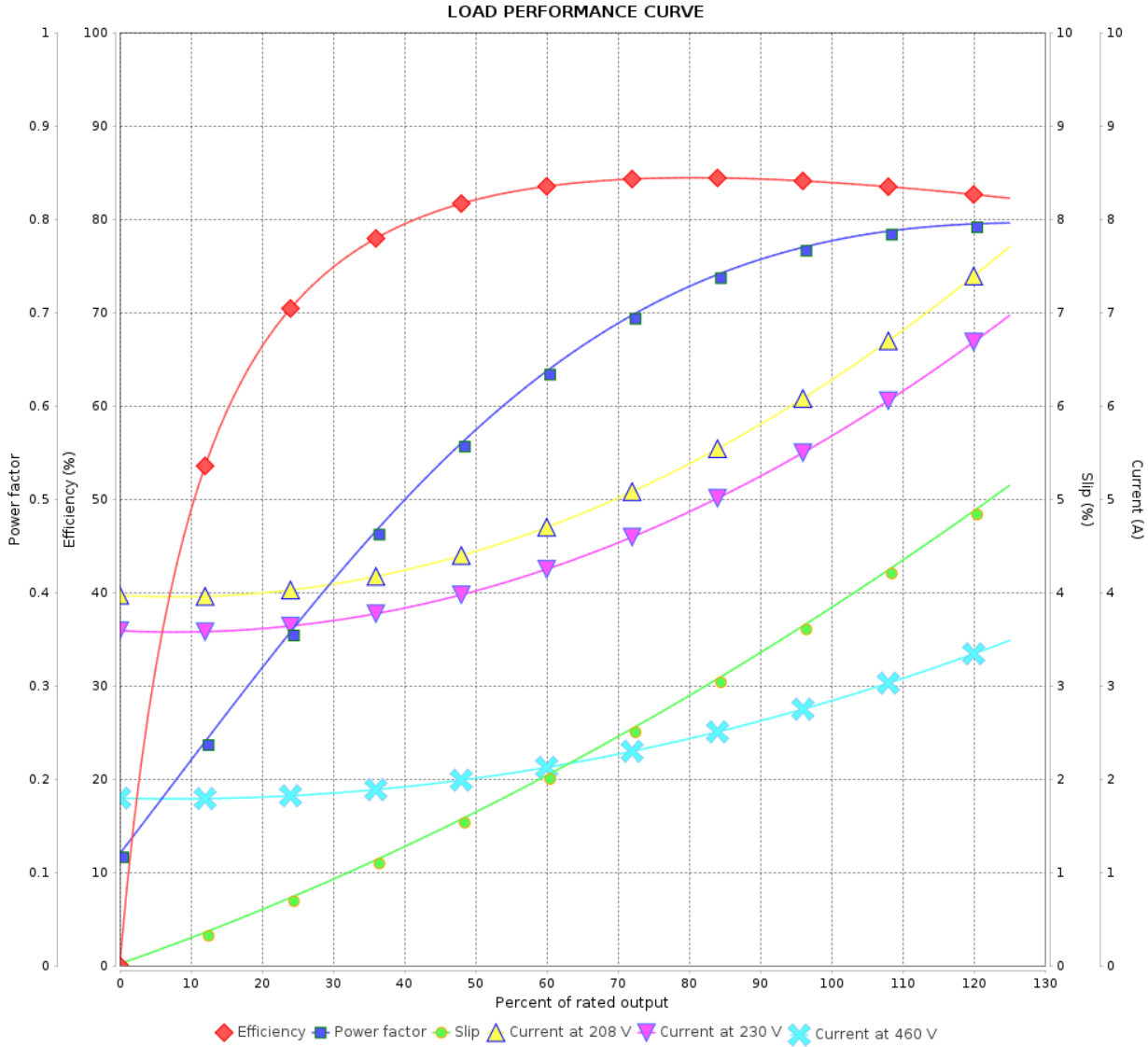
Three Phase Induction Motor - Squirrel Cage



Customer : \_\_\_\_\_

Product line : General High Efficiency Three-Phase

Product code : 11994523

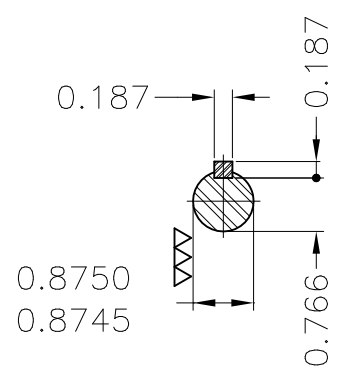
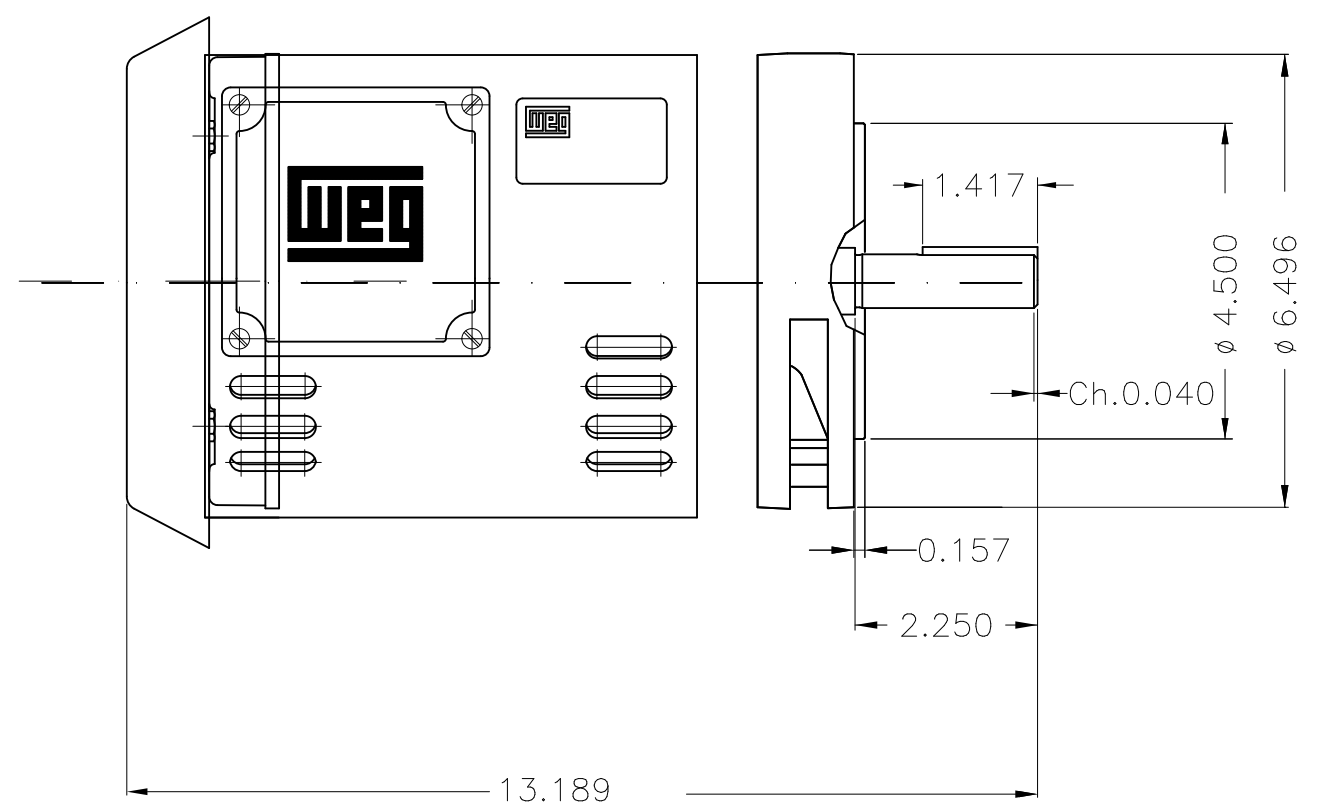
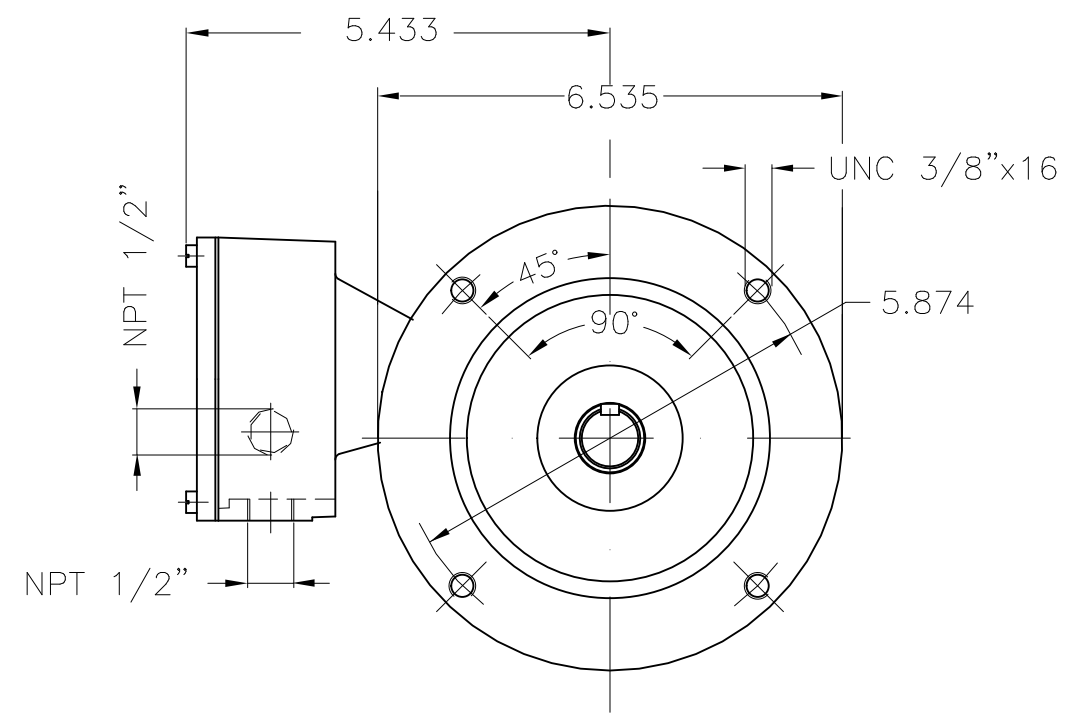


Performance : 230/460 V 60 Hz 4P

Rated current : 5.80/2.90 A  
 LRC : 7.8  
 Rated torque : 0.839 kgfm  
 Locked rotor torque : 340 %  
 Breakdown torque : 320 %  
 Rated speed : 1730 rpm

Moment of inertia (J) : 0.0068 kgm<sup>2</sup>  
 Duty cycle : Cont.(S1)  
 Insulation class : F  
 Service factor :  
 Temperature rise : 80 K  
 Design : B

Rev.	Changes Summary	Performed	Checked	Date
Performed by			Page	Revision
Checked by				
Date				



Mounting B14R(D)									
ECM	LOC	SUMMARY OF MODIFICATIONS			EXECUTED	CHECKED	RELEASED	DATE	VER
EXECUTED	HYBRISUSER	THREE PH. MOTOR GENERAL HIGH EFF.							
CHECKED		FRAME E143/5TC IP21 ODP							
RELEASED									
REL. DATE		WMO	Jaragua do Sul	Product Engineering					

2 HP 04 Poles 60 Hz

Dimensions in inches XME A3



**PREVIEW**  
WDD 00  
SHEET 1 / 1