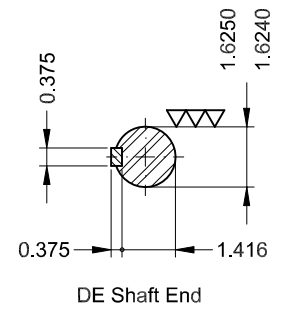
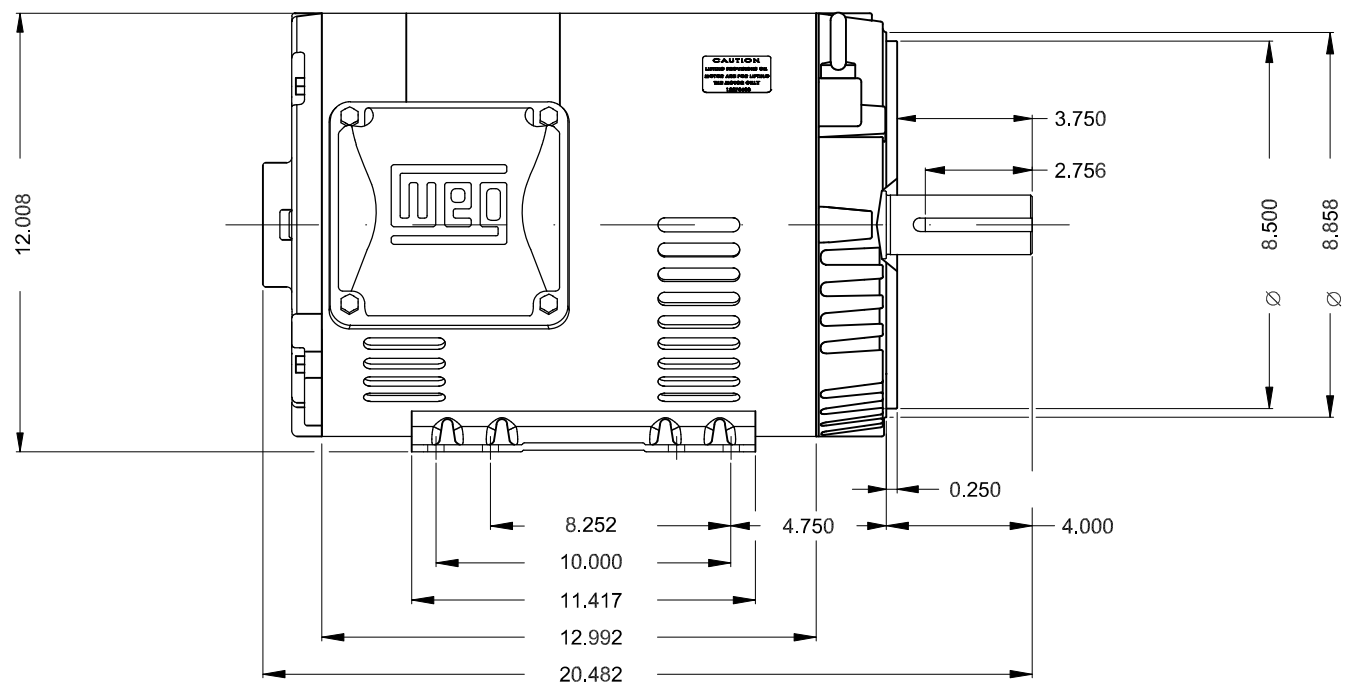
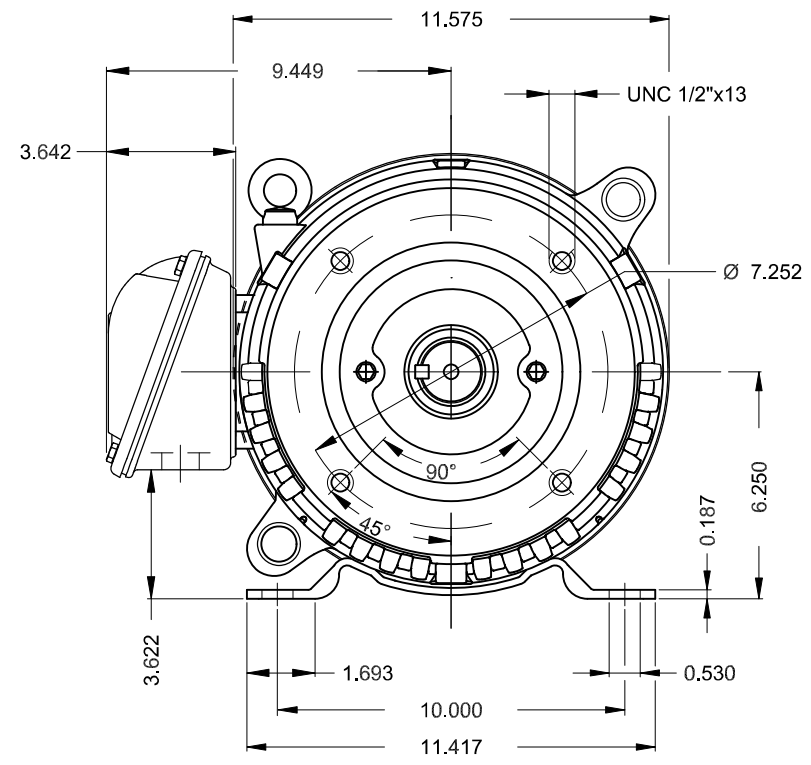
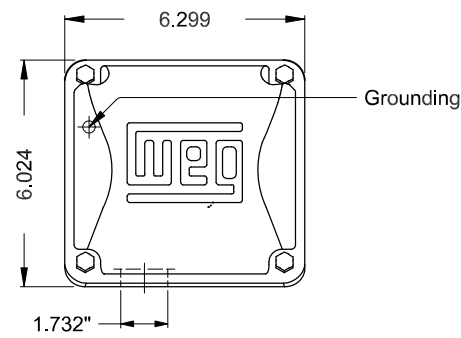


1 2 3 4 5 6

A  
B  
C  
D  
E



Color Munsell N 1 matte black											
Painting plan 207N											
Mounting B34D											
								HYBRISUSER	00		
ECM	LOC	SUMMARY OF MODIFICATIONS					EXECUTED	CHECKED	RELEASED	DATE	VER
EXECUTED	HYBRISUSER	THREE PH. MOTOR ROLLED STEEL NEMA PREM. EFF.						PREVIEW			
CHECKED		FRAME 254/6TC IP21 ODP						WDD	00		
RELEASED								SHEET	1 / 1		
REL. DATE		WMO	Jaragua do Sul	Product Engineering							

25 HP 02 Poles 60 Hz

A