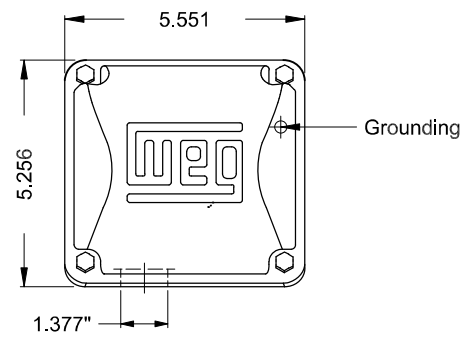
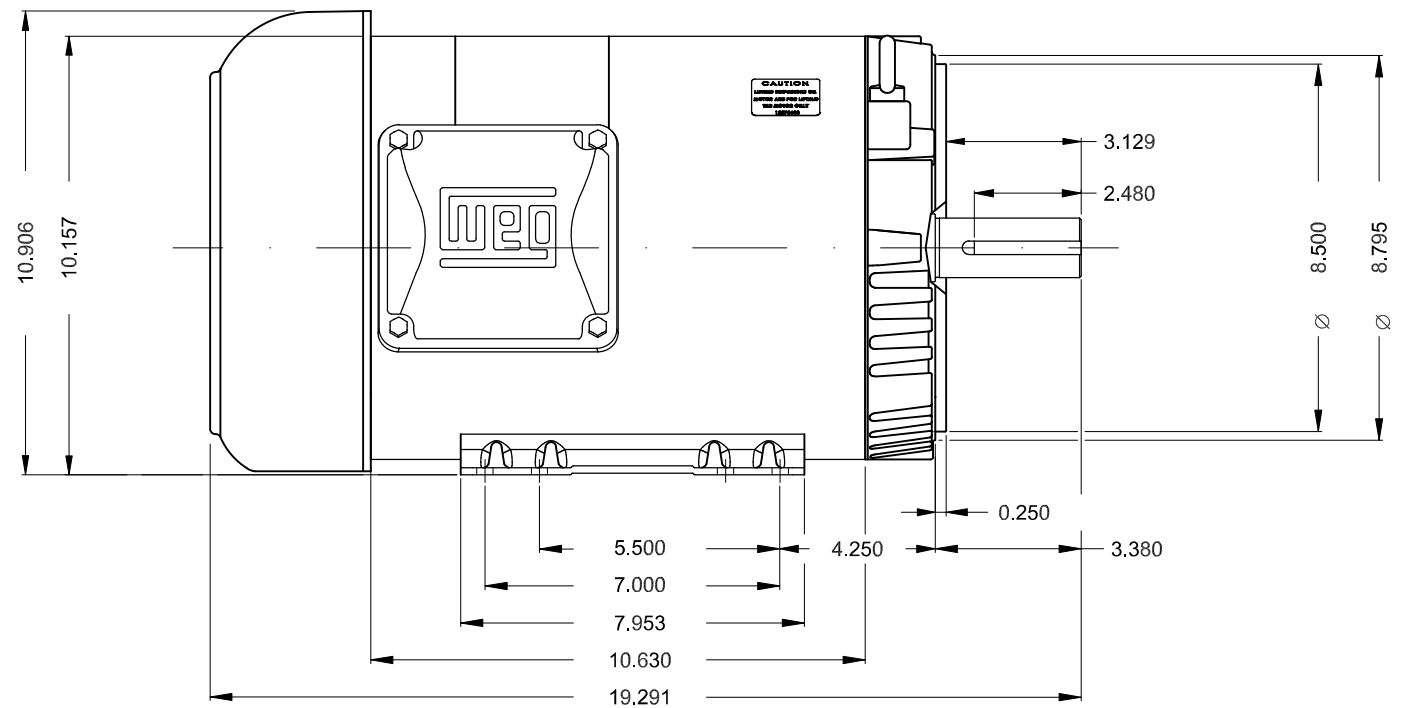
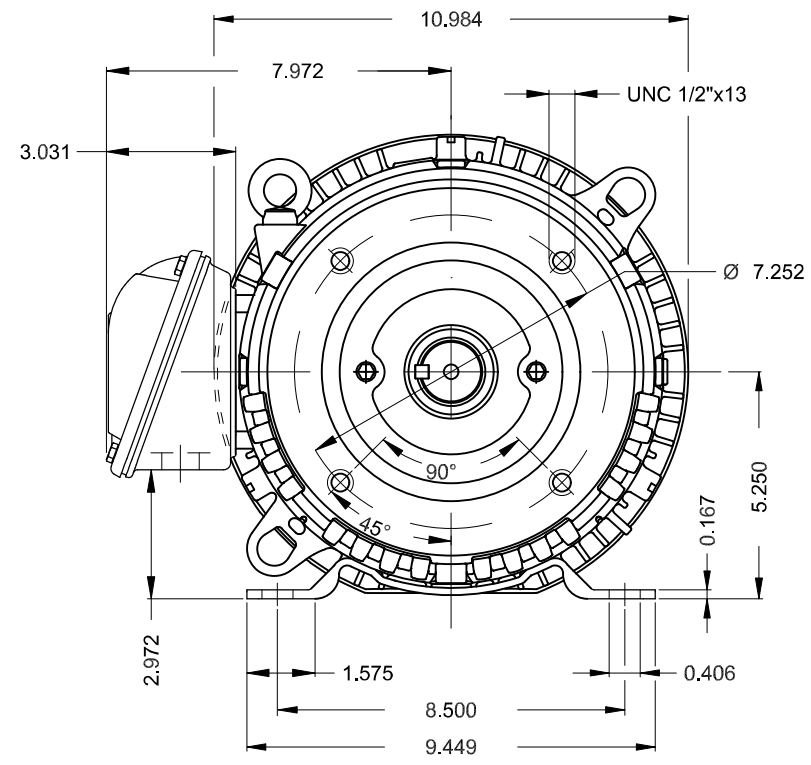


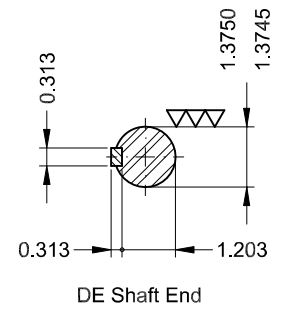
A



B



C




D

E

Color Munsell N 1 matte black
Painting plan 207N
Mounting B34D

				HYBRISUSER						00
ECM	LOC	SUMMARY OF MODIFICATIONS			EXECUTED	CHECKED	RELEASED	DATE	VER	

EXECUTED	HYBRISUSER		THREE PH. MOTOR ROLLED STEEL NEMA PREM. EFF.
CHECKED			FRAME 213/5TC IP55 TEFC
RELEASED			
REL. DATE	WMO	Jaragua do Sul	Product Engineering

PREVIEW
WDD | 00
SHEET 1 / 1



10 HP 04 Poles 60 Hz

A