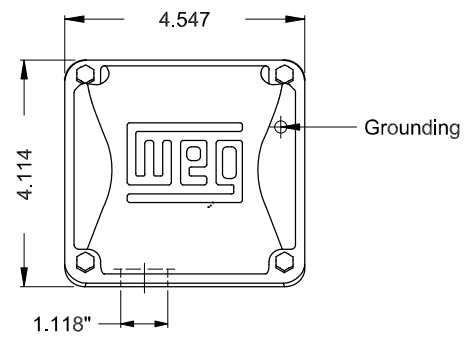
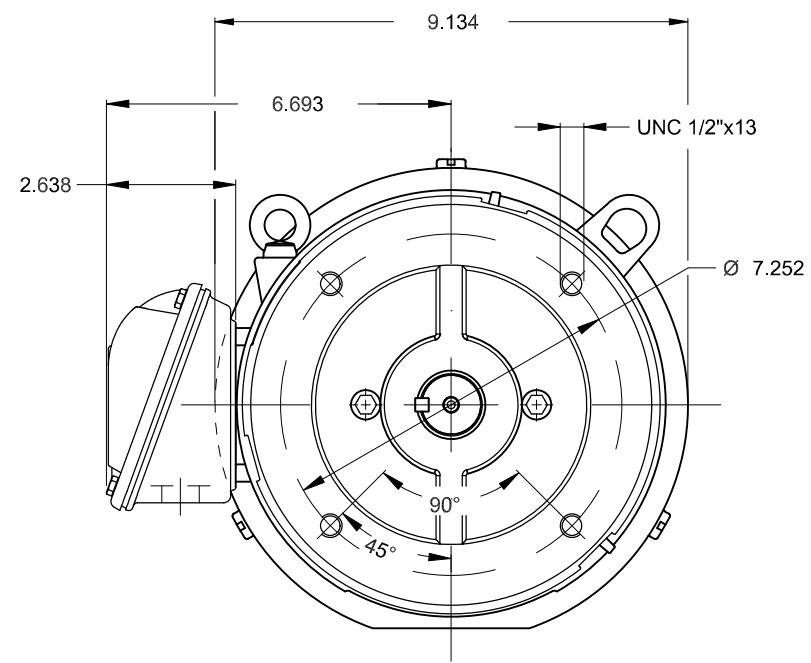


1 2 3 4 5 6

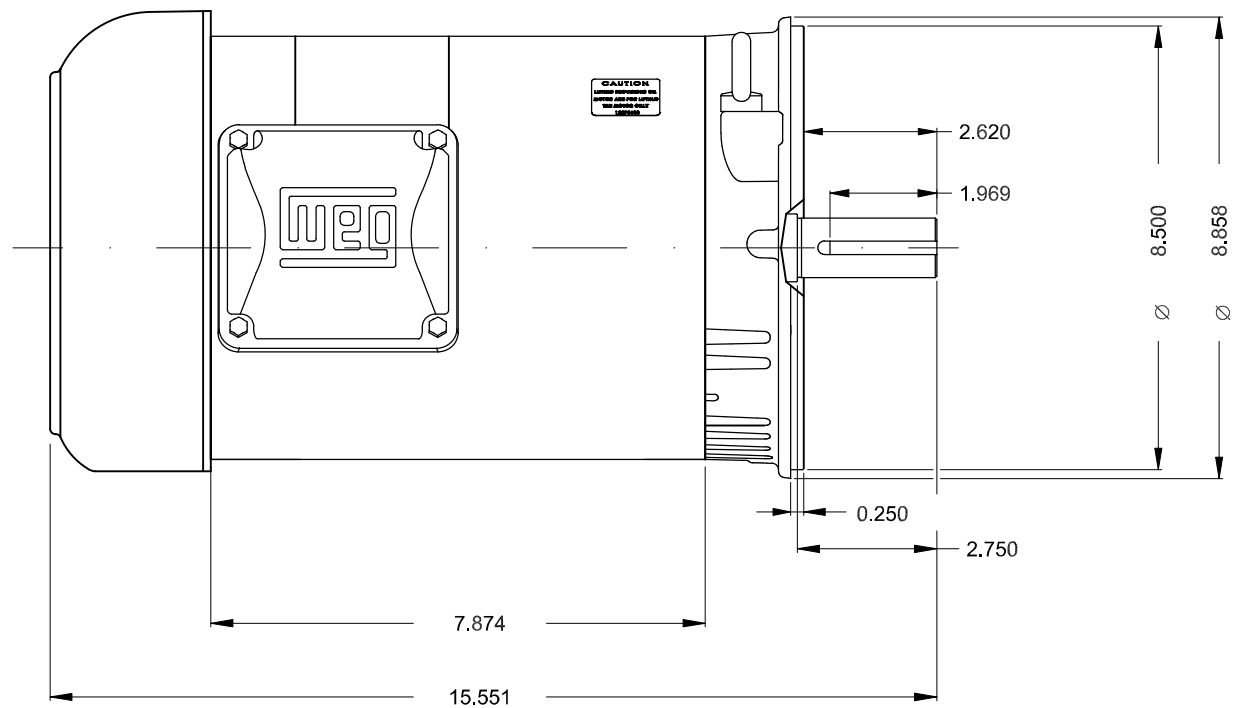
A



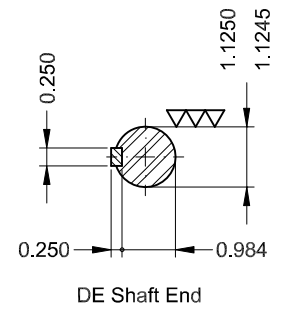
B



C



D



E

| | | | | | | | | | | | |
|-------------------------------|------------|--|----------------|--|---------------------|--|----------|---------|----------|-------|-------|
| Color Munsell N 1 matte black | | | | | | | | | | | |
| Painting plan 207N | | | | | | | | | | | |
| Mounting F-1/B14R(D) | | | | | | | | | | | |
| | | | | | | | | | | | |
| | | | | | | | | | | | |
| | | | | | | | | | | | |
| | | | | | | | | | | | |
| | | | | | | | | | | | |
| | | | | | | | | | | | |
| | | | | | | | | | | | |
| HYBRISUSER 00 | | | | | | | | | | | |
| ECM | LOC | SUMMARY OF MODIFICATIONS | | | | | EXECUTED | CHECKED | RELEASED | DATE | VER |
| EXECUTED | HYBRISUSER | THREE PH. MOTOR ROLLED STEEL NEMA PREM. EFF. | | | | | PREVIEW | WDD | 00 | SHEET | 1 / 1 |
| CHECKED | | FRAME 182/4TC IP55 TEFC | | | | | | | | | |
| RELEASED | | | | | | | | | | | |
| REL. DATE | | WMO | Jaragua do Sul | | Product Engineering | | | | | | |

3 HP 02 Poles 60 Hz

A

