

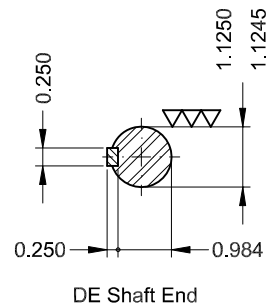
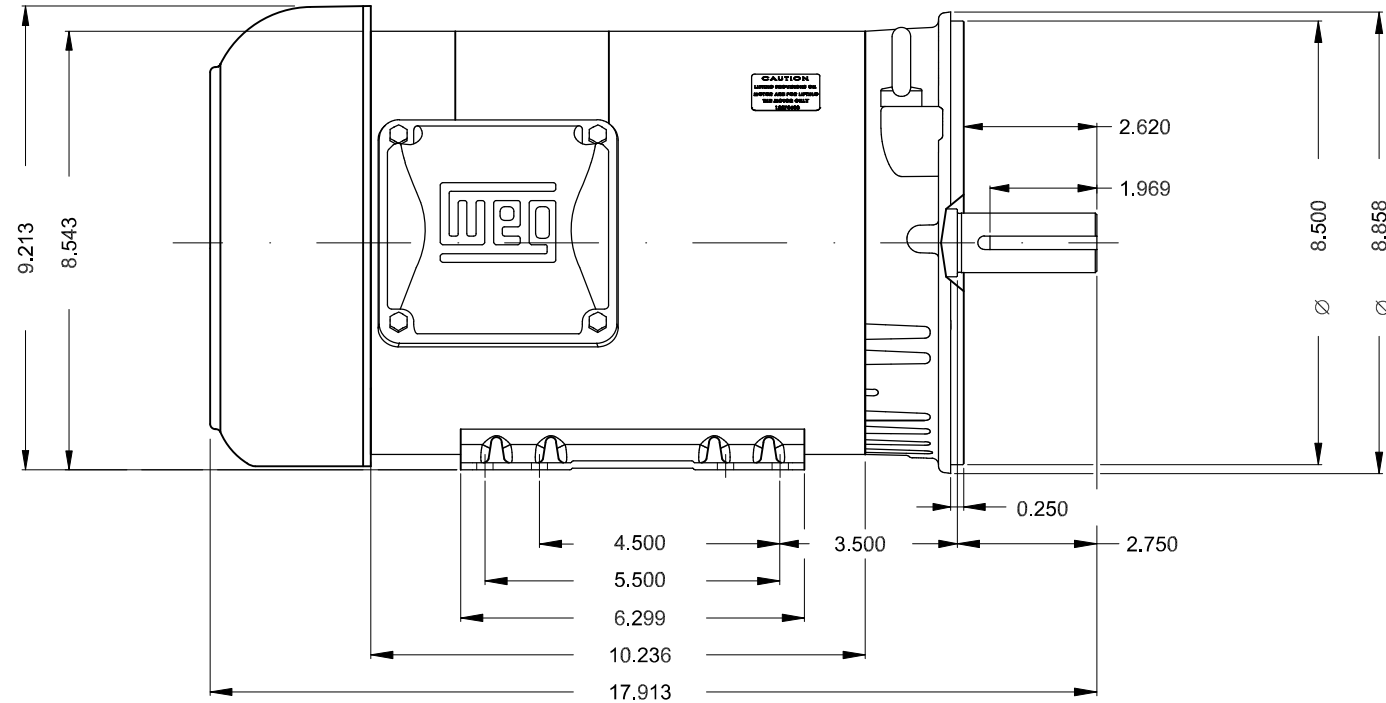
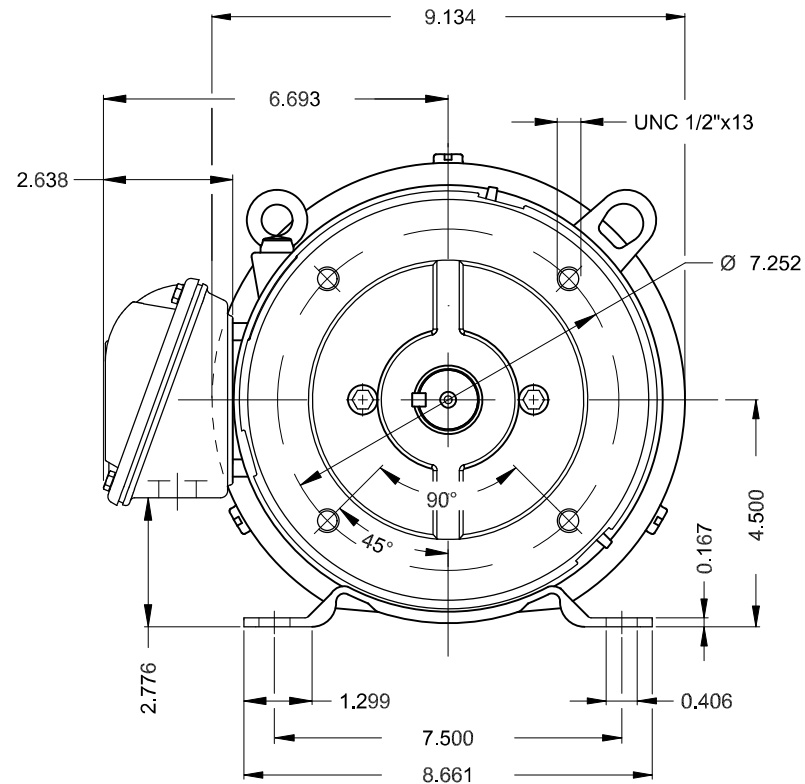
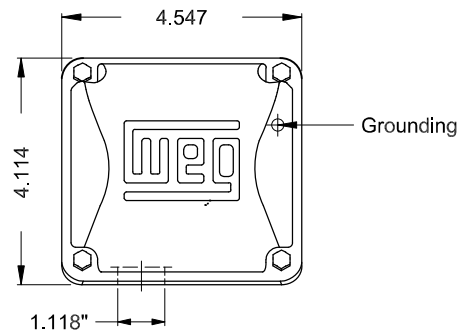
A

B

C

D

E



Dimensions in inches

Color Munsell N 1 matte black
Painting plan 207N
Mounting B34D

				HYBRISUSER						00
ECM	LOC	SUMMARY OF MODIFICATIONS			EXECUTED	CHECKED	RELEASED	DATE	VER	

EXECUTED HYBRISUSER
CHECKED
RELEASED
THREE PH. MOTOR ROLLED STEEL NEMA PREM. EFF.
FRAME 182/4TC IP55 TEFC

PREVIEW
WDD 00



3 HP 04 Poles 60 Hz

A

REL. DATE WMO Jaragua do Sul Product Engineering SHEET 1 / 1