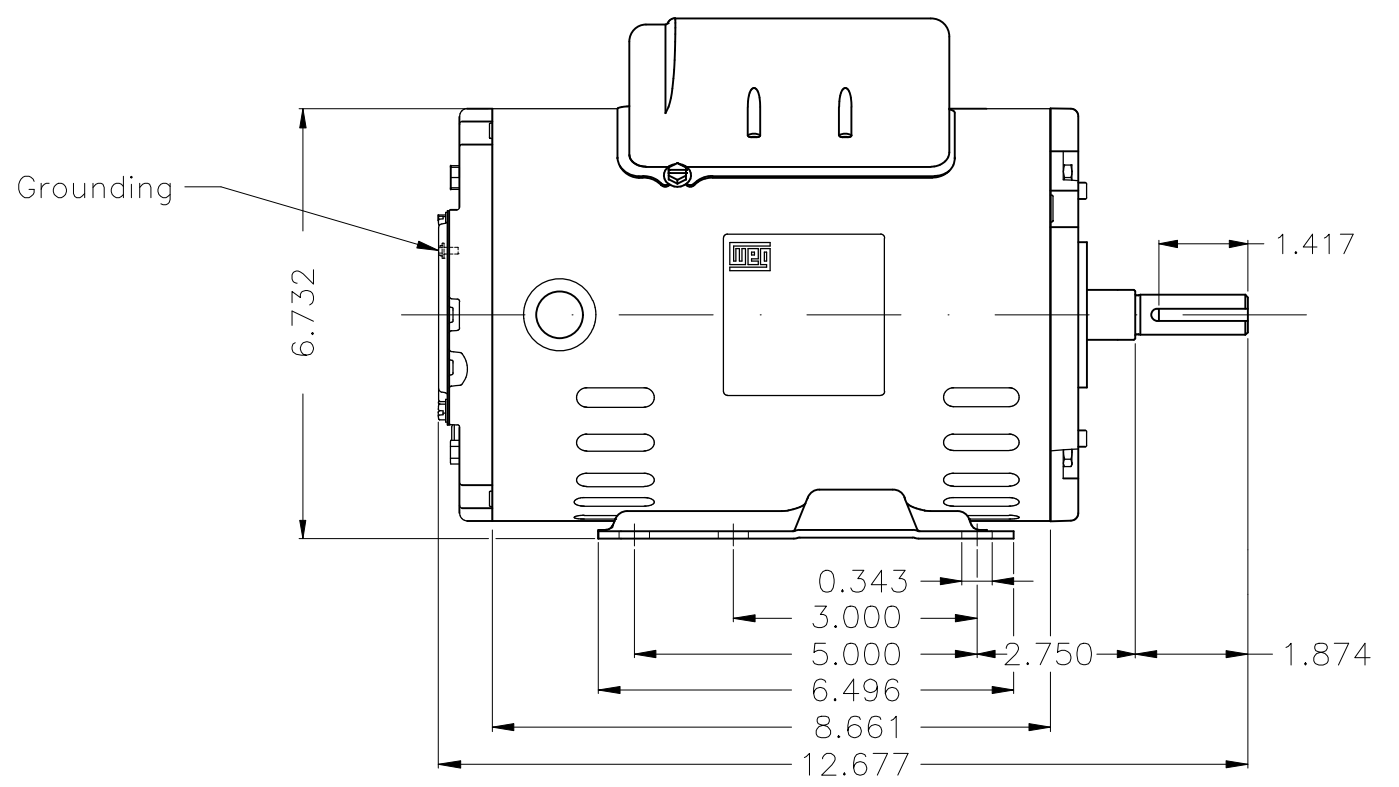
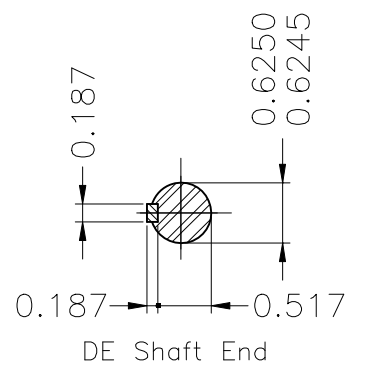
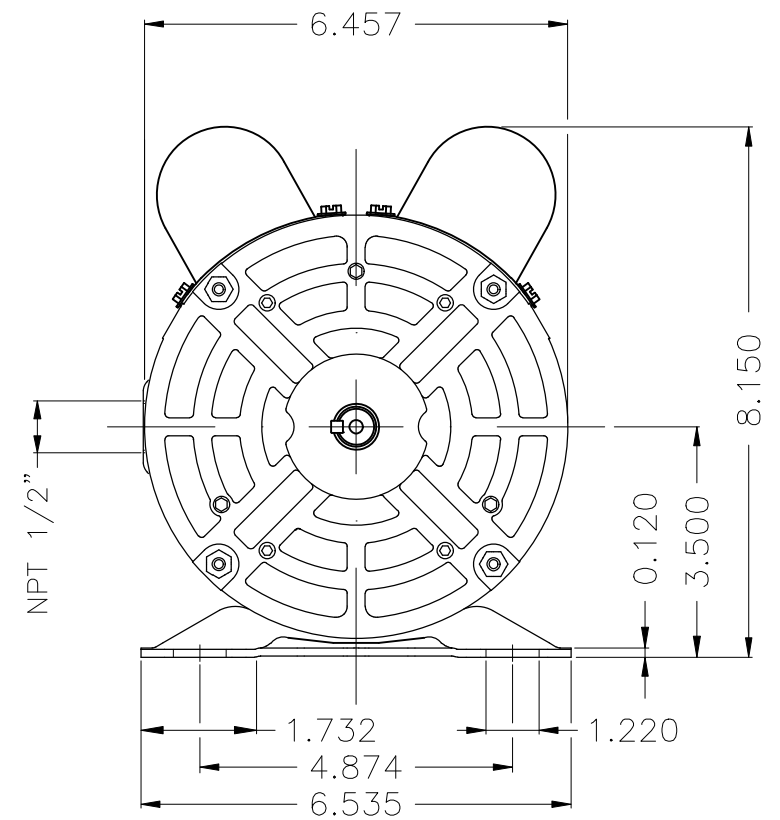


1 2 3 4 5 6

A  
B  
C  
D  
E



Grounding

Mounting F-1/B3R(D)										
ECM	LOC	SUMMARY OF MODIFICATIONS				EXECUTED	CHECKED	RELEASED	DATE	VER
EXECUTED	HYBRISUSER	SINGLE PH. MOTOR ROLLED STEEL PREM. EFF.								00
CHECKED		FRAME 56H IP21 ODP								
RELEASED										
REL. DATE		WMO	Jaragua do Sul	Product Engineering						

2 HP 02 Poles 60 Hz

A

PREVIEW  
WDD 00

