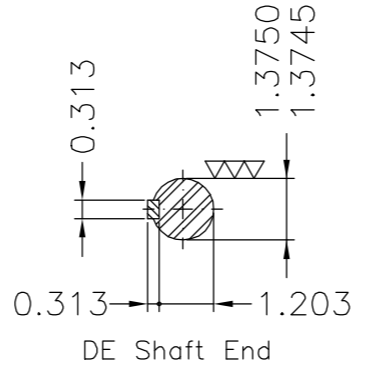
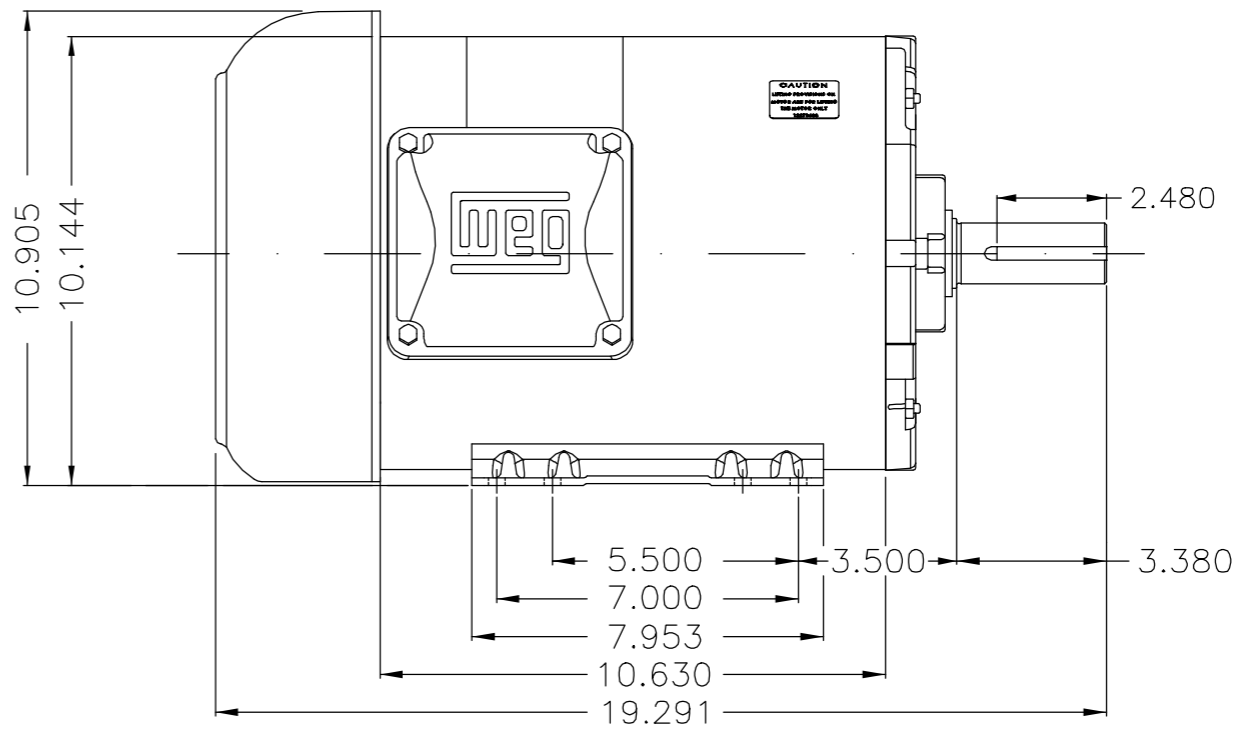
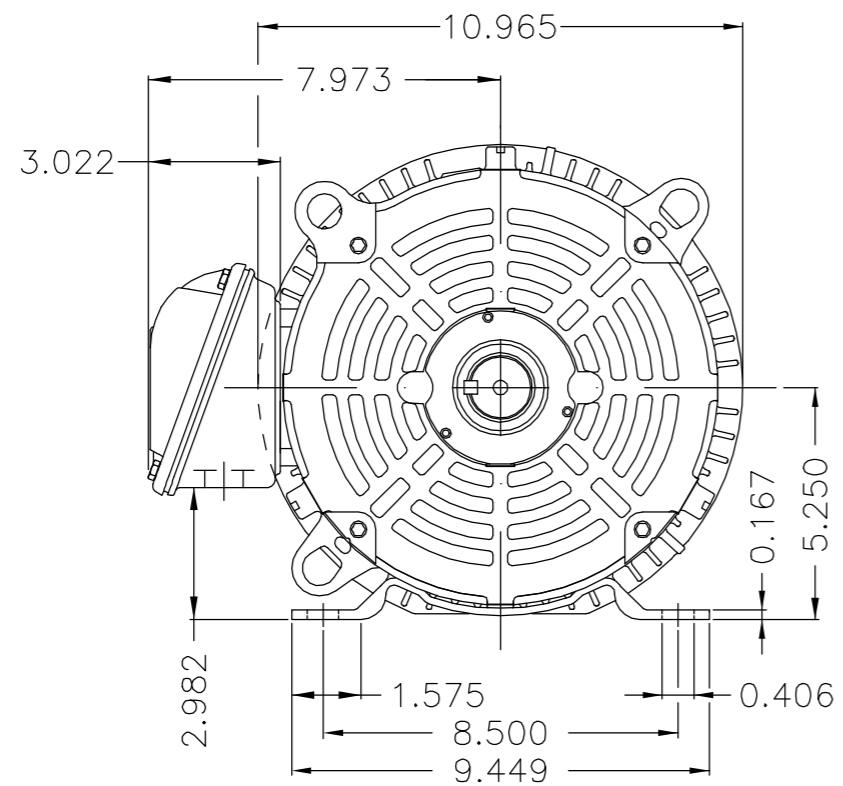
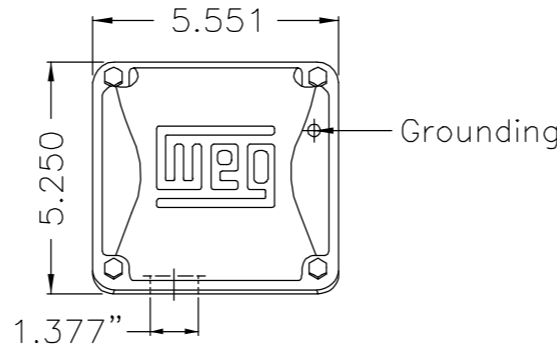


EJE/SHAFT	
ESTÁNDAR/STANDARD	X
OPCIONAL/OPTIONAL	
ESPECIAL/SPECIAL	

Dimensões em polegada
Dimensions in inches

THIS IS AN UPDATED REVISION, THE PREVIOUS ONE MUST BE DISREGARDED.



Color Munsell N 1 negro mate / Color Munsell N 1 matte black
 Plan de pintura 207N / Painting plan 207N
 Forma constructiva B3D / Mounting F-1/B3R(D)
V.J. PAMENSKY CANADA INC.

OV: 50495980

500001700547	DOCUMENTO NOVO
ECM	LOC
EXECUTED	ECHEVERRIA
CHECKED	PIRWUSER
RELEASED	PIRWUSER

SUMMARY OF MODIFICATIONS		EXECUTED	CHECKED	RELEASED	DATE	VER
THREE P. MOTOR CLOS ROLLED STEEL NEMA PREM						
FRAME 213/5T IP55 TEFC						
REL DT	18.12.2019	WMX	Huehuetoca	Product Engineering	SHEET	1 / 1

10 HP 04 Poles 60Hz

A



UNCONTROLLED COPY RELEASED ZME A3