

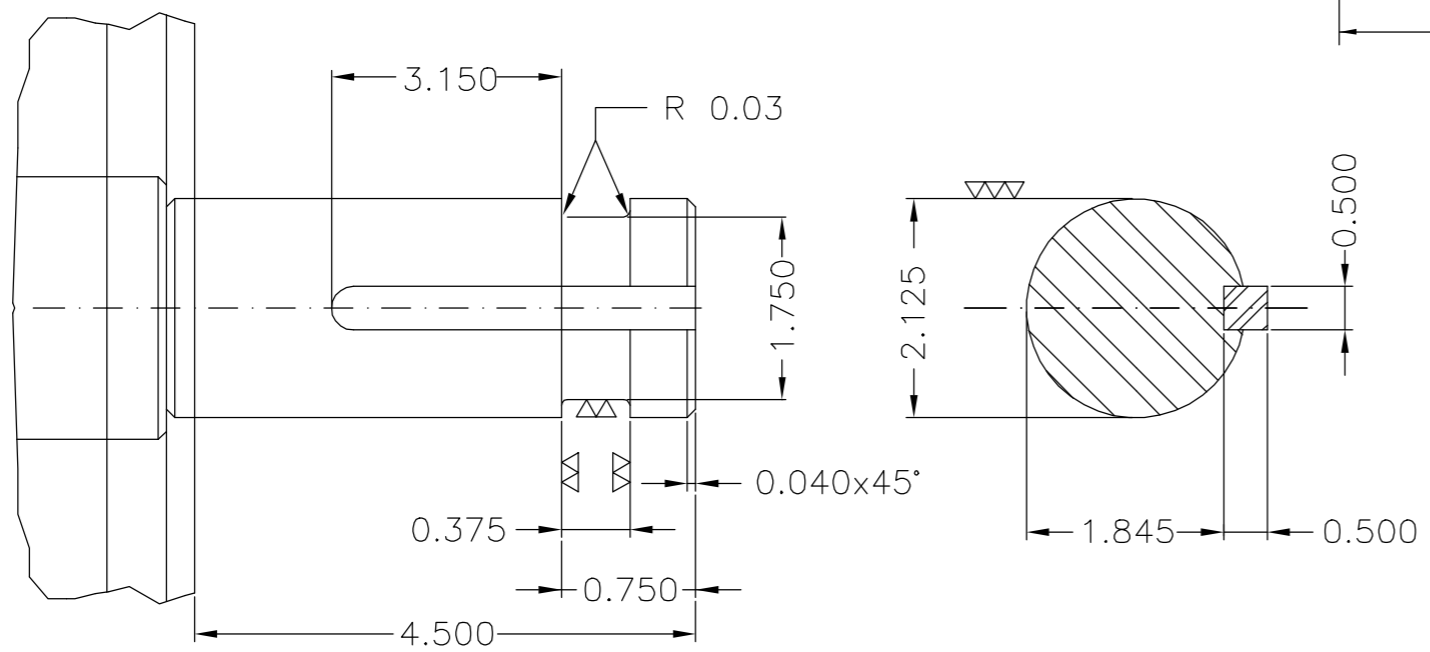
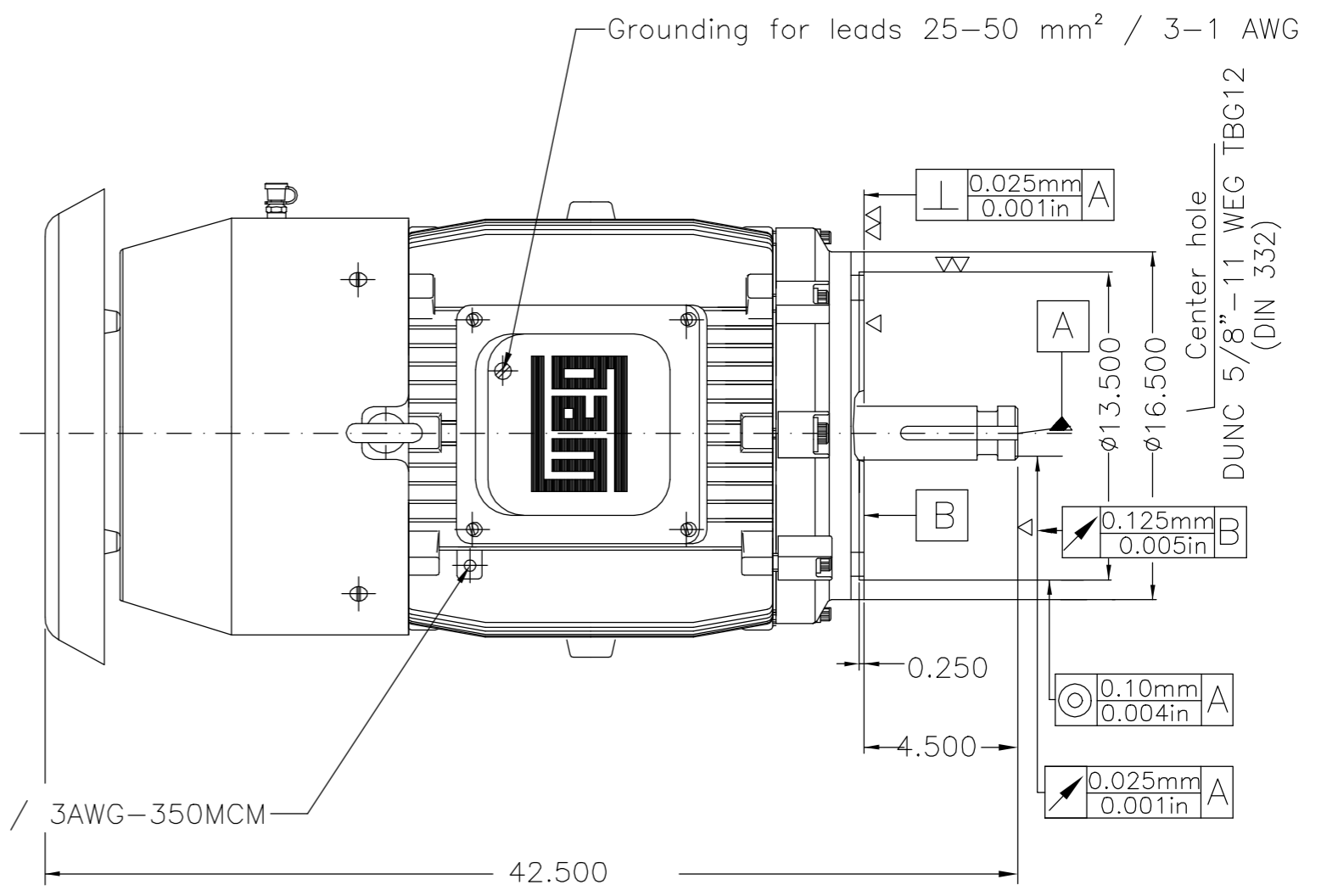
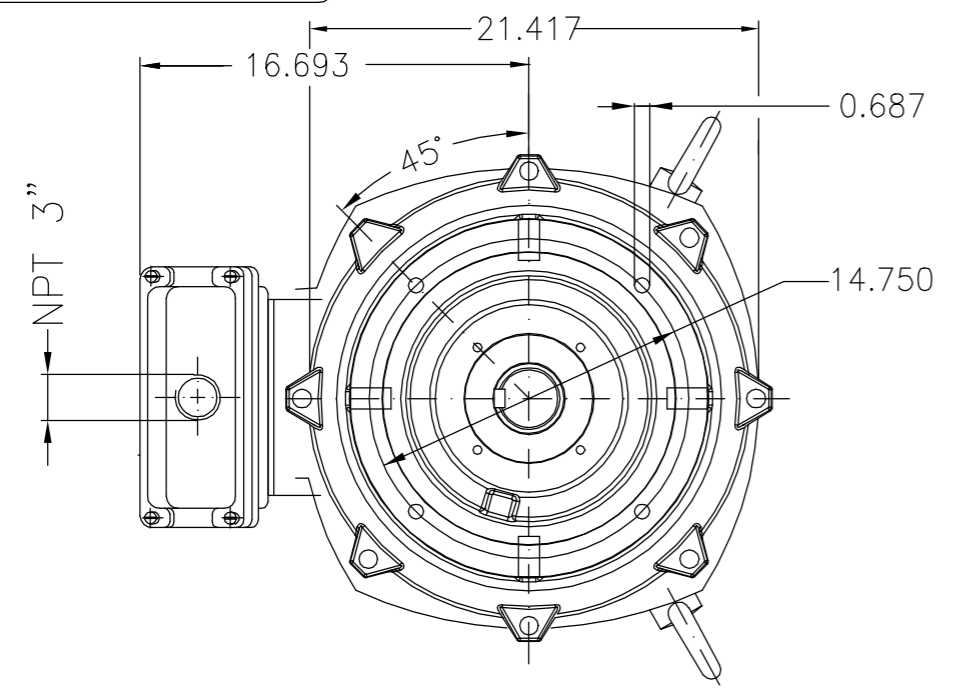
EIXO/SHAFT	
PADRÃO/STANDARD	
OPCIONAL/OPTIONAL	
ESPECIAL/SPECIAL	X

Dimensões em polegada
Dimensions in inches

CERTIFIED WEG MOTORES
Certified document.
Not subject to changes.

THIS IS AN UPDATED REVISION, THE PREVIOUS ONE MUST BE DISREGARDED.

ATENÇÃO/ATTENTION
MOTOR DEVE SER LIGADO APENAS NA POSIÇÃO VERTICAL.
MOTOR MUST BE ENERGIZED ONLY IN THE VERTICAL POSITION



Categoria A / Design A						
Cor RAL 5009 / Color RAL 5009						
Plano de pintura 203A / Painting plan 203A						
Fator de serviço 1.15 / Service factor 1.15						
Forma construtiva NEMA W-6 / Mounting NEMA W-6						
Forma construtiva V1 / Mounting V1						
V.J. PAMENSKY CANADA INC.						

500001594952		ALTERADO CONF. CLAIM 415204042	RICLAV	DALTONR	DALTONR	24.05.2019	01
500001592859		DOCUMENTO NOVO	CLEITONGS	FERNANDOLUIS	FERNANDOLUIS	07.05.2019	00
ECM	LOC	RESUMO MODIFICAÇÃO	EXECUTADO	VERIFICADO	LIBERADO	DATA	VER
ECM	LOC	SUMMARY OF MODIFICATIONS	EXECUTED	CHECKED	RELEASED	DATE	VER
EXEC. /EXECUTED	CLEITONGS	THREE-PHASE IN LINE EXTRA THRUST MOTOR FRAME 404/5LP IP55 TEFC	10006592388				
VERIF. /CHECKED	FERNANDOLUIS		000	01			
LIBER. /RELEASED	FERNANDOLUIS						
DATA LB /REL DT	07.05.2019	WMO	Jaragua do Sul	Product Engineering	FOLHA/SHEET	1 / 1	

100 HP 04 Poles 60Hz 415447013/1 ELE

UNCONTROLLED COPY RELEASED ZME A3