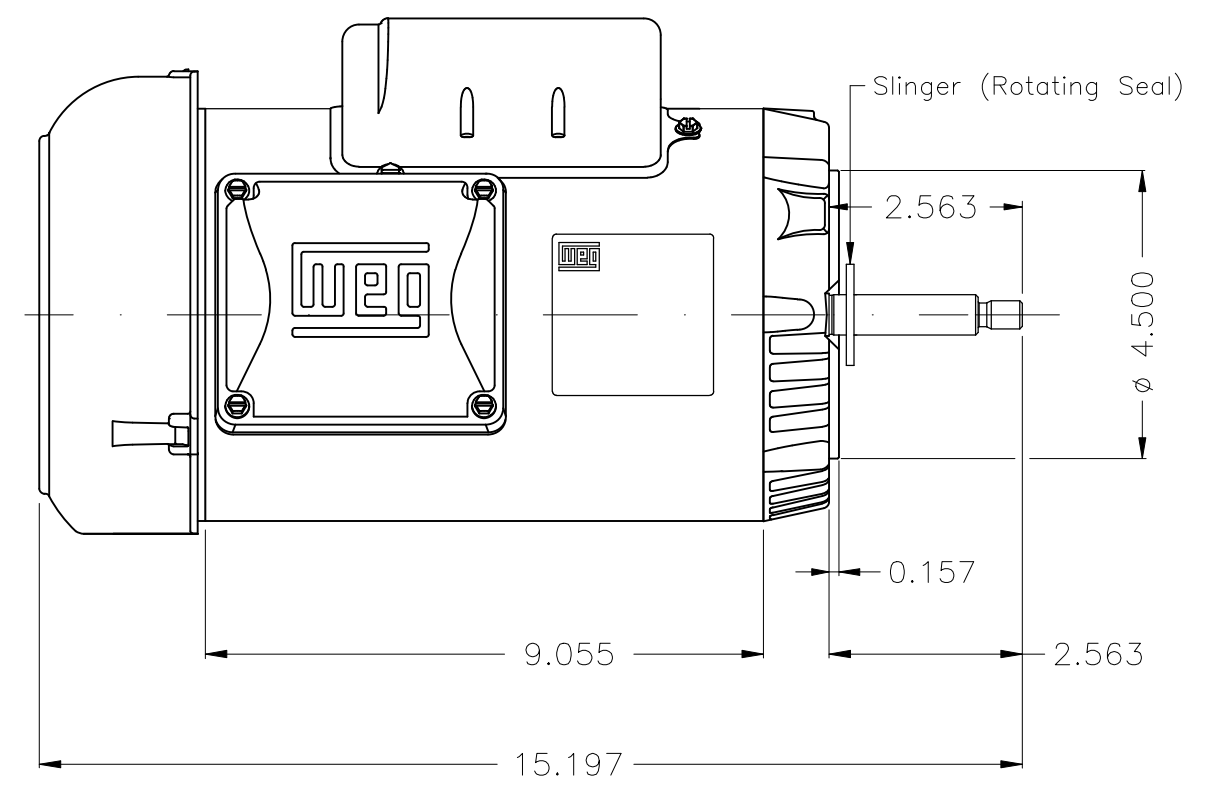
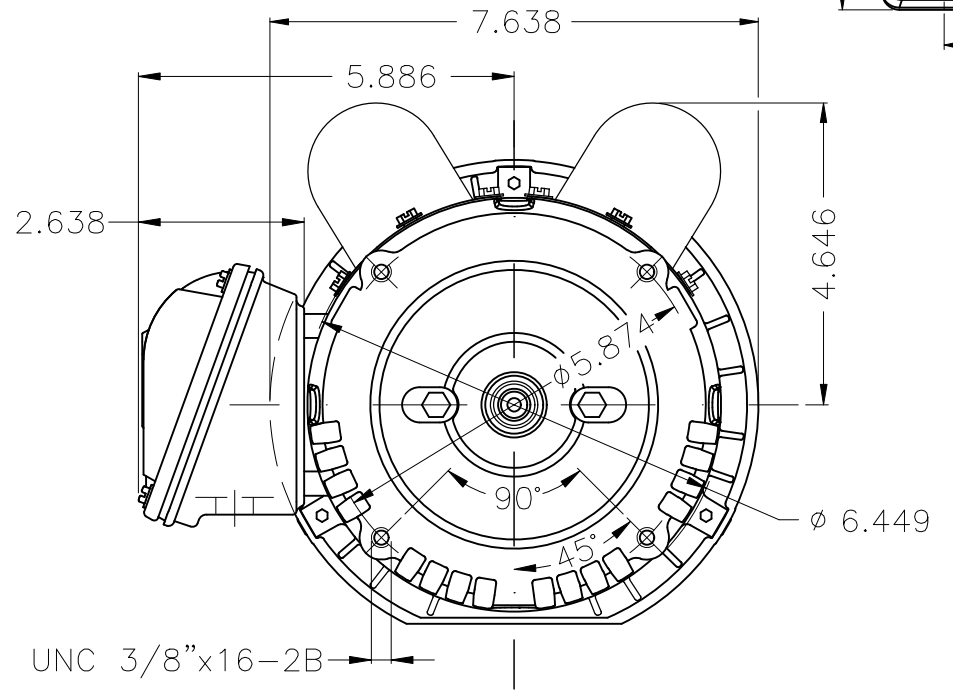
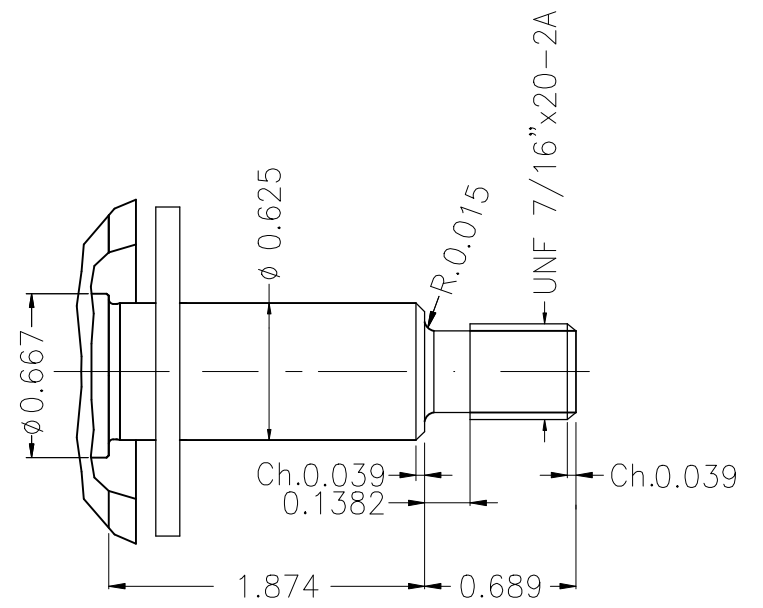


Grounding



Slinger (Rotating Seal)



Color Munsell N 1 matte black
 Painting plan 207N
 Mounting F-1/B14R(D)

ECM		LOC		SUMMARY OF MODIFICATIONS		HYBRISUSER		00		
EXECUTED	HYBRISUSER	SINGLE PH. MOTOR ROLLED STEEL JET PUMP THREADED PREFFER				EXECUTED	CHECKED	RELEASED	DATE	VER
CHECKED		FRAME 56J IP55 TEFC				PREVIEW				
RELEASED						WDD		00		
REL. DATE		WMO	Jaragua do Sul	Product Engineering	SHEET		1 / 1			

2 HP 02 Poles 60 Hz

A

