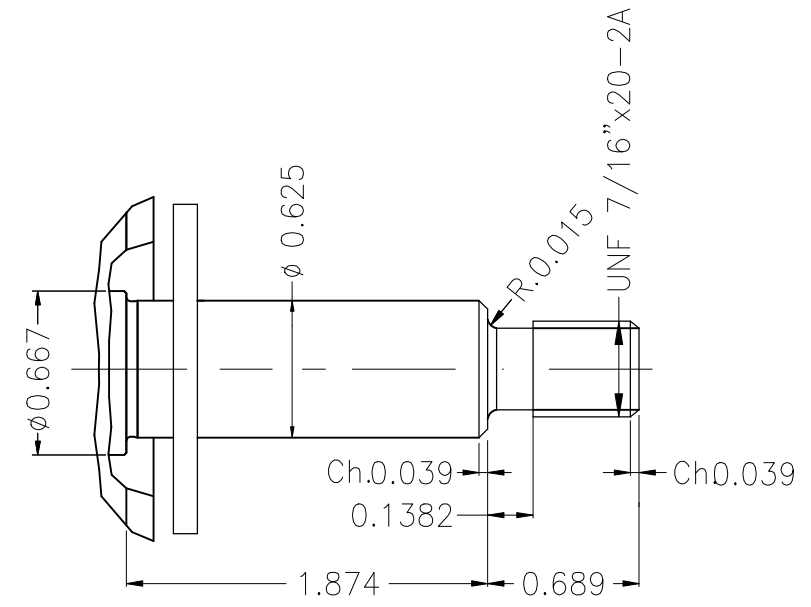
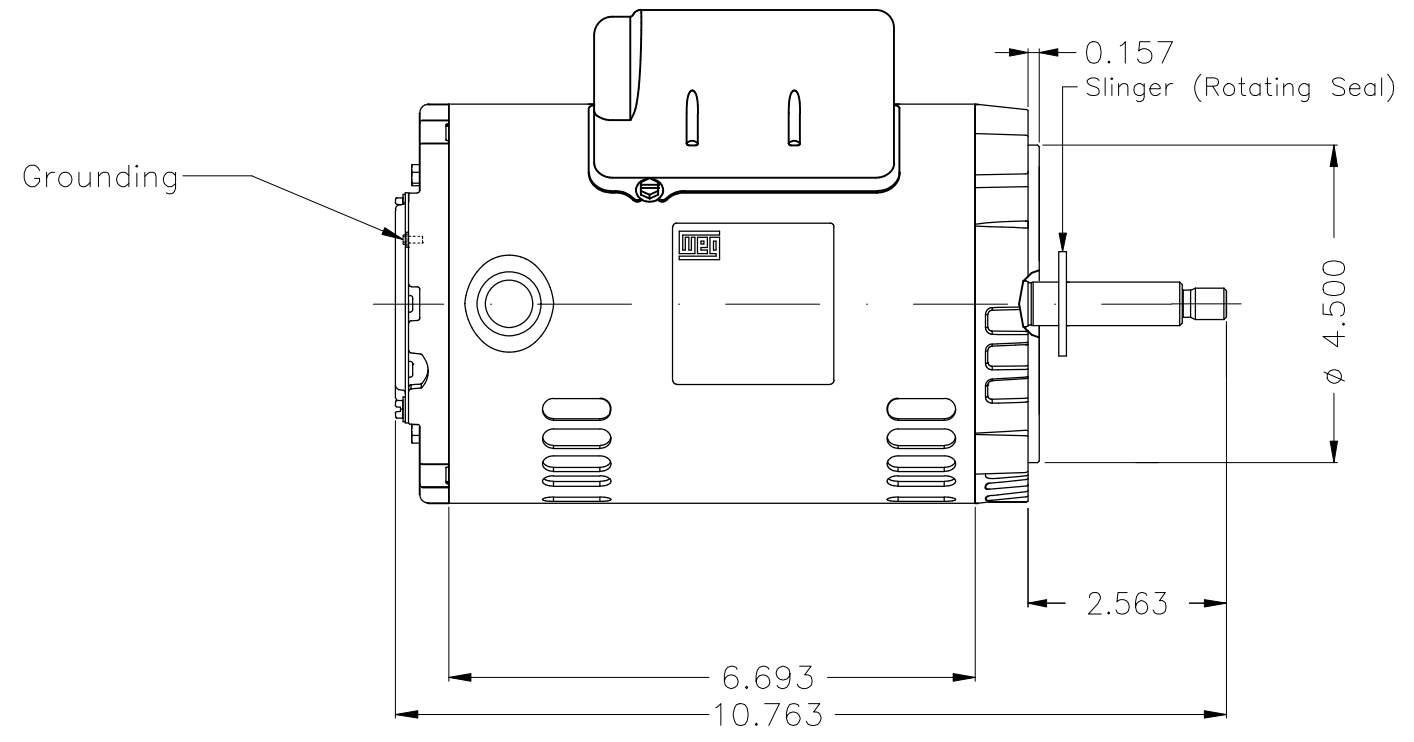
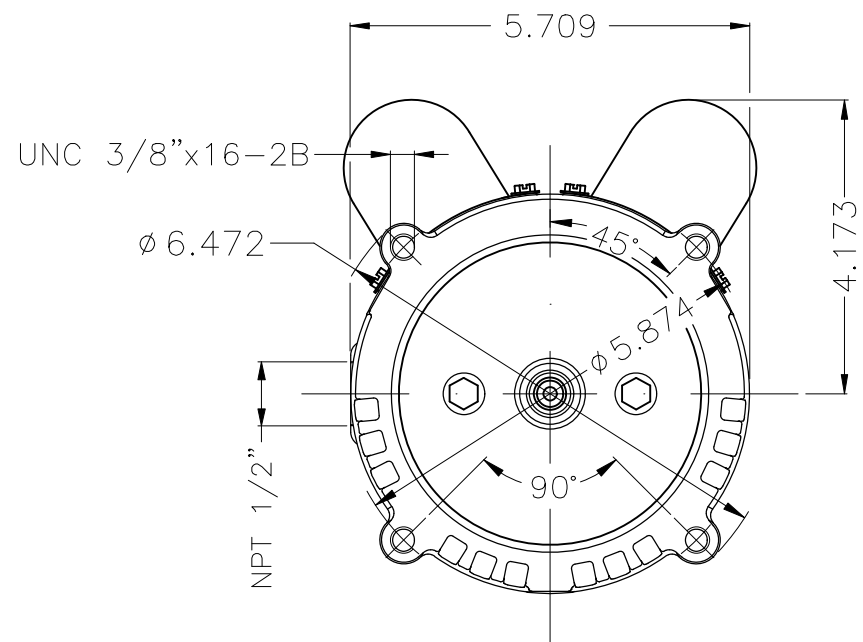


1 2 3 4 5 6

A  
B  
C  
D  
E



Color Munsell N 1 matte black  
 Painting plan 207N  
 Mounting F-1/B14R(D)

ECM	LOC	SUMMARY OF MODIFICATIONS	EXECUTED	CHECKED	RELEASED	DATE	VER

EXECUTED	HYBRISUSER		SINGLE PH. MOTOR ROLLED STEEL JET PUMP THREADED PRE FEET FRAME W56J IP21 ODP	WDD   00	
CHECKED				SHEET 1 / 1	
RELEASED				WEG	

0.33 HP 02 Poles 60 Hz

REL. DATE WMO Jaragua do Sul Product Engineering

Dimensions in inches XME A3