

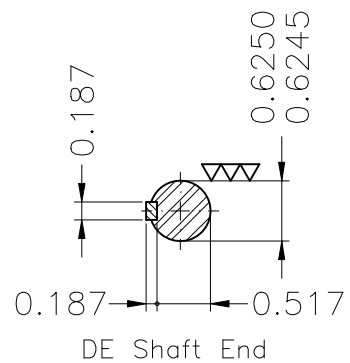
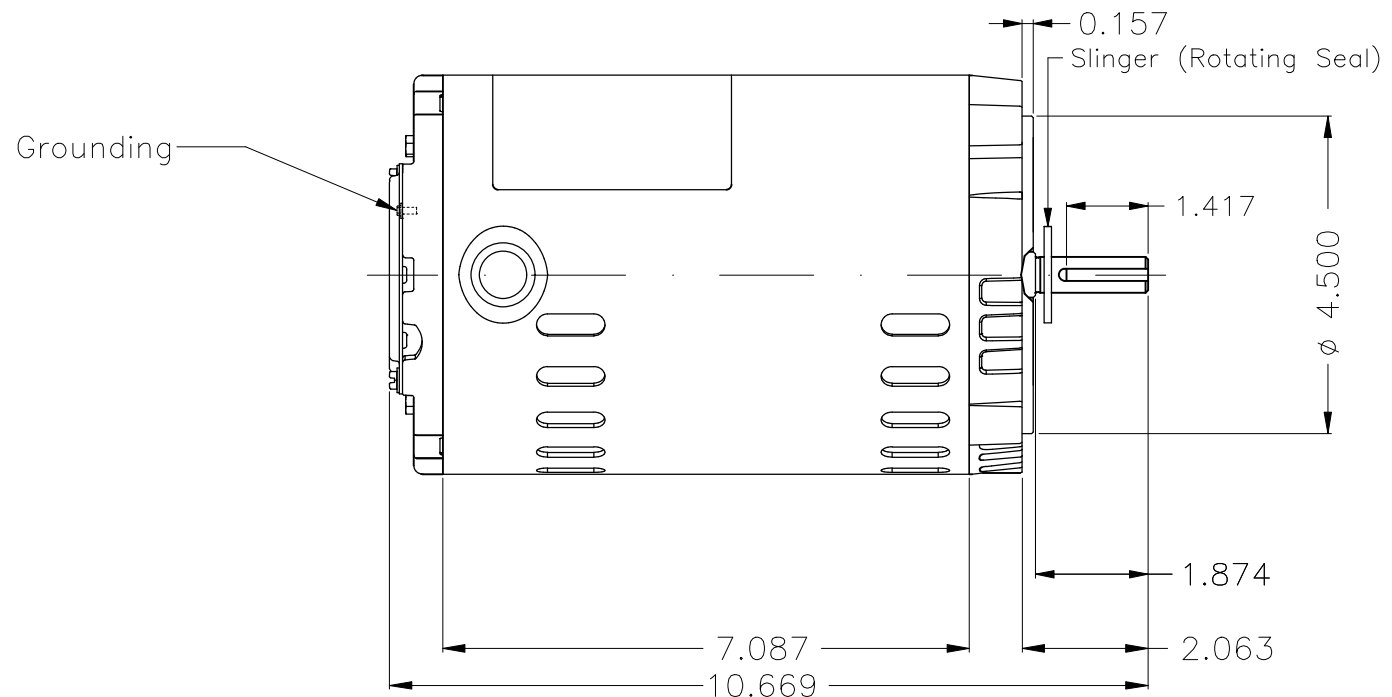
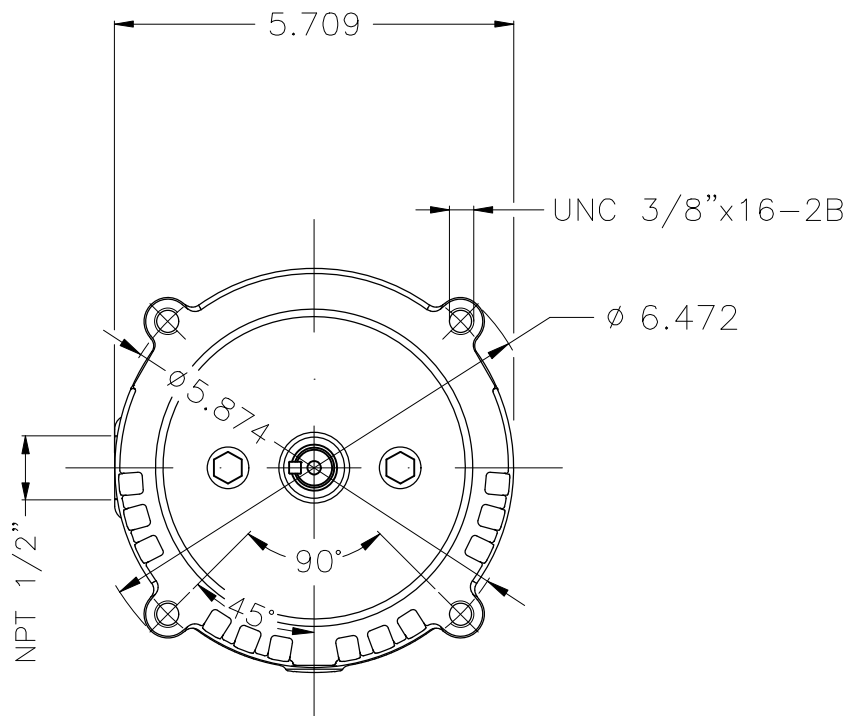
A

B

C

D

E



Color Munsell N 1 matte black											
Painting plan 207N											
Mounting F-1/B14R(D)											
HYBRISUSER								00			
ECM	LOC	SUMMARY OF MODIFICATIONS					EXECUTED	CHECKED	RELEASED	DATE	VER
EXECUTED	HYBRISUSER	THREE PH. MOTOR ROLLED STEEL JET PUMP KEYED PREM. EFF. FRAME W56C IP21 ODP					EXECUTED	CHECKED	RELEASED	DATE	VER
CHECKED											
RELEASED											
REL. DATE		WMO	Jaragua do Sul	Product Engineering							

1 HP 02 Poles 60 Hz

A

