

1 2 3 4 5 6

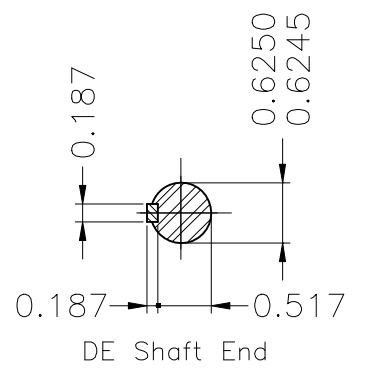
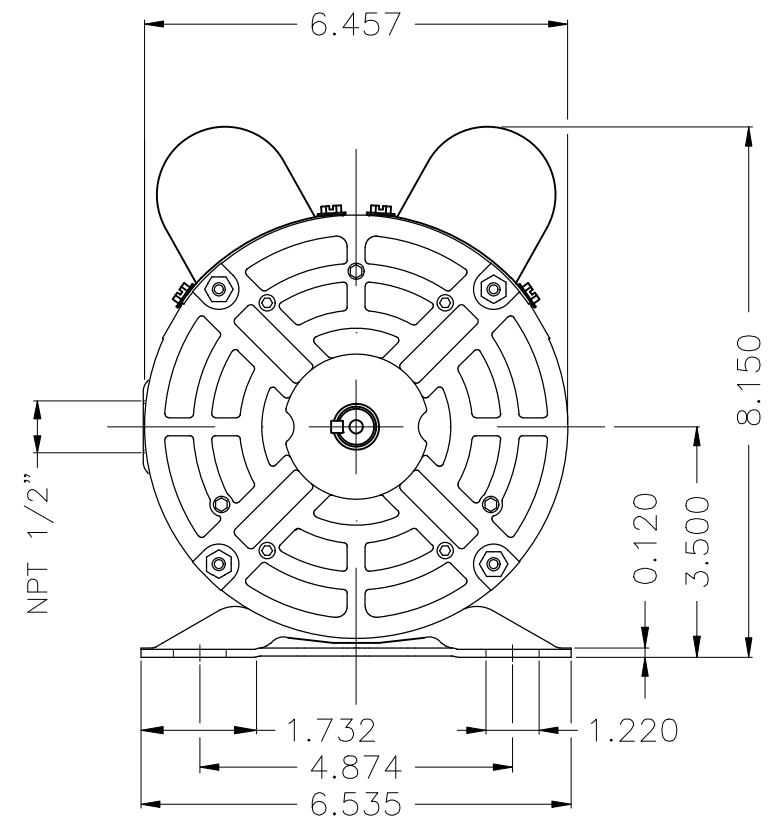
A

B

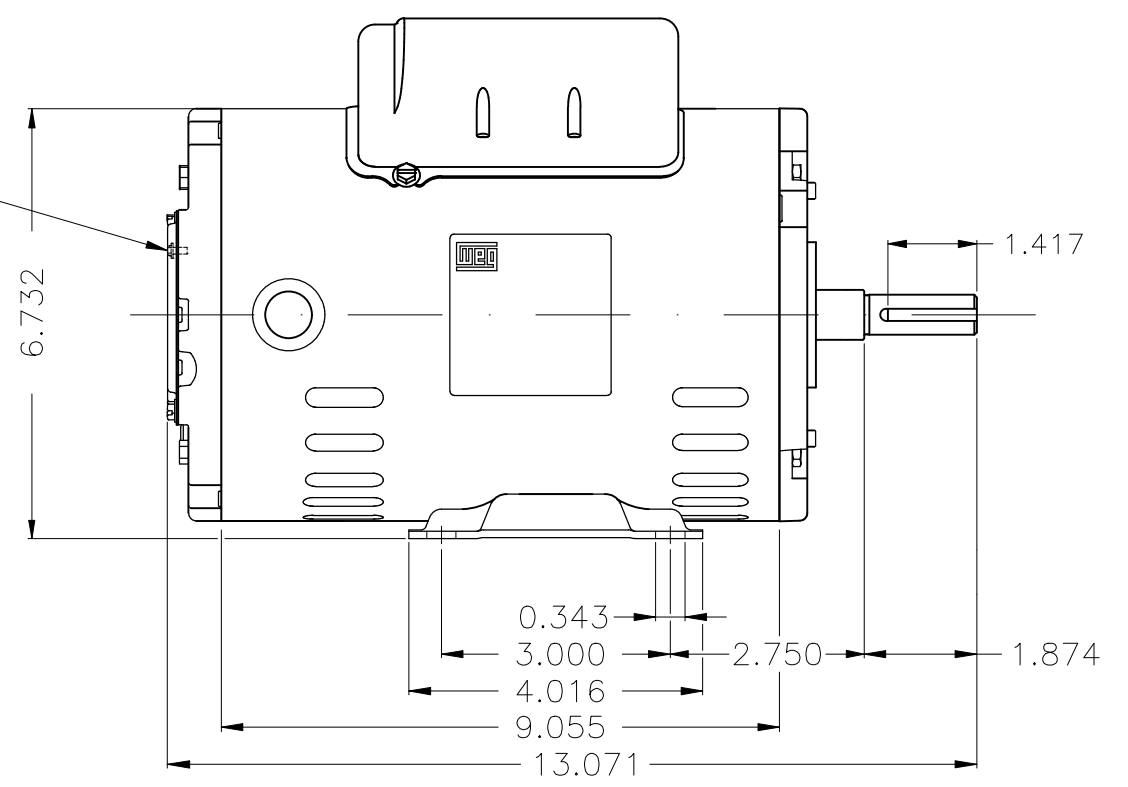
C

D

E



Grounding



Color RAL 7022									
Painting plan 207N									
Mounting F-1/B3R(D)									
					HYBRISUSER	00			
ECM	LOC	SUMMARY OF MODIFICATIONS			EXECUTED	CHECKED	RELEASED	DATE	VER
EXECUTED	HYBRISUSER	SINGLE PH. MOTOR ROLLED STEEL				PREVIEW			
CHECKED		FRAME 56 IP21 ODP				WDD	00		
RELEASED						SHEET	1 / 1		
REL. DATE		WMO	Jaragua do Sul	Product Engineering					

1.5 HP 04 Poles 60 Hz

A