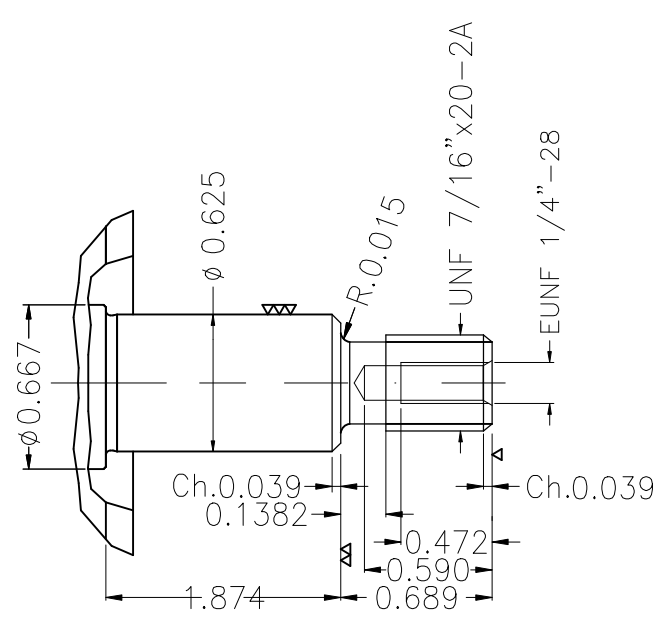
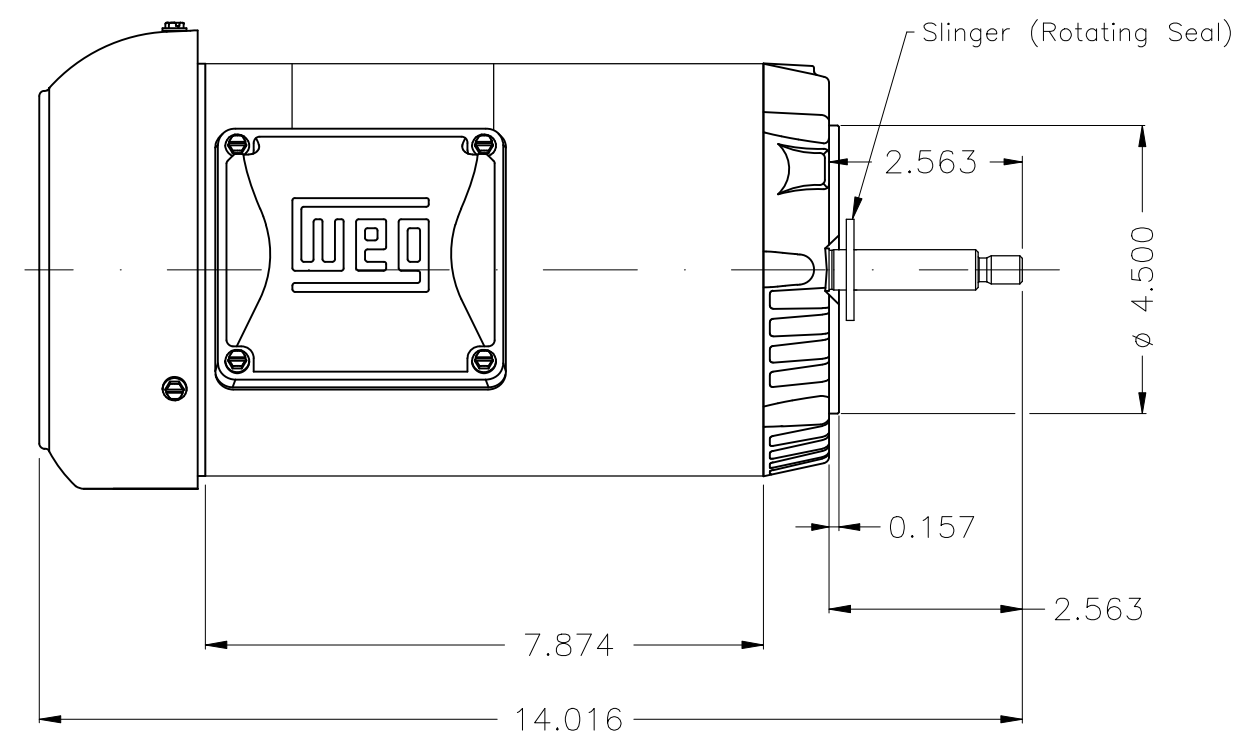
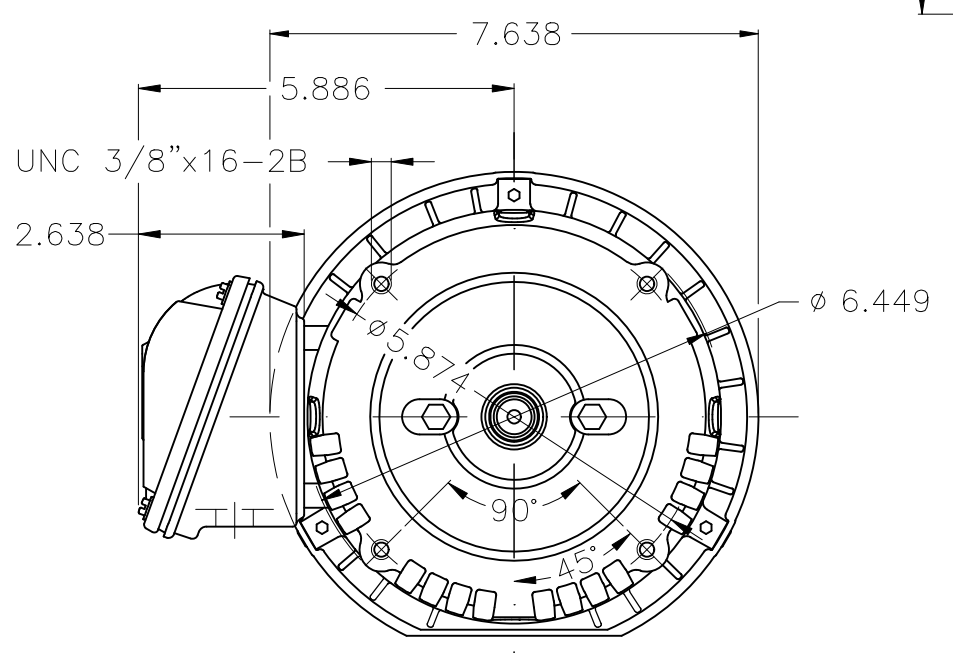
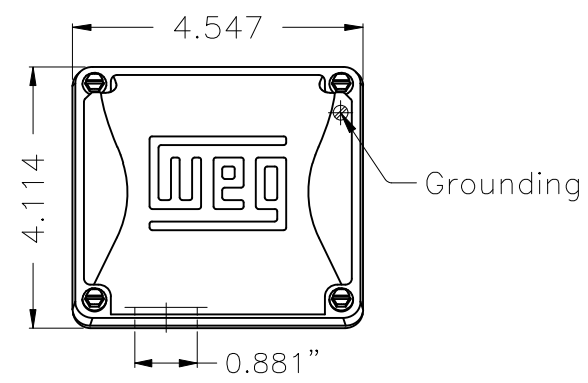


1 2 3 4 5 6

A
B
C
D
E



Fan cover - steel plate
Color Munsell N 1 matte black
Painting plan 207N
Mounting F-1/B14R(D)

| | | | | | | | | | | | | | | | |
|-----------|------------|--|----------------|---------------------|--|------------|---------|----------|------|-----|--|--|--|----|--|
| | | | | | | HYBRISUSER | | | | | | | | 00 | |
| ECM | LOC | SUMMARY OF MODIFICATIONS | | | | EXECUTED | CHECKED | RELEASED | DATE | VER | | | | | |
| EXECUTED | HYBRISUSER | THREE PH. MOTOR ROLLED STEEL JET PUMP THREADED PREL. SET | | | | | | | | | | | | | |
| CHECKED | | FRAME 56J IP55 TEFC | | | | | | | | | | | | | |
| RELEASED | | | | | | | | | | | | | | | |
| REL. DATE | | WMO | Jaragua do Sul | Product Engineering | | | | | | | | | | | |

1 HP 04 Poles 60 Hz

A
WDD 00
SHEET 1 / 1

