

1 2 3 4 5 6

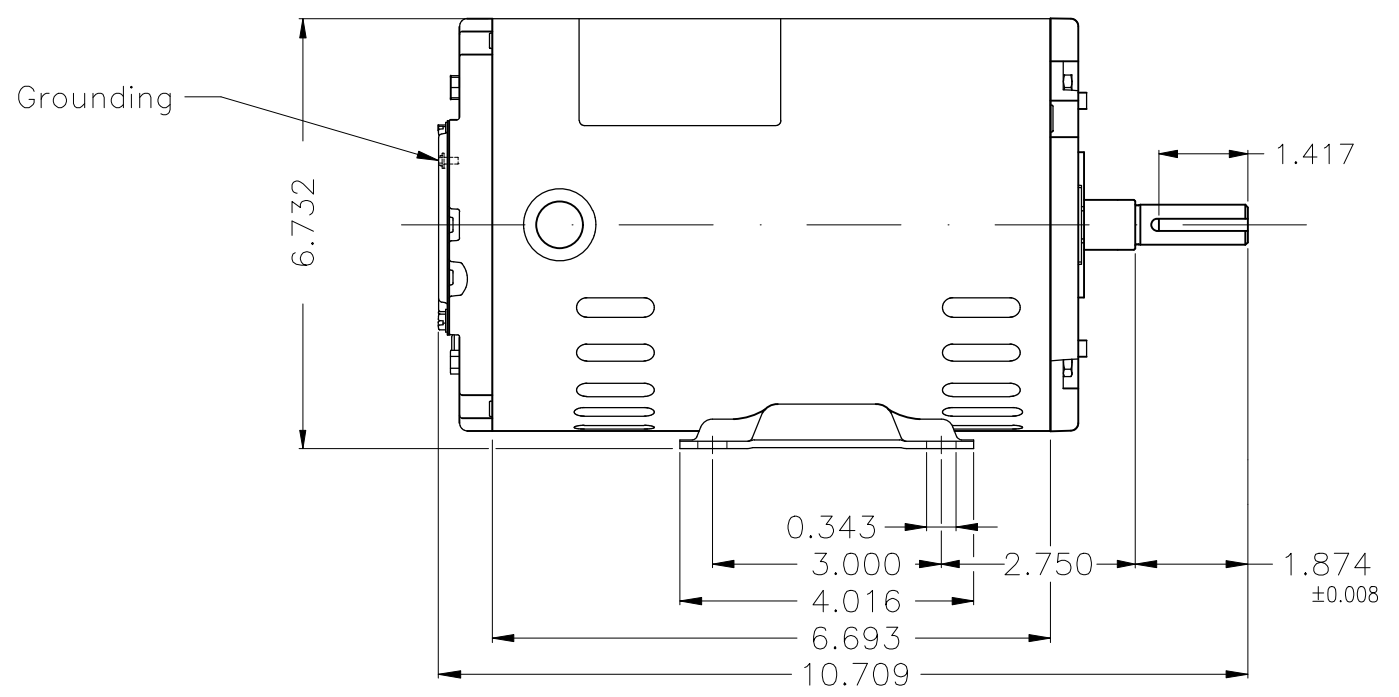
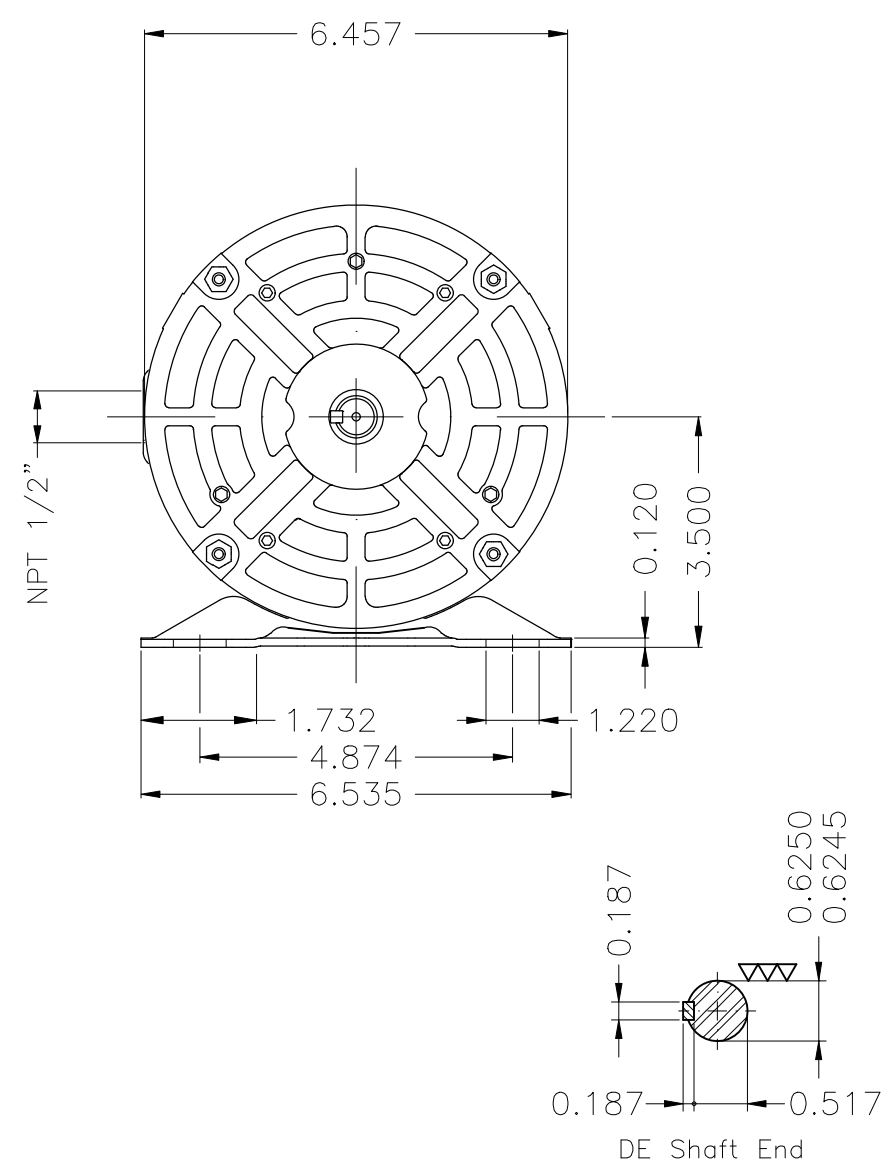
A

B

C

D

E



Color Munsell N 1 matte black									
Painting plan 207N									
Mounting F-1/B3R(D)									
					HYBRISUSER	00			
ECM	LOC	SUMMARY OF MODIFICATIONS			EXECUTED	CHECKED	RELEASED	DATE	VER
EXECUTED	HYBRISUSER	THREE PH. MOTOR ROLLED STEEL PREM. EFF.				PREVIEW			WDD 00 SHEET 1 / 1
CHECKED		FRAME 56 IP21 ODP							
RELEASED									
REL. DATE		WMO	Jaragua do Sul	Product Engineering					

0.5 HP 04 Poles 60 Hz

A