

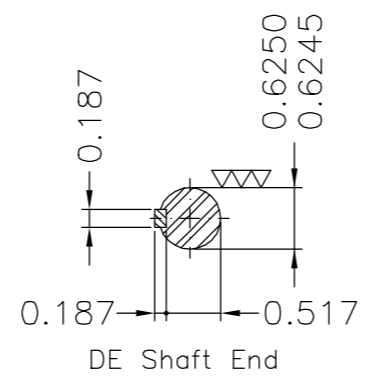
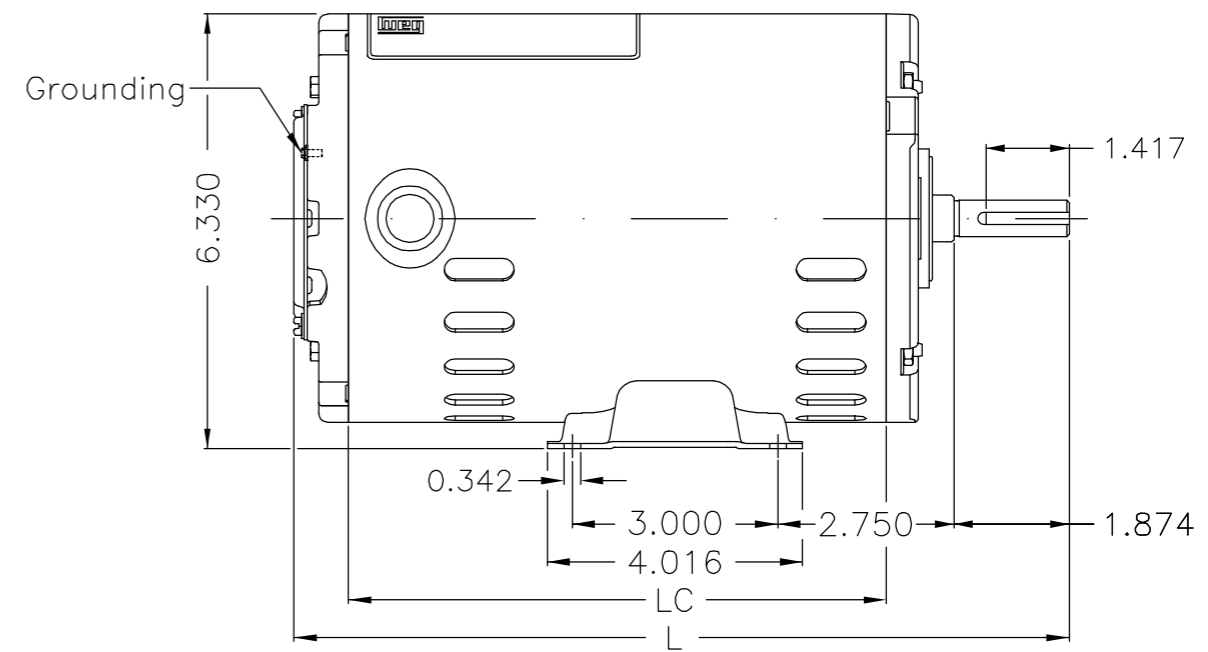
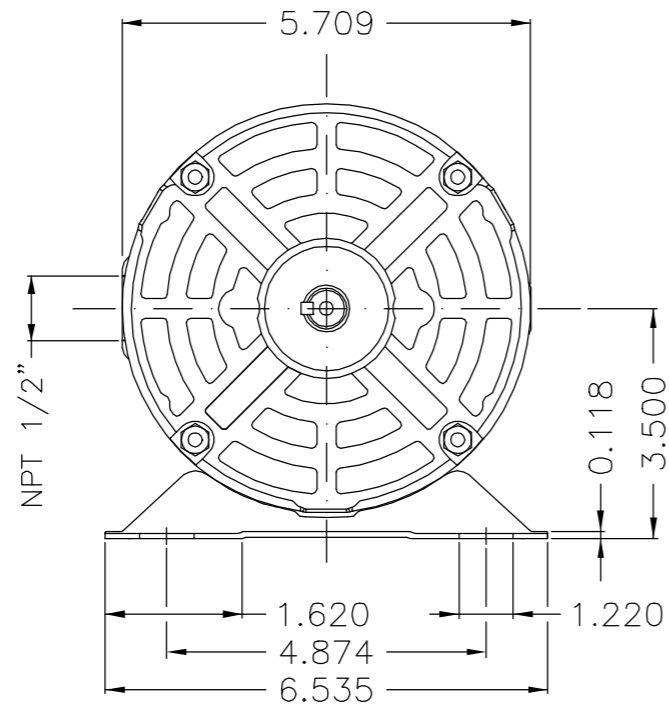
EIXO/SHAFT	
PADRÃO/STANDARD	X
OPCIONAL/OPTIONAL	
ESPECIAL/SPECIAL	

Dimensões em polegada
Dimensions in inches

CERTIFIED WEG MOTORES
Certified document.
Not subject to changes.

THIS IS AN UPDATED REVISION, THE PREVIOUS ONE MUST BE DISREGARDED.

A
B
C
D
E



Forma construtiva B3D / Mounting F-1/B3R(D)
V.J. PAMENSKY CANADA INC.

500001103090		CORRIGIDO DIMENSÃO DO PÉ	PATRICKL		RUBENSM	27.10.2015	01
500001100981		DOCUMENTO NOVO	PATRICKL		VICTORCM	21.10.2015	00
ECM	LOC	SUMMARY OF MODIFICATIONS	EXECUTED	CHECKED	RELEASED	DATE	VER
EXECUTED	PATRICKL	THREE PHASE ODP ROLLED STEEL FRAME W56		10003896803			
CHECKED				000	01		
RELEASED	VICTORCM						
REL DT	21.10.2015	WMO	Jaragua do Sul	Product Engineering	SHEET	1 / 1	

				LC	L	B
1 HP	04 Poles	60Hz	414045955	7.480	11.047	B
0.5 HP	04 Poles	60Hz	414045945	6.300	9.866	A

UNCONTROLLED COPY
RELEASED
ZME A3