

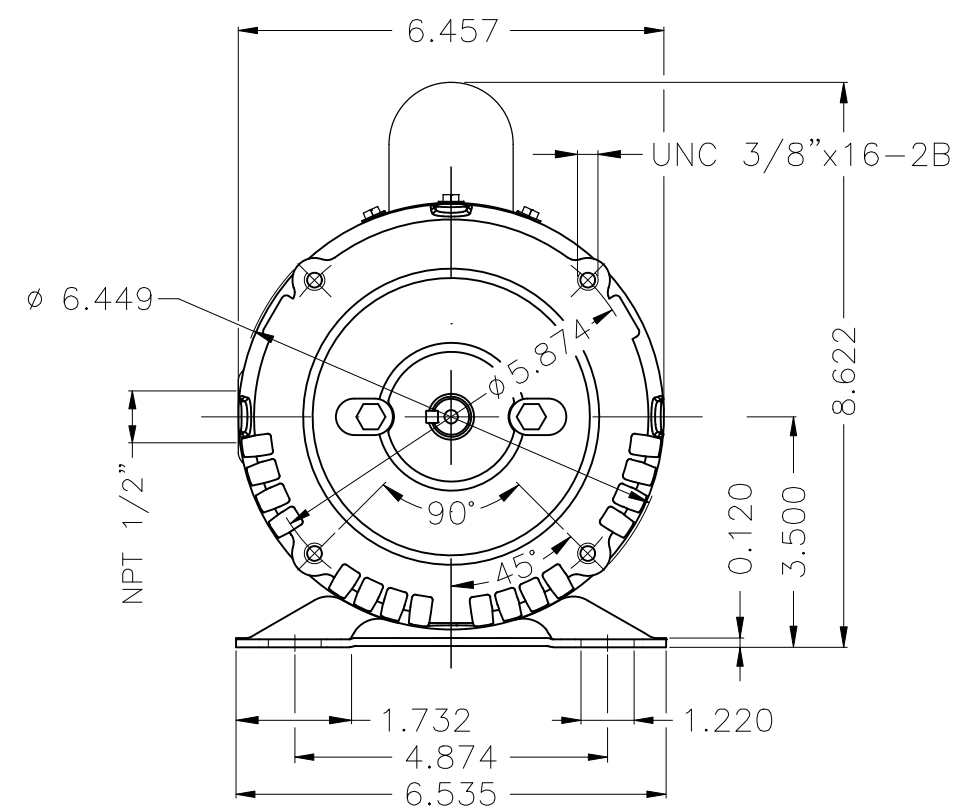
A

B

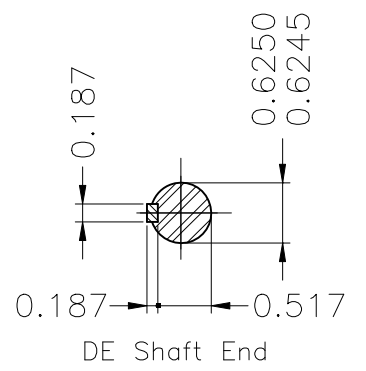
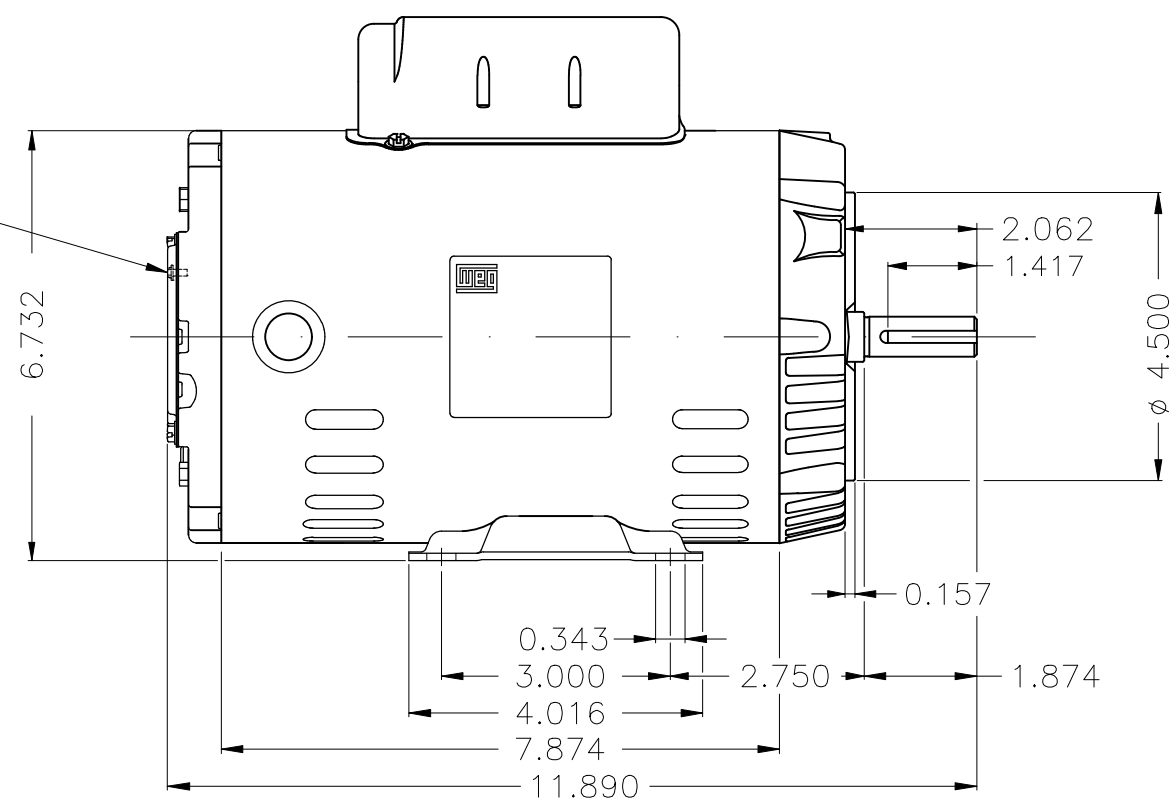
C

D

E



Grounding



Color Munsell N 1 matte black
 Painting plan 207N
 Mounting B34D

			HYBRISUSER						00
ECM	LOC	SUMMARY OF MODIFICATIONS	EXECUTED	CHECKED	RELEASED	DATE	VER		

EXECUTED	HYBRISUSER		SINGLE PH. MOTOR ROLLED STEEL FRAME 56C IP21 ODP	PREVIEW		
CHECKED				WDD	00	
RELEASED				SHEET	1 / 1	

1 HP 04 Poles 60 Hz

A REL. DATE WMO Jaragua do Sul Product Engineering SHEET 1 / 1