

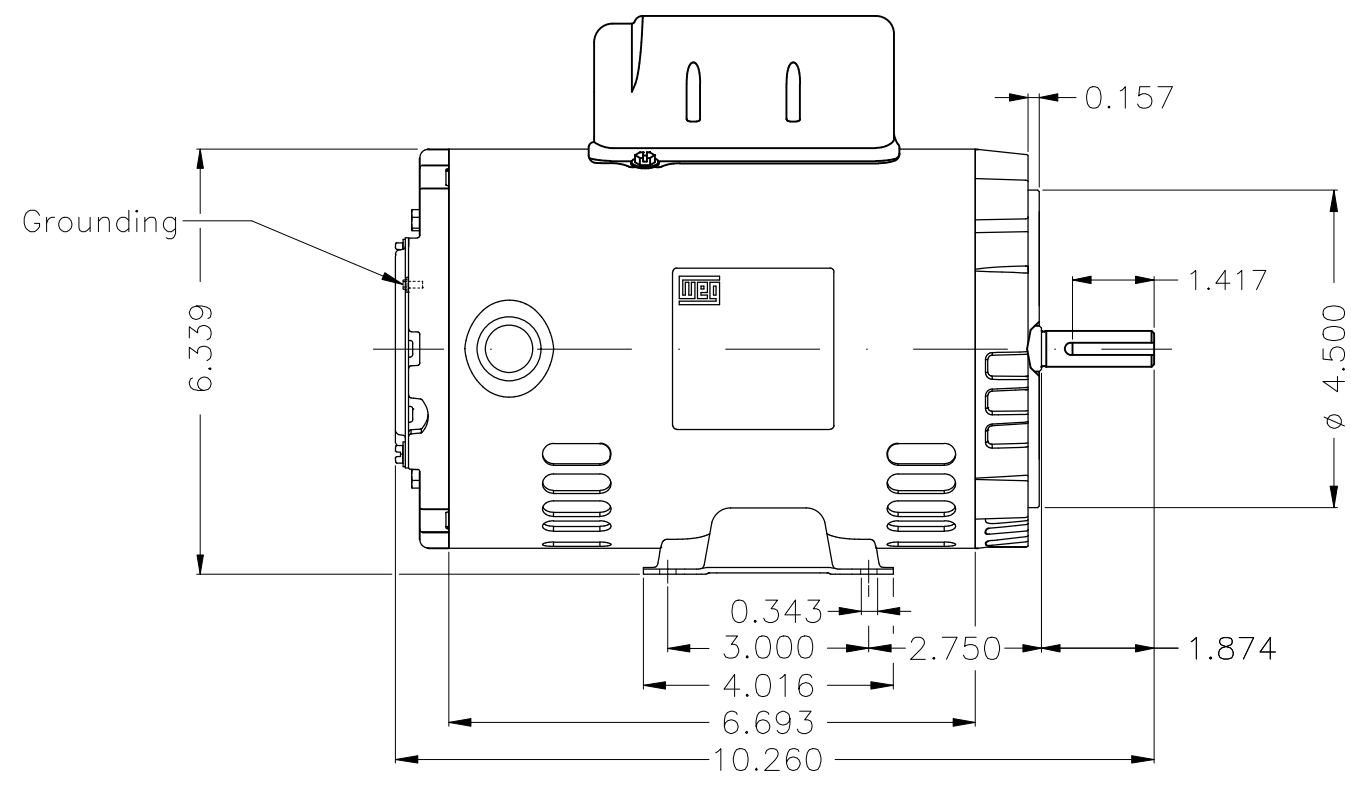
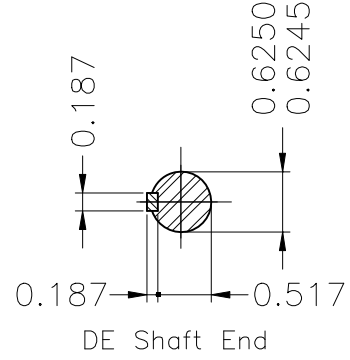
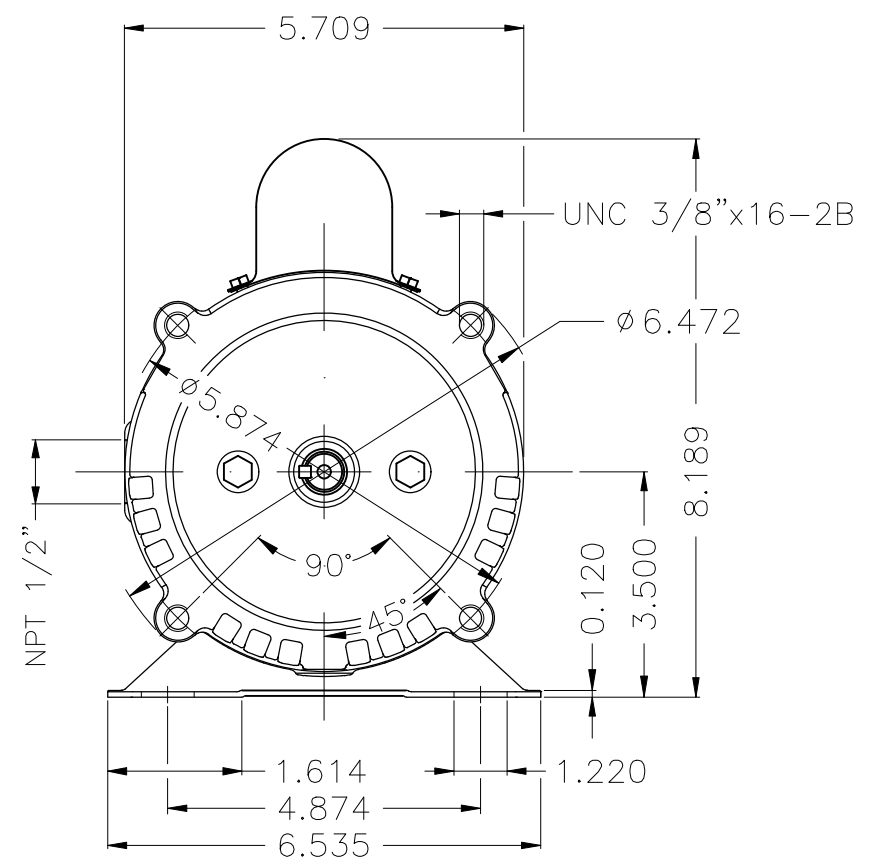
A

B

C

D

E



Color Munsell N 1 matte black												
Painting plan 207N												
Mounting B34D												
								HYBRISUSER		00		
ECM		LOC		SUMMARY OF MODIFICATIONS				EXECUTED	CHECKED	RELEASED	DATE	VER
EXECUTED		HYBRISUSER		SINGLE PH. MOTOR ROLLED STEEL				EXECUTED	CHECKED	RELEASED	DATE	VER
CHECKED				FRAME W56C IP21 ODP				EXECUTED	CHECKED	RELEASED	DATE	VER
RELEASED								EXECUTED	CHECKED	RELEASED	DATE	VER
REL. DATE				WMO Jaragua do Sul				Product Engineering	SHEET	1 / 1		

0.5 HP 02 Poles 60 Hz

A



PREVIEW
WDD 00