

No reproduction of this drawing is allowed without written permission of WEG Motores

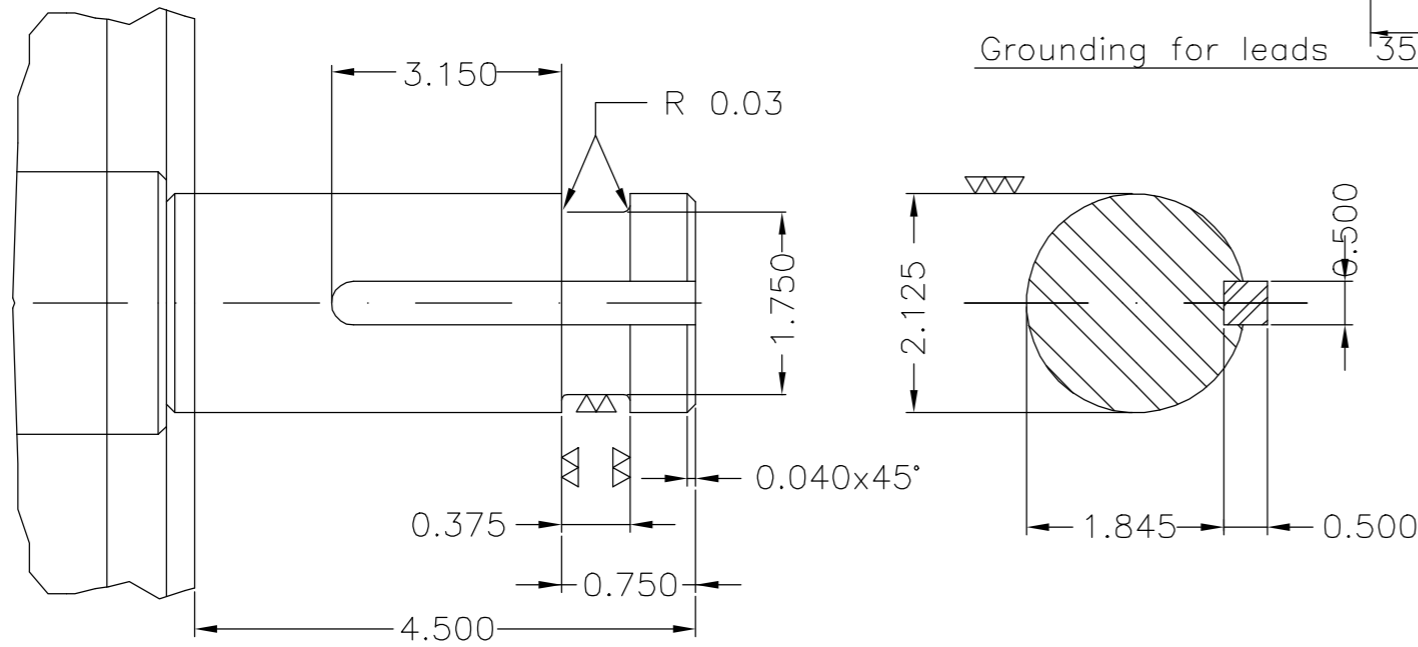
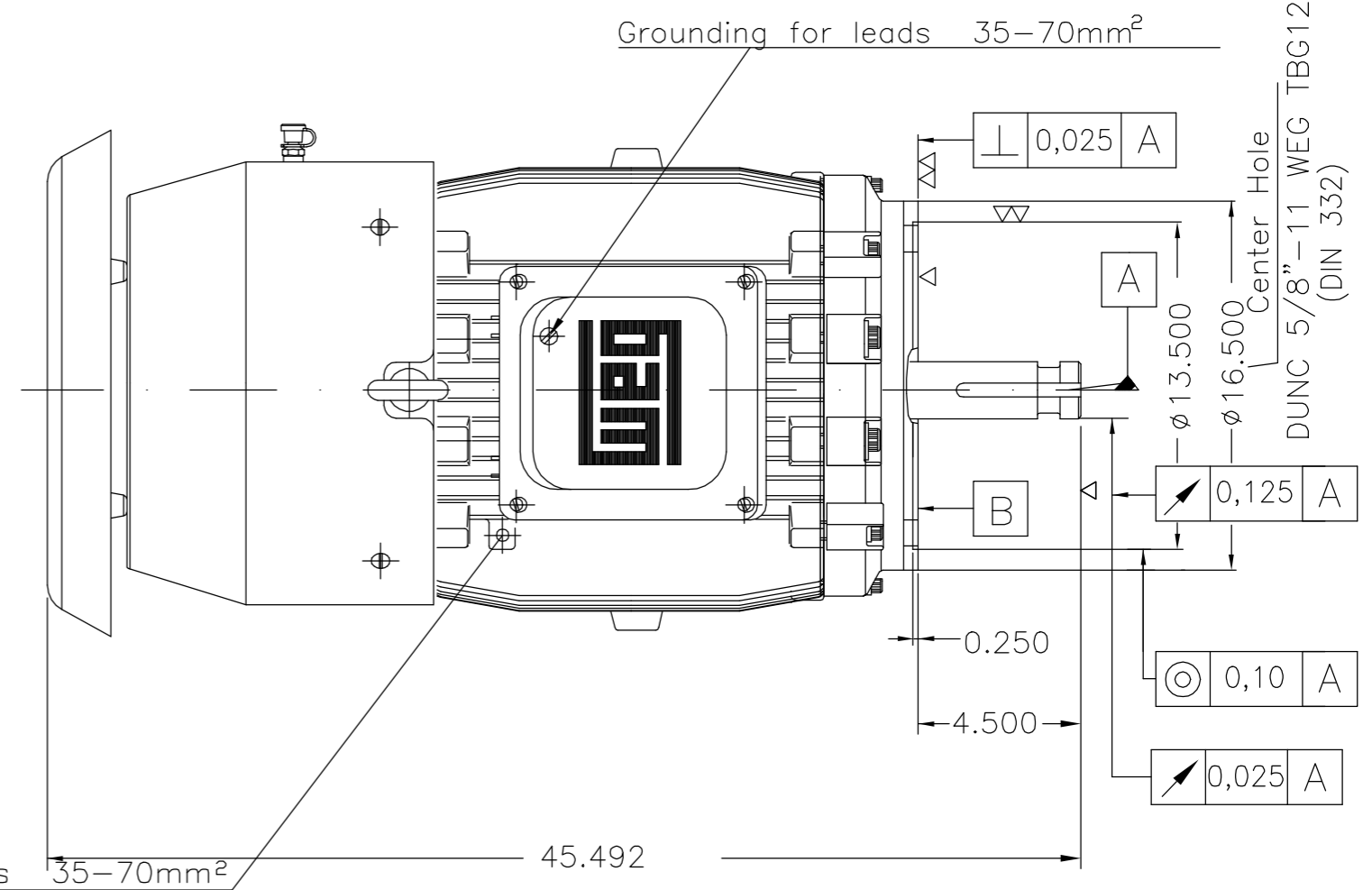
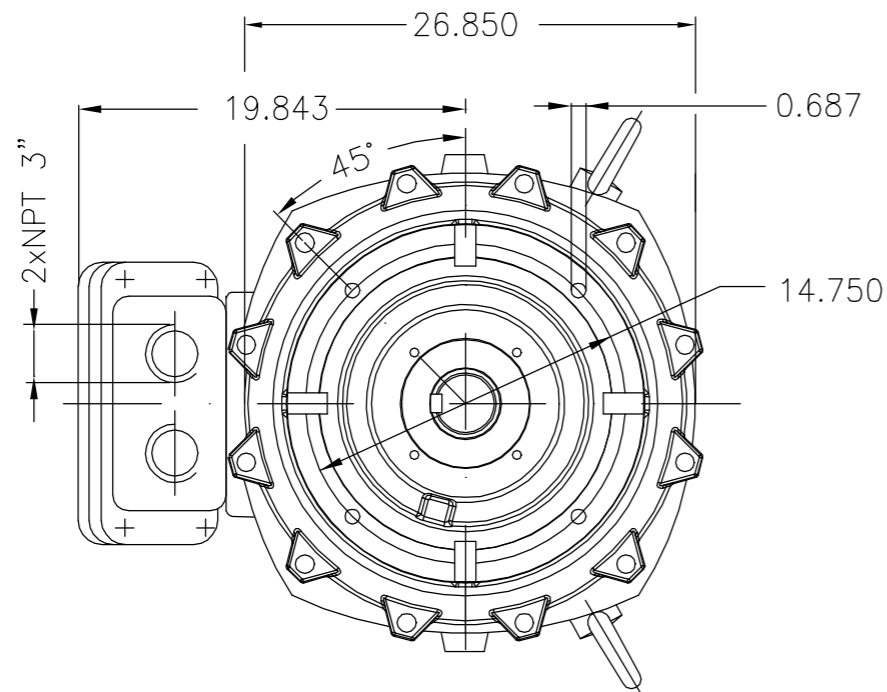
EIXO	
PADRÃO	X
OPCIONAL	
ESPECIAL	

Dimensões em polegadas
Dimensions in inches

CERTIFIED WEG MOTORES

Certified document.
Not subject to changes.

THIS IS AN UPDATED REVISION, THE PREVIOUS ONE MUST BE DISREGARDED.



Placa de identificação deve constar NEMA PREMIUM EFFICIENCY /

Nameplate shall state NEMA PREMIUM EFFICIENCY

Vedação no mancal dianteiro - retentor com mola / D.E sealing - oil seal ring

Com graxeira / With grease fitting

Vedação no mancal traseiro - retentor / NDE sealing - lip seal

Anel de fixação do rolamento / Bearing cap

Plano de pintura 203A / Painting plan 203A

Forma construtiva V1 / Mounting V1

V.J. PAMENSKY CANADA INC.

500001594952		ALTERADO CONF. CLAIM 415204042	RICLAV	DALTONR	DALTONR	24.05.2019	06
500000781691		ALT.CONFORME CLAIM 412907297	ANDERSONLB	DEISEL	DEISEL	05.08.2013	05
ECM	LOC	SUMMARY OF MODIFICATIONS	EXECUTED	CHECKED	RELEASED	DATE	VER
EXECUTED	ADRIANAP	THREE-PHASE IN LINE EXTRA THRUST MOTOR					
CHECKED	DVEGINI	FRAME 444/5LP IP55					
RELEASED	DVEGINI						
REL DT	03.06.2013	WMO	JARAGUA DO SUL	ENGENHARIA DE PRODUTO			

125 HP 04 Poles 60Hz 412838403/0 MEC.

10002299391

000 | 06

SHEET 1 / 1

