

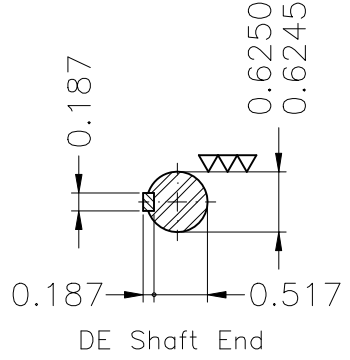
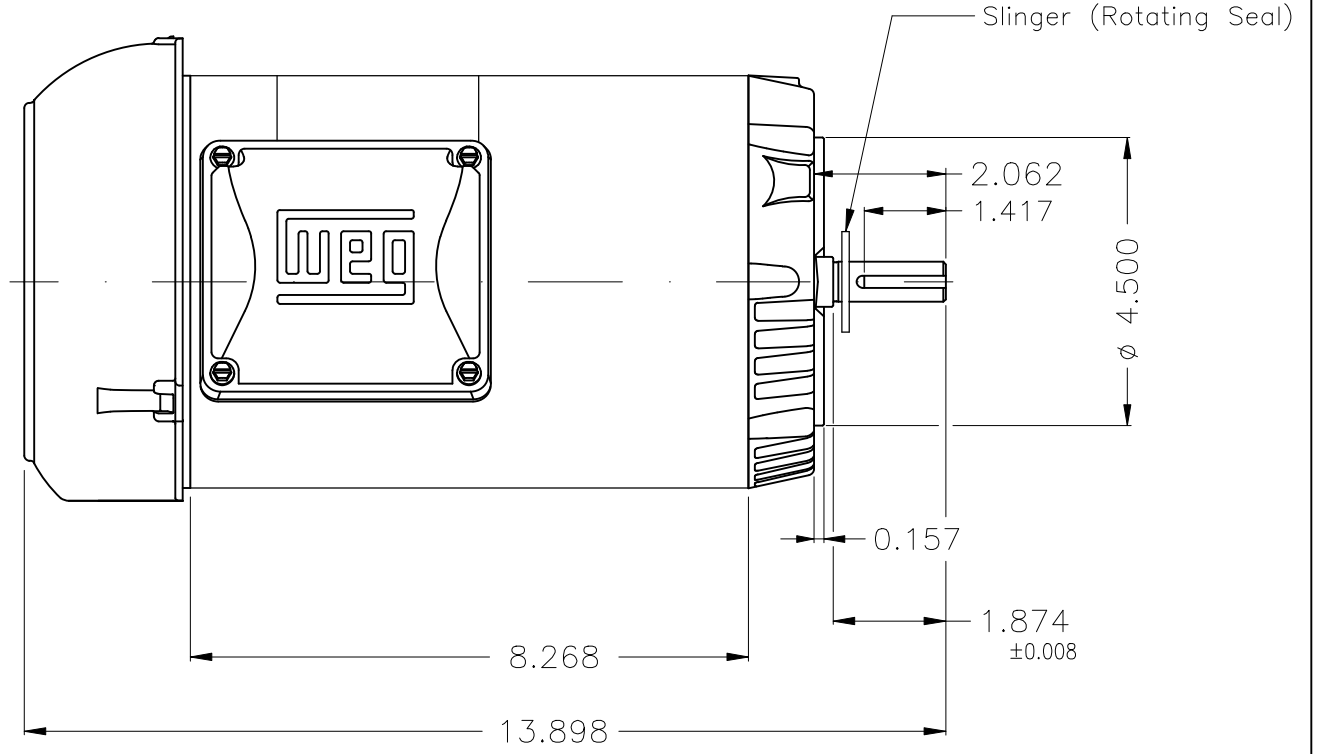
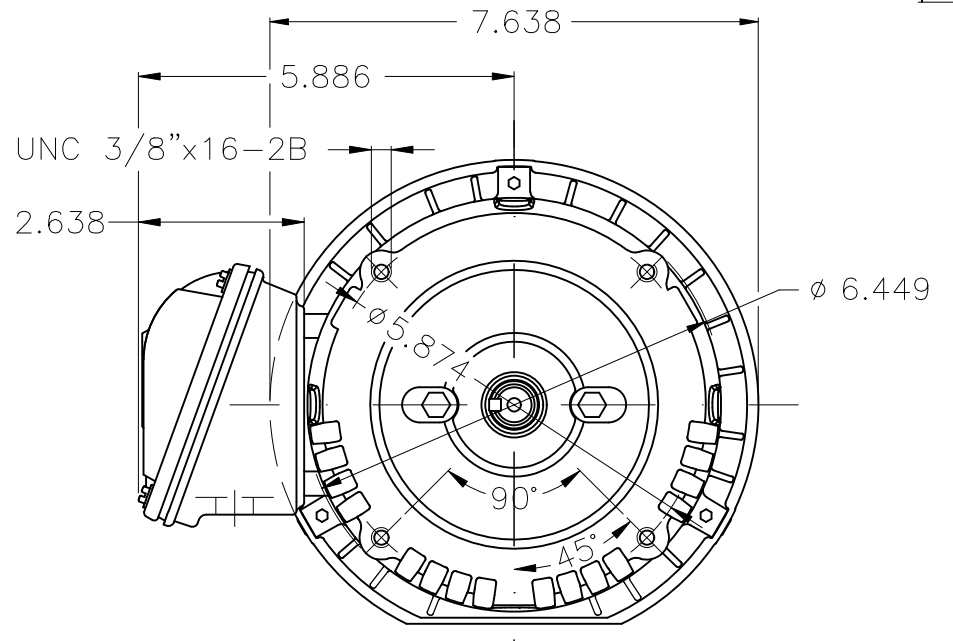
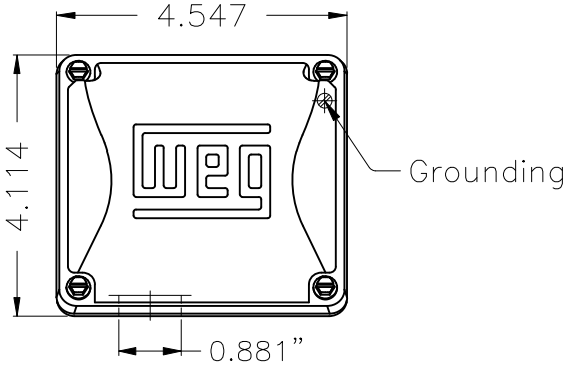
A

B

C

D

E



NDE sealing - V ring  
 Color Munsell N 1 matte black  
 Painting plan 207N  
 Mounting W-6/V18R(D)

						HYBRISUSER								00	
ECM	LOC	SUMMARY OF MODIFICATIONS				EXECUTED	CHECKED	RELEASED	DATE	VER					
EXECUTED	HYBRISUSER	THREE PH. MOTOR ROLLED STEEL JET PUMP KEYED PREM. EFF.									PREVIEW				
CHECKED		FRAME 56C IP55 TEFC									WDD 00				
RELEASED											SHEET 1 / 1				
REL. DATE		WMO	Jaragua do Sul	Product Engineering											

2 HP 02 Poles 60 Hz

A