

1 2 3 4 5 6

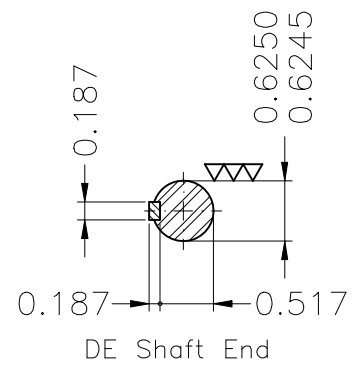
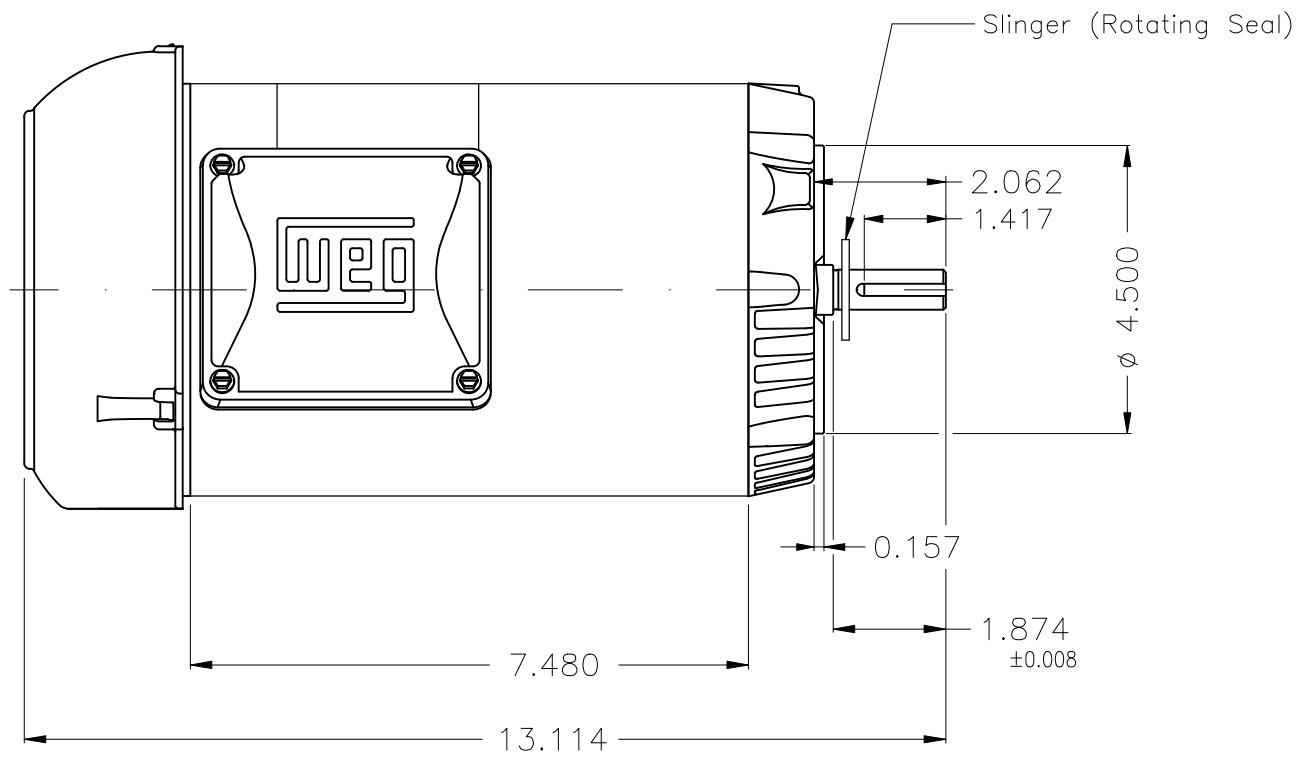
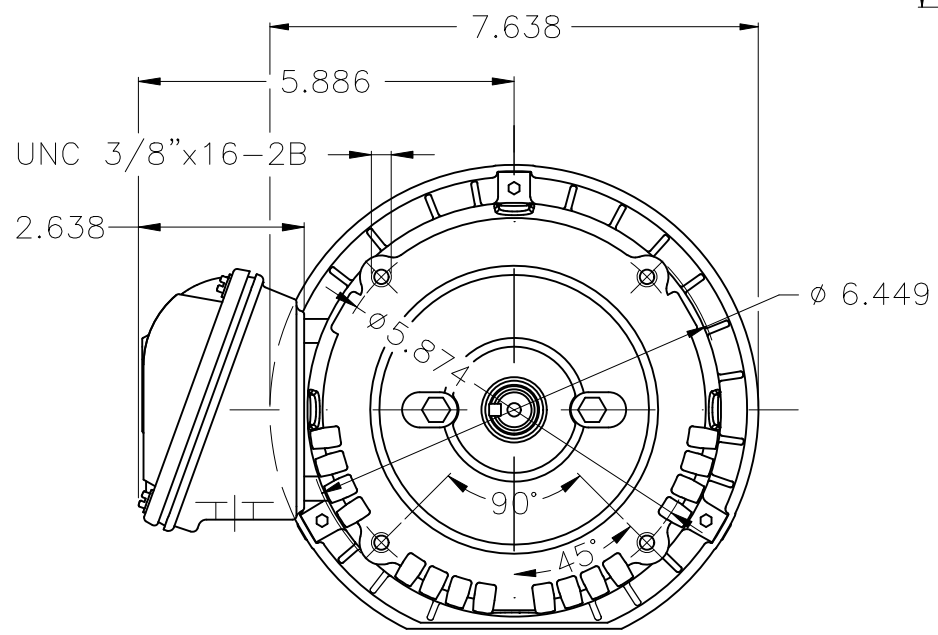
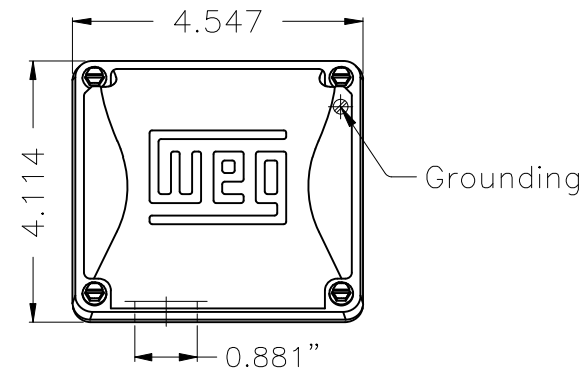
A

B

C

D

E



NDE sealing - V ring							
Color Munsell N 1 matte black							
Painting plan 207N							
Mounting W-6/V18R(D)							
HYBRISUSER				00			
ECM	LOC	SUMMARY OF MODIFICATIONS	EXECUTED	CHECKED	RELEASED	DATE	VER
EXECUTED	HYBRISUSER	THREE PH. MOTOR ROLLED STEEL JET PUMP KEYED PREM. EFF.					
CHECKED		FRAME 56C IP55 TEFC					
RELEASED							
REL. DATE		WMO Jaragua do Sul	Product Engineering	PREVIEW	WDD 00		
				SHEET	1 / 1		
1.5 HP 02 Poles 60 Hz				A			