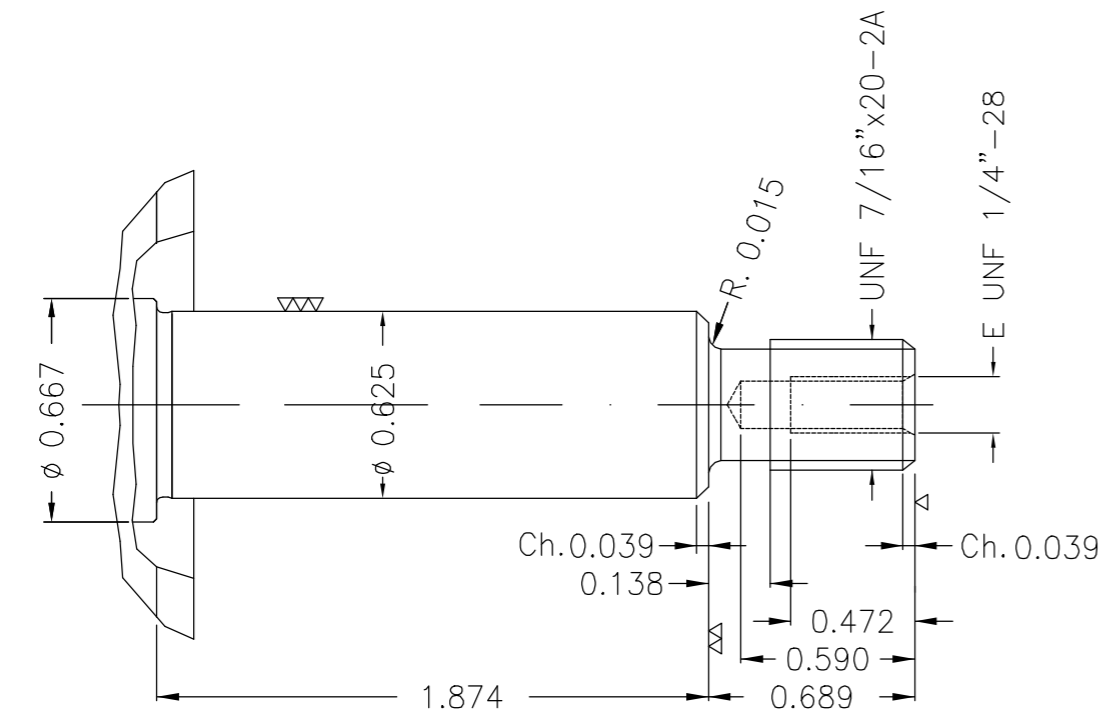
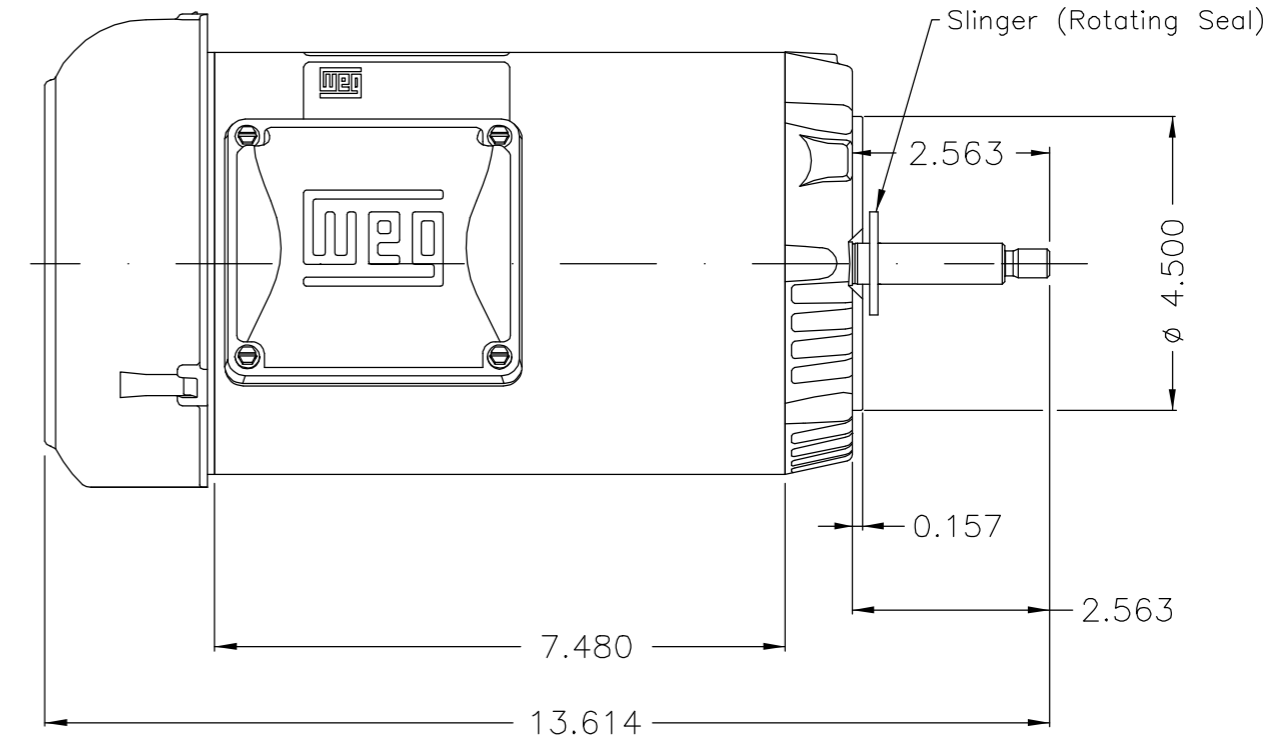
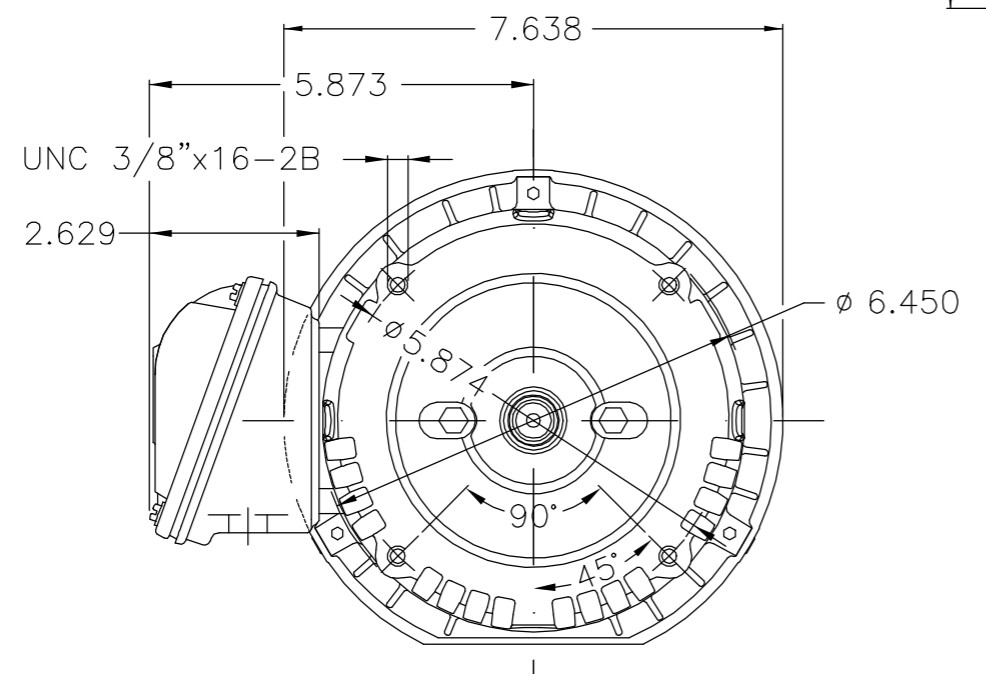
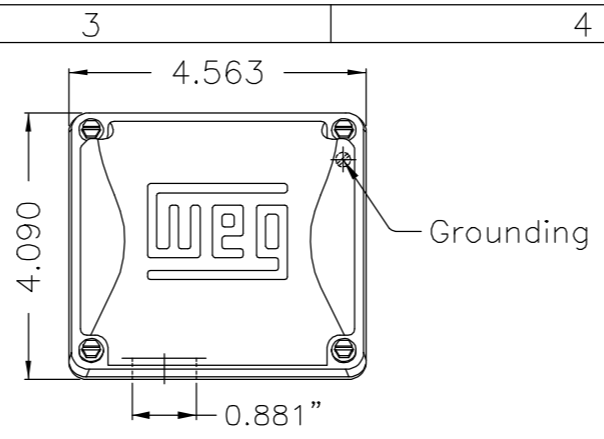


EIXO/SHAFT		Dimensões em polegada Dimensions in inches
PADRÃO/STANDARD	X	
OPCIONAL/OPTIONAL		
ESPECIAL/SPECIAL		

CERTIFIED WEG MOTORES
Certified document.
Not subject to changes.

THIS IS AN UPDATED REVISION, THE PREVIOUS ONE MUST BE DISREGARDED.



DE Shaft End

Placa de identificação com CSA / Class I, Div 2, Gr A, B, C, D - T3 (Informações conforme documento 10004351127) / Nameplate with CSA marking / Class I, Div 2, Gr A, B, C, D - T3 (Information according document 10004351127)

Forma construtiva B14D / Mounting F-1/B14R(D)
V.J. PAMENSKY CANADA INC.

500001252309		CORRIGIDO NOTA	AKLOSOWSKI	GABRIELID	08.12.2016	01
500001251759		DOCUMENTO NOVO	AKLOSOWSKI	GABRIELID	07.12.2016	00
ECM	LOC	SUMMARY OF MODIFICATIONS	EXECUTED	CHECKED	RELEASED	DATE VER
EXECUTED	AKLOSOWSKI	THREE PHASE MOTOR TEFC ROLLED STEEL FRAME 56J IP55 TEFC JET PUMP	10004648728			
CHECKED			000	01		
RELEASED	GABRIELID		SHEET 01 / 01			
REL DT	07.12.2016	WMO Jaragua do Sul	Product Engineering			

2 HP 02 Poles 60Hz 414501211 A

UNCONTROLLED COPY
RELEASED
ZME A3