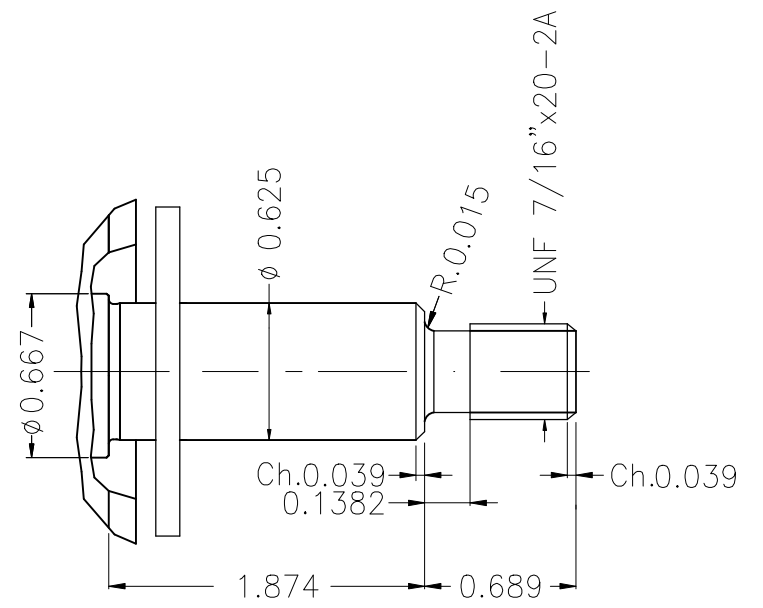
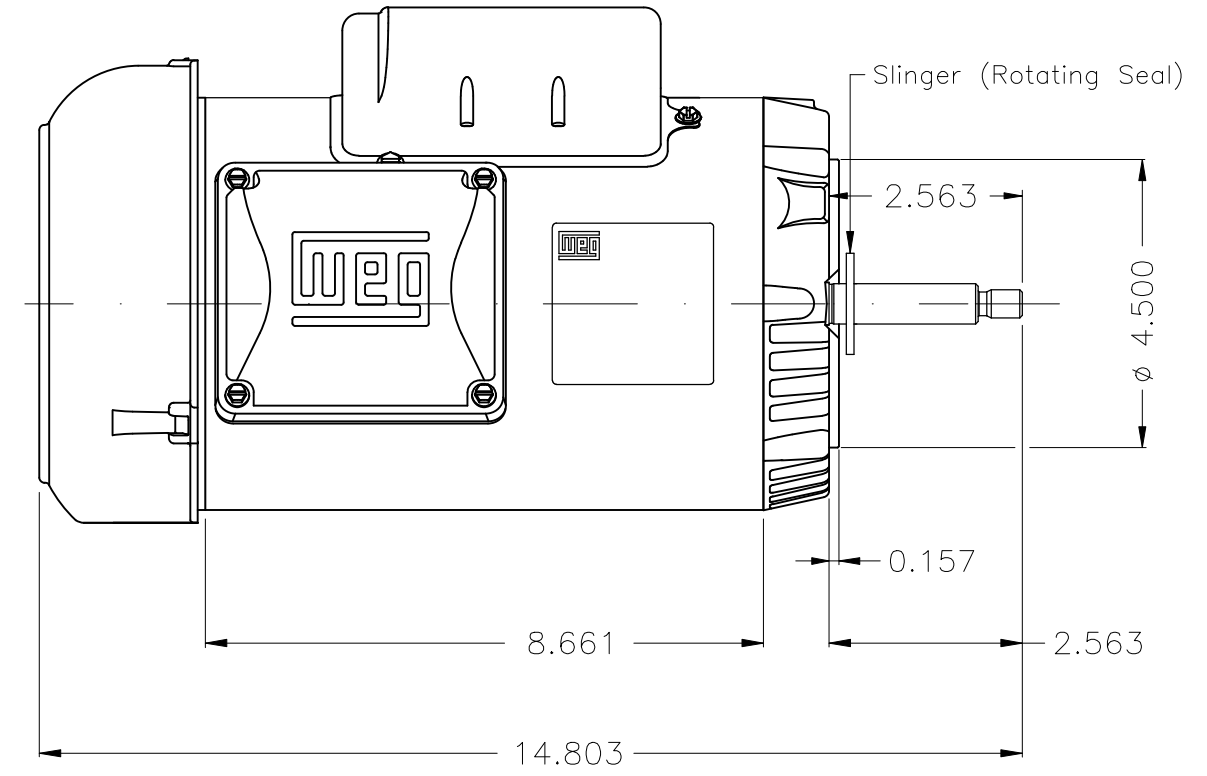
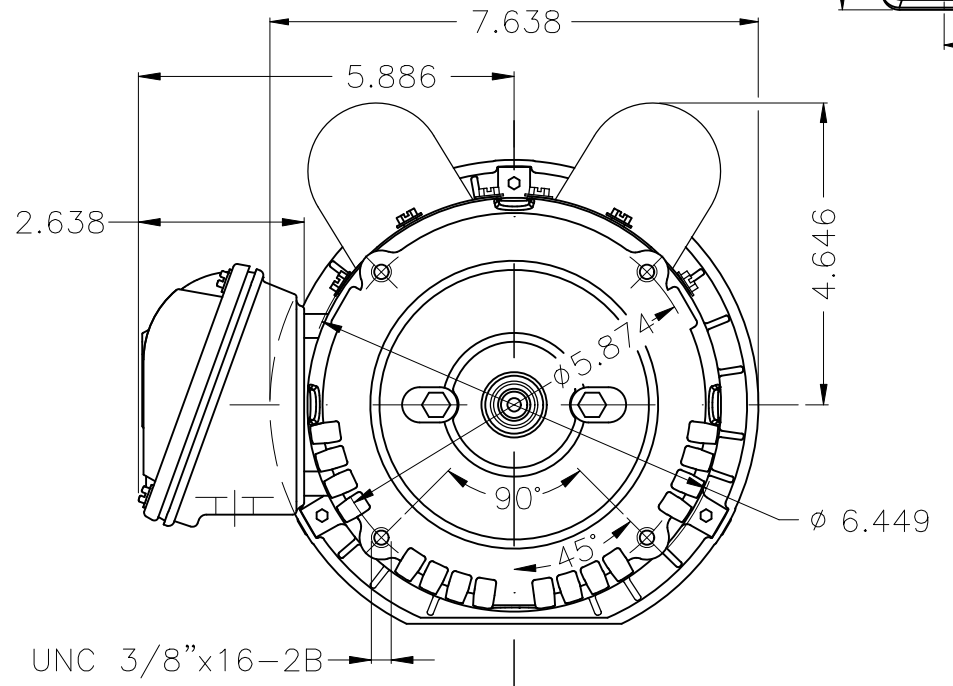
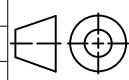




Grounding



Color Munsell N 1 matte black  
 Painting plan 207N  
 Mounting F-1/B14R(D)

ECM	LOC	SUMMARY OF MODIFICATIONS	EXECUTED	CHECKED	RELEASED	DATE	VER
EXECUTED	HYBRISUSER	 SINGLE PH. MOTOR ROLLED STEEL JET PUMP THREADED FRAME 56J IP55 TEFC					
CHECKED							
RELEASED							
REL. DATE	WMO	Jaragua do Sul	Product Engineering	WDD	00		

2 HP 02 Poles 60 Hz

A

PREVIEW

