

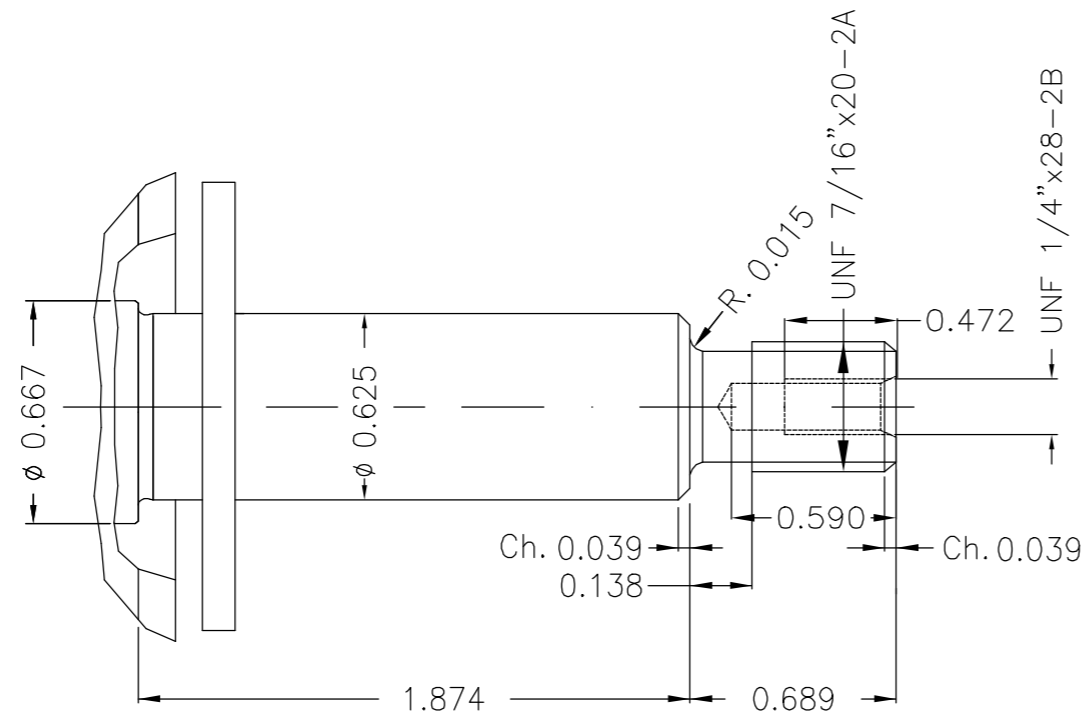
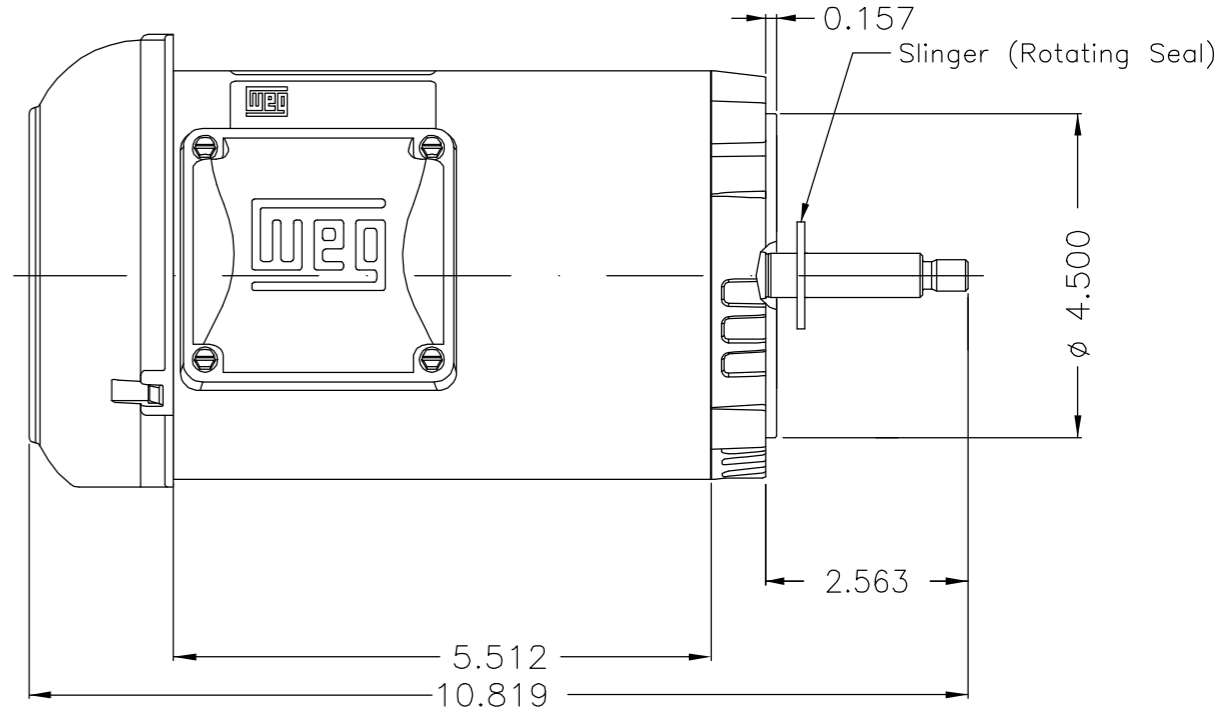
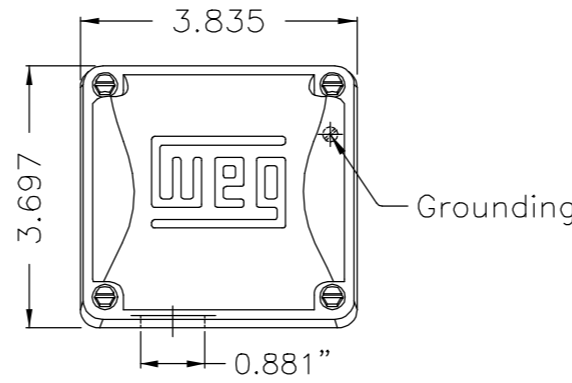
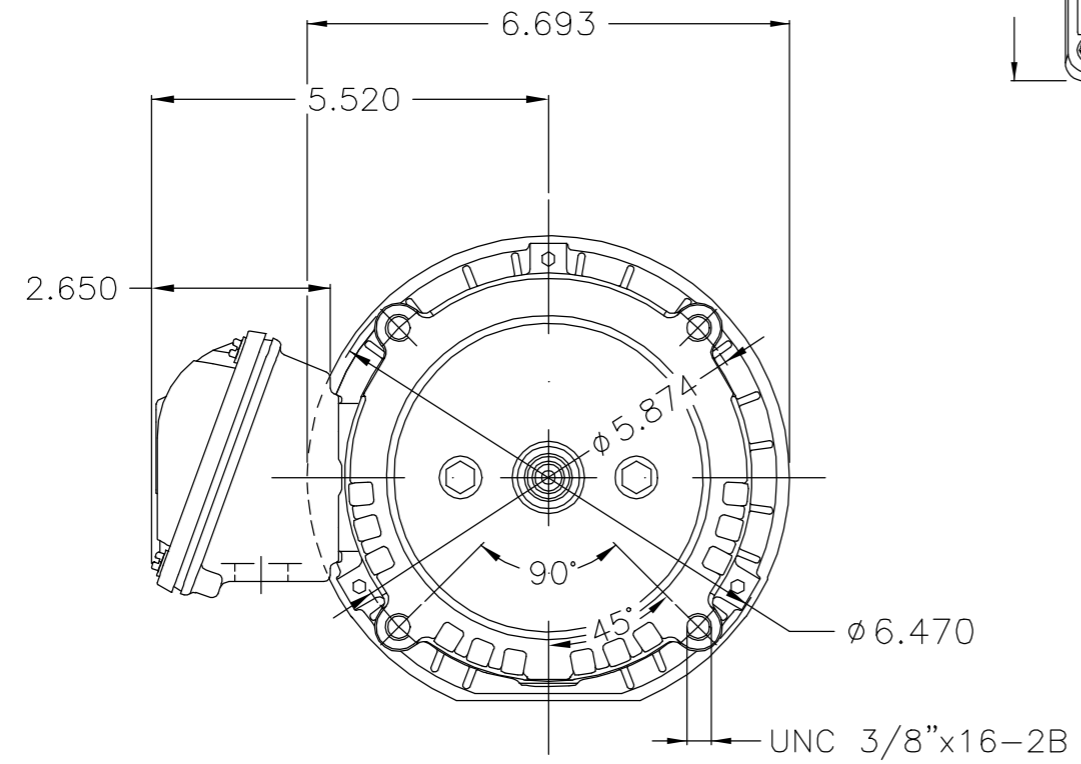
EIXO/SHAFT	
PADRÃO/STANDARD	X
OPCIONAL/OPTIONAL	
ESPECIAL/SPECIAL	

Dimensões em polegada  
Dimensions in inches

**CERTIFIED WEG MOTORES**  
Certified document.  
Not subject to changes.

THIS IS AN UPDATED REVISION, THE PREVIOUS ONE MUST BE DISREGARDED.

A  
B  
C  
D  
E



Placa de identificação com CSA / Class I, Div 2, Gr A, B, C, D - T3 (Informações conforme documento 10004351127) / Nameplate with CSA marking / Class I, Div 2, Gr A, B, C, D - T3 (Information according document 10004351127)

Forma construtiva B14D / Mounting F-1/B14R(D)  
**V.J. PAMENSKY CANADA INC.**

500001255567		CORRIGIDO FURO DE CENTRO	AKLOSOWSKI	LGAMA	16.12.2016	03
500001255567		ALTERADO CONFORME CLAIM 414509665	AKLOSOWSKI	LGAMA	16.12.2016	02
ECM	LOC	SUMMARY OF MODIFICATIONS	EXECUTED	CHECKED	RELEASED	DATE VER
EXECUTED	AKLOSOWSKI	THREE PHASE MOTOR TEFC ROLLED STEEL				10004648624
CHECKED		FRAME W56J IP55 TEFC				000   03
RELEASED	GABRIELID	JET PUMP				
REL DT	07.12.2016	WMO Jaragua do Sul	Product Engineering	SHEET	01 / 01	

0.75 HP 02 Poles 60Hz 414501106

A

UNCONTROLLED COPY  
RELEASED  
ZME A3

