

1 2 3 4 5 6

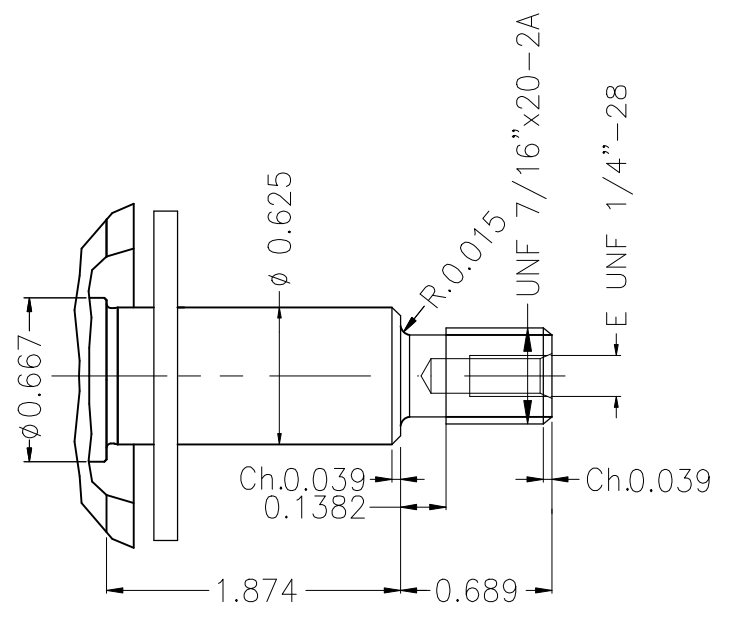
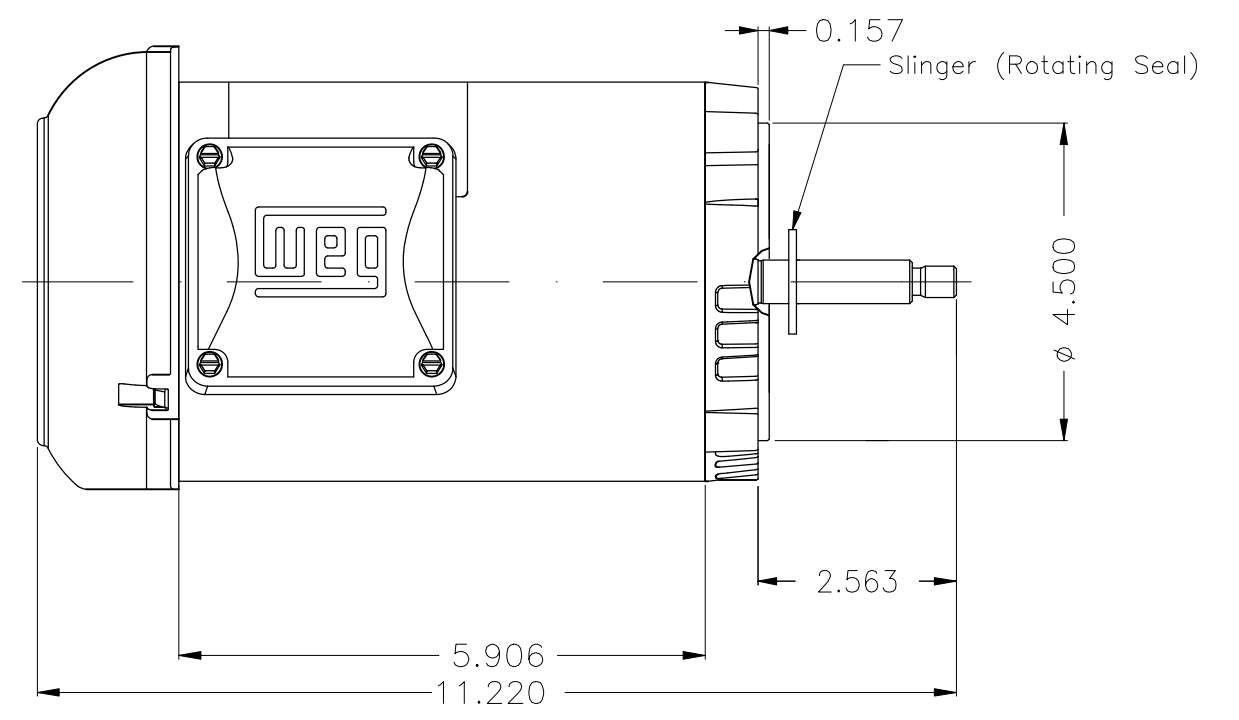
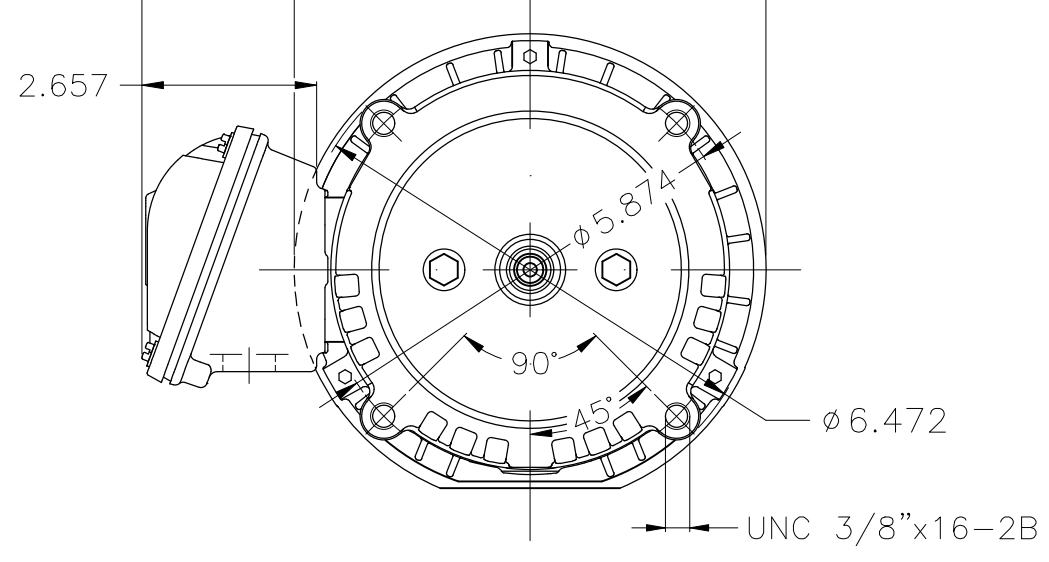
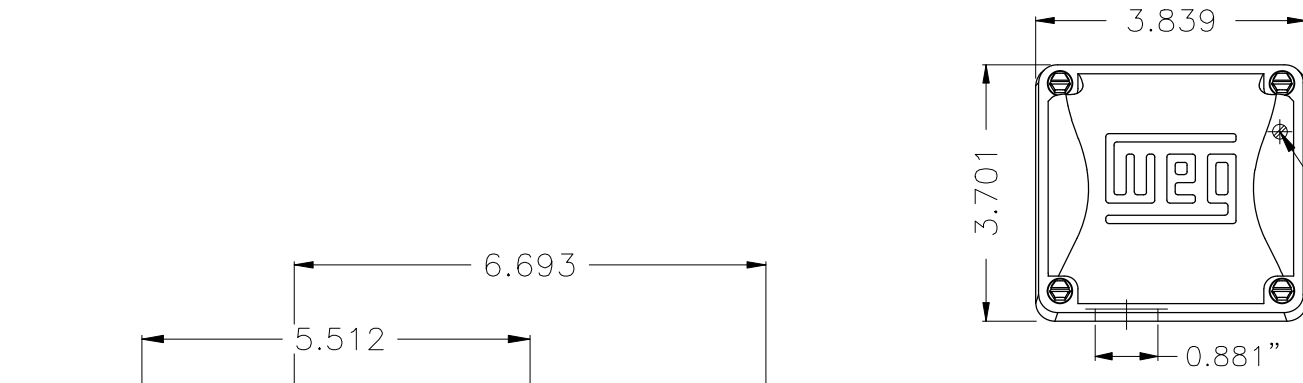
A

B

C

D

E



NDE sealing - V ring
 Color Munsell N 1 matte black
 Painting plan 207N
 Mounting W-6/V18R(D)

ECM	LOC	SUMMARY OF MODIFICATIONS	EXECUTED	CHECKED	RELEASED	DATE	VER
EXECUTED	HYBRISUSER	THREE PH. MOTOR ROLLED STEEL JET PUMP THREADED PREL. SET					00
CHECKED		FRAME W56J IP55 TEFC					
RELEASED							

0.5 HP 02 Poles 60 Hz

A REL. DATE WMO Jaragua do Sul Product Engineering SHEET 1 / 1

PREVIEW
 WDD 00

Dimensions in inches XME A3