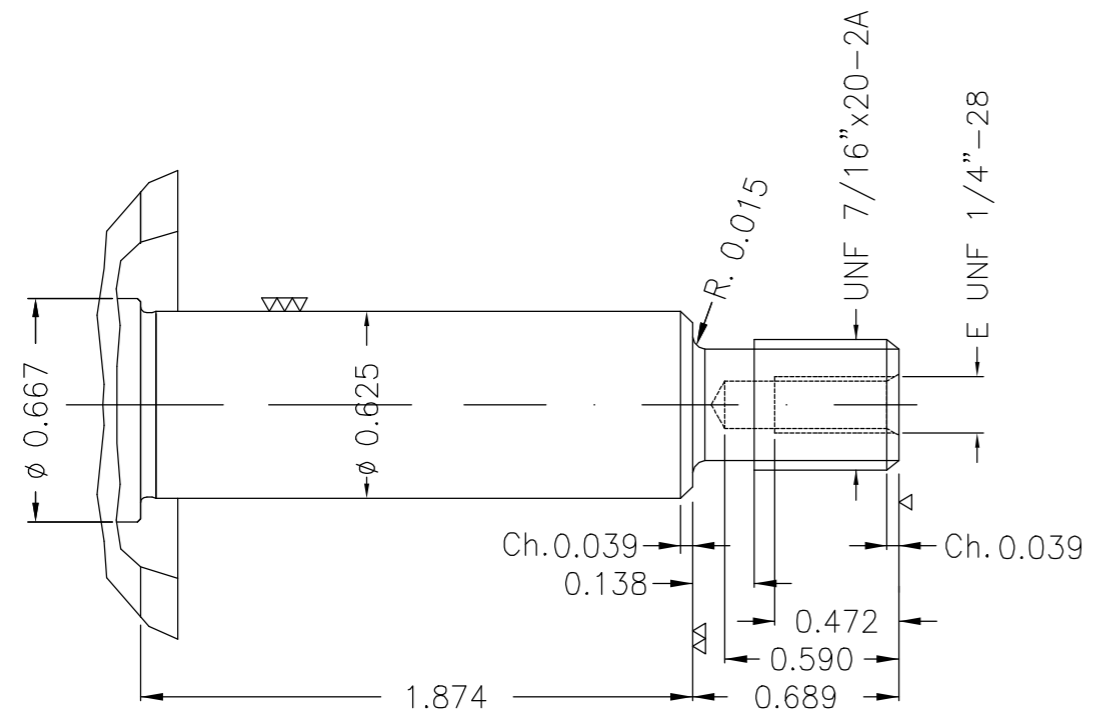
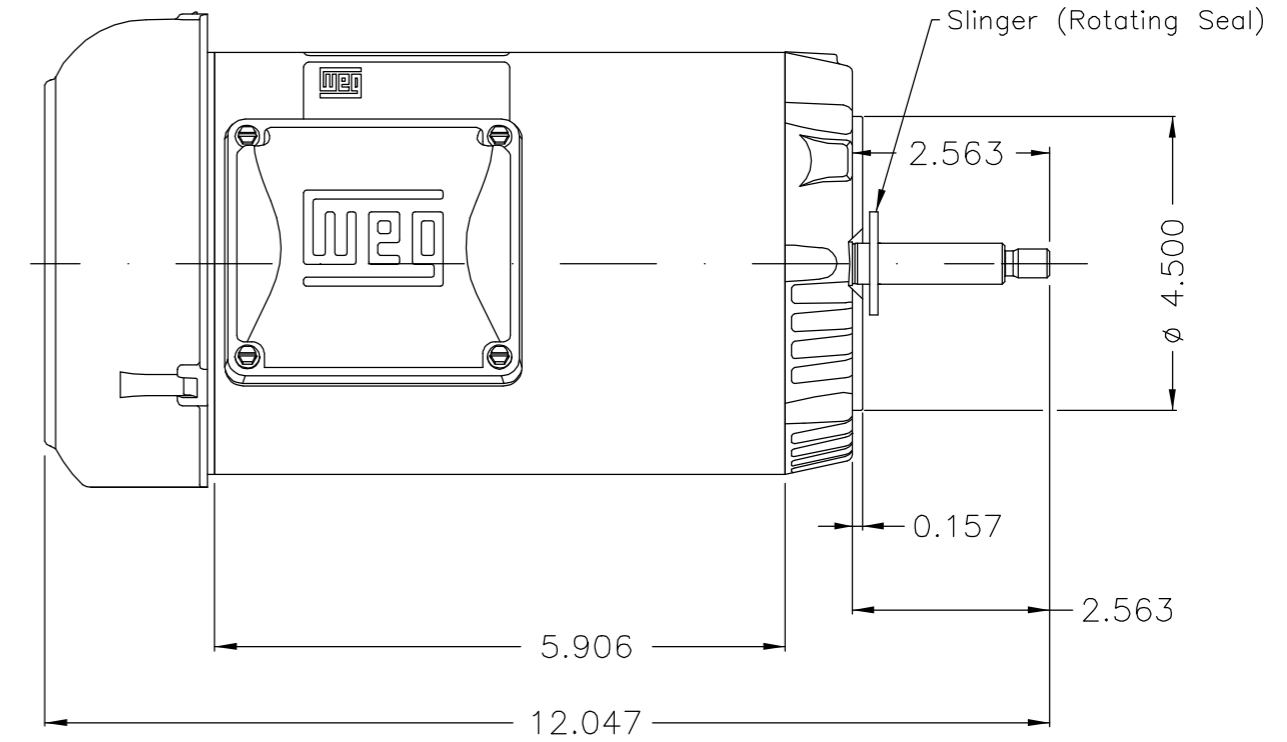
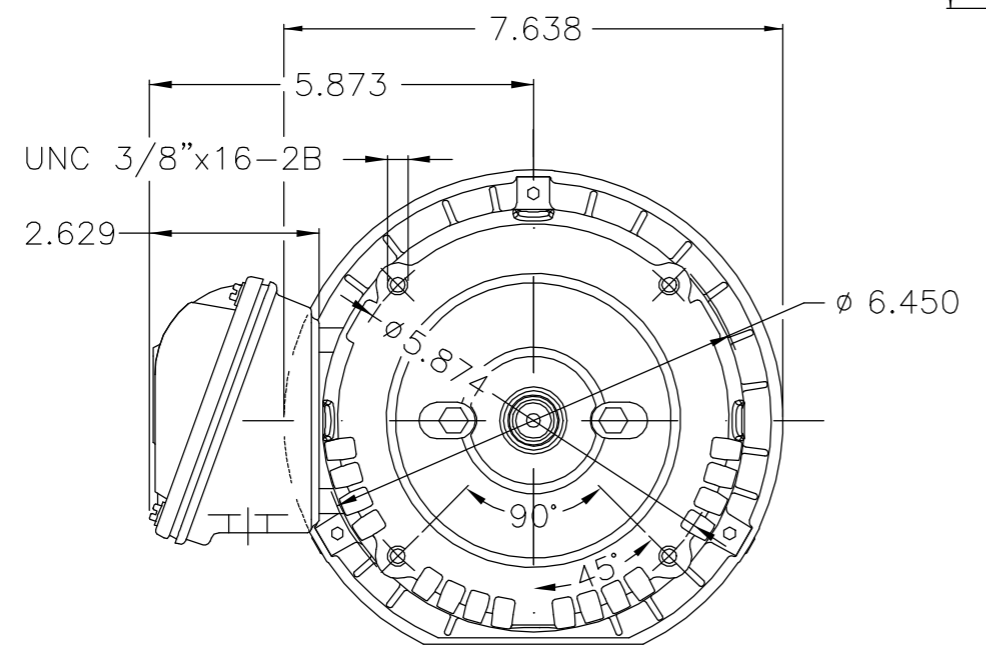
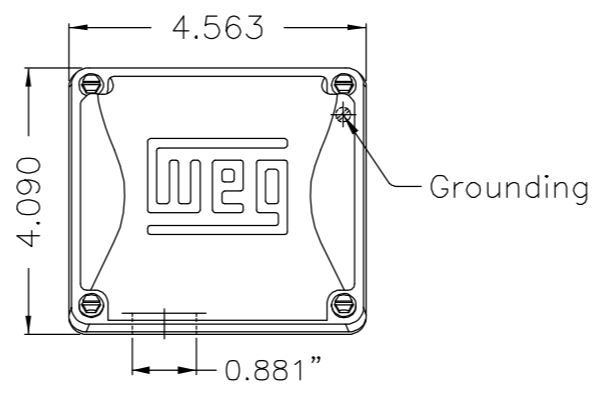


EIXO/SHAFT	
PADRÃO/STANDARD	X
OPCIONAL/OPTIONAL	
ESPECIAL/SPECIAL	

Dimensões em polegada
Dimensions in inches

**CERTIFIED
WEG MOTORES**
Certified document.
Not subject to changes.

THIS IS AN UPDATED REVISION, THE
PREVIOUS ONE MUST BE DISREGARDED.



D.E Shaft End

Placa de identificação com CSA / Class I, Div 2, Gr A, B, C, D - T3 (Informações conforme documento 10004351127) / Nameplate with CSA marking / Class I, Div 2, Gr A, B, C, D - T3 (Information according document 10004351127)
 Cor Munsell N 1 preto fosco / Color Munsell N 1 matte black
 Plano de pintura 207N / Painting plan 207N
 Forma construtiva B14D / Mounting F-1/B14R(D)

V.J. PAMENSKY CANADA INC.

500001252309		ALTERADO CONFORME CLAIM 414502648	AKLOSOWSKI	GABRIELID	08.12.2016	01
500001251328		DOCUMENTO NOVO	GABRIELID	AKLOSOWSKI	06.12.2016	00
ECM	LOC	SUMMARY OF MODIFICATIONS	EXECUTED	CHECKED	RELEASED	DATE VER
EXECUTED	GABRIELID	THREE PHASE MOTOR TEFC ROLLED STEEL FRAME 56J IP55 TEFC JET PUMP	10004646262			
CHECKED			000	01		
RELEASED	AKLOSOWSKI					
REL DT	06.12.2016	WMO Jaragua do Sul	Product Engineering	SHEET	1 / 1	

0.5 HP 02 Poles 60Hz 414499427/0

UNCONTROLLED COPY

RELEASED

ZME A3